

MASI68 DI4/0,18A 4xM8

Art.No.: 56435

Weight: 0.090 kg

Country of origin: CZ

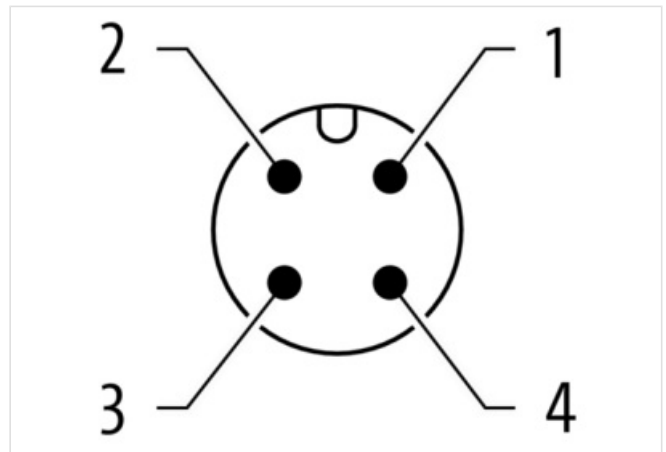
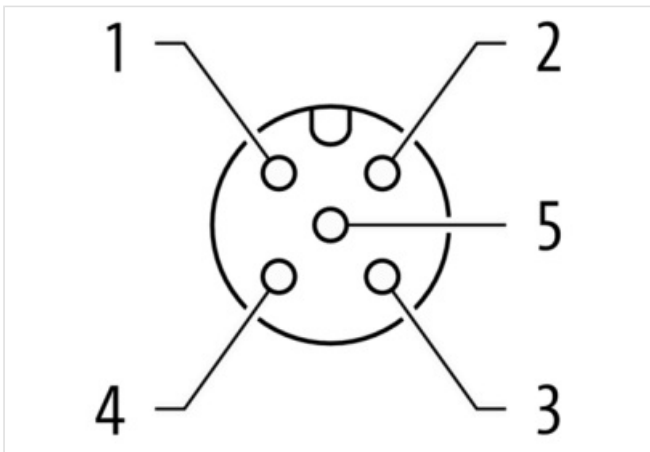
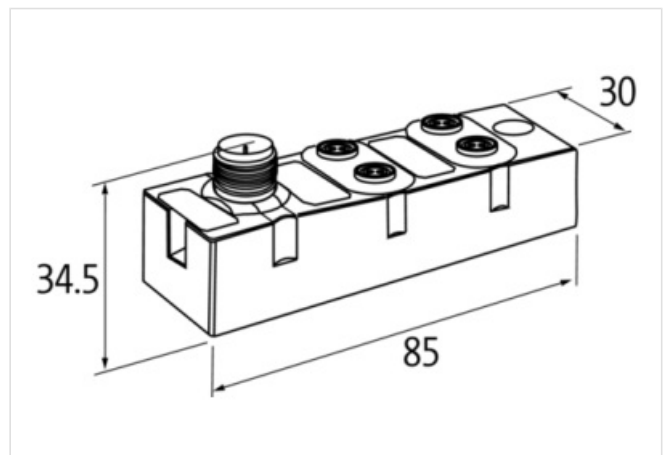
Model designation: MASI68 DI4/0,18A 4xM8

Compact module

DI4 - 0.2 A (C) - 4x M8

Connection cables are in the online shop under "Connection Technology".

Housing fully potted.

Link to Product**Illustration**

Product may differ from Image

**Commercial data**

URL Webshop	https://shop.murrelektronik.com/56435
GTIN	4048879048828
Customs tariff number	85176200
ECLASS-6.0	27242604

ECLASS-6.1	27242604
ECLASS-7.0	27242604
ECLASS-7.1	27242604
ECLASS-8.0	27242604
ECLASS-8.1	27242604
ECLASS-9.0	27242604
ECLASS-9.1	27242604
ECLASS-10.0.1	27242604
ECLASS-10.1	27242604
ECLASS-11.0	27242604
ECLASS-11.1	27242604
ECLASS-12.0	27242604
ECLASS-13.0	27242604
ECLASS-14.0	27242604
ETIM-5.0	EC001599
ETIM-6.0	EC001599
ETIM-7.0	EC001599
ETIM-8.0	EC001599
customs tariff number	85176200
EAN	4048879048828
Packaging unit	1

Electrical data | Supply

Bus voltage AS-Interface DC min.	26,5 V
Bus voltage AS-Interface DC max.	31,6 V
Current consumption AS-i port max.	25 mA

Electrical data | Input

Current carrying capacity max.	0,18 A
Short-circuit protected	Yes
Overload resistant	Yes
Type input	for 3-wire sensors or mechanical switches, PNP

Industrial communication | Bus data

Address setting type	M12 connection and programming device, Master
Slave address range	(0), 1 ...

Industrial communication | AS-Interface

Profile (IO.ID.ID2)	S-0.0.0
---------------------	---------

Diagnostics

Diagnostic	No voltage
Diagnostic via LED	per module
LED display	Ethernet connection/data traffic

Device protection | Electrical

Degree of protection (EN IEC 60529)	IP68
-------------------------------------	------

Mechanical data | Mounting data

Height	85 mm
Width	30 mm
Depth	34,5 mm
Mounting method	screwed

Environmental characteristics | Climatic

Operating temperature min.	-20 °C
Operating temperature max.	60 °C
Ambient temperature (storage, transport)	-20 °C ... 70 °C

Connection type 2

Connection type 1	R
Connection type 2	without AUX
Family construction form	M8
No. of poles	3
Coding	A
Gender	female
Color contact carrier	black
PIN 1	Usens +
PIN 3	Usens -
PIN 4	DI
Family construction form	M12
No. of poles	4
Coding	A
Gender	male
Color contact carrier	black
PIN 1	AS-i +
PIN 2	n.c.
PIN 3	AS-i -
PIN 4	n.c.