

**MASI68 I/O EXTENSION MODULE**

8 digital inputs

Art.No.: 56426

Weight: 0.216 kg

Country of origin: CZ

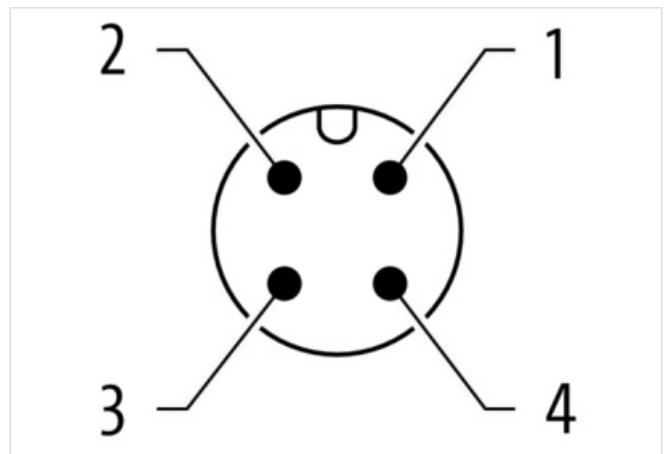
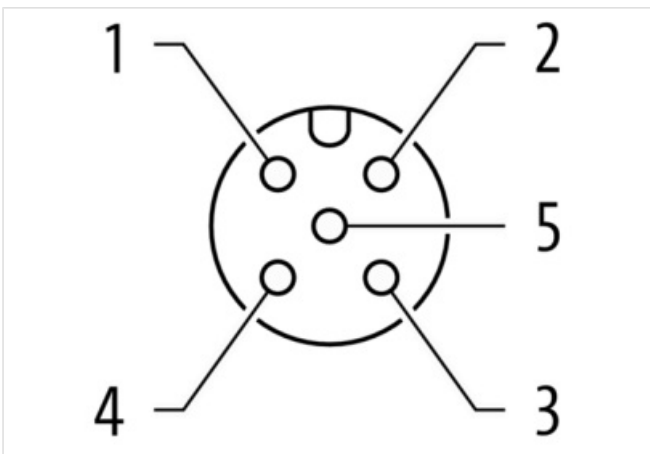
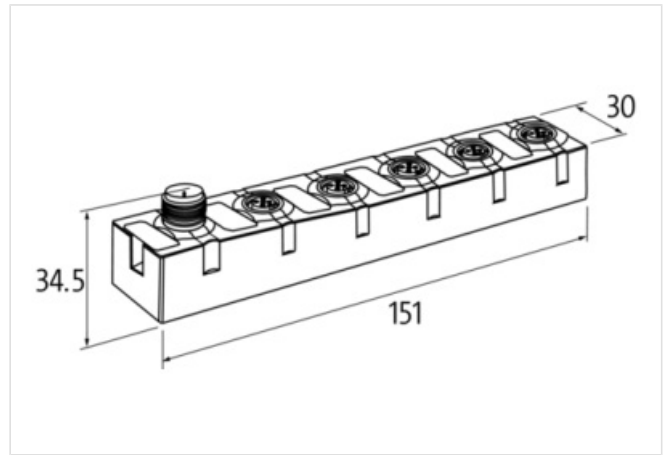
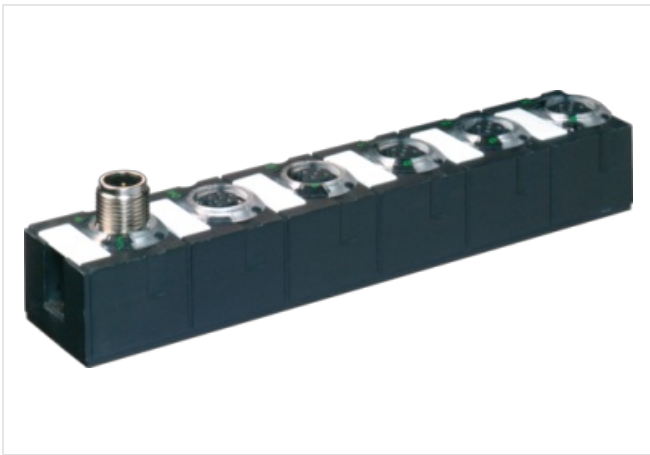
Model designation: MASI68 DI8/0,2A AB E 4xM12

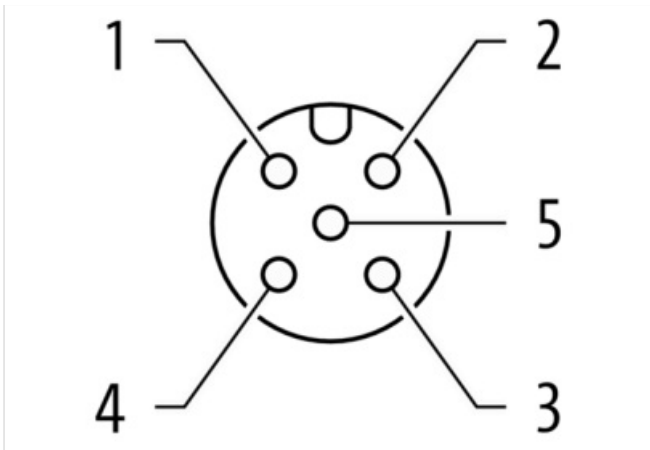
Expansion module

DI8 - 0.19 A (E) - 4× M12 (AB)

Connection cables are in the online shop under "Connection Technology".

Housing fully potted.

[Link to Product](#)**Illustration**



Product may differ from Image

**Commercial data**

URL Webshop	<a href="https://shop.murrelektronik.com/56426">https://shop.murrelektronik.com/56426</a>
GTIN	4048879048880
Customs tariff number	85176200
ECLASS-6.0	27242604
ECLASS-6.1	27242604
ECLASS-7.0	27242604
ECLASS-7.1	27242604
ECLASS-8.0	27242604
ECLASS-8.1	27242604
ECLASS-9.0	27242604
ECLASS-9.1	27242604
ECLASS-10.0.1	27242604
ECLASS-10.1	27242604
ECLASS-11.0	27242604
ECLASS-11.1	27242604
ECLASS-12.0	27242604
ECLASS-13.0	27242604
ECLASS-14.0	27242604
ETIM-5.0	EC001599
ETIM-6.0	EC001599
ETIM-7.0	EC001599
ETIM-8.0	EC001599
customs tariff number	85176200
EAN	4048879048880
Packaging unit	1

**Electrical data | Supply**

Bus voltage AS-Interface DC min.	26,5 V
Bus voltage AS-Interface DC max.	31,6 V
Current consumption AS-i port max.	250 mA

**Electrical data | Input**

Current carrying capacity max.	0,19 A
Short-circuit protected	Yes

Overload resistant	Yes
Type input	for 3-wire sensors or mechanical switches, PNP
<b>Industrial communication   Bus data</b>	
Address setting type	M12 connection and programming device, Master
Slave address range	(0), 1 A...31 A, 1 B...31 B
<b>Industrial communication   AS-Interface</b>	
Profile (IO.ID.ID2)	2× S-0.A.2
<b>Diagnostics</b>	
Diagnostic	No voltage
Diagnostic via LED	per module
LED display	Ethernet connection/data traffic
<b>Device protection   Electrical</b>	
Degree of protection (EN IEC 60529)	IP68
<b>Mechanical data   Mounting data</b>	
Height	151 mm
Width	30 mm
Depth	34,5 mm
Mounting method	screwed
<b>Environmental characteristics   Climatic</b>	
Operating temperature min.	-20 °C
Operating temperature max.	60 °C
Ambient temperature (storage, transport)	-20 °C ... 70 °C
<b>Connection type 3</b>	
Connection type 1	A-D
Connection type 2	Bus In
Connection type 3	Bus Out
Family construction form	M12
No. of poles	5
Coding	A
Gender	female
Color contact carrier	black
PIN 1	Usens +
PIN 2	DI
PIN 3	Usens -
PIN 4	DI
PIN 5	n.c.
Family construction form	M12
No. of poles	4
Coding	A
Gender	male
Color contact carrier	black
PIN 1	AS-i +
PIN 2	0 V
PIN 3	AS-i -
PIN 4	24 V DC
Family construction form	M12
No. of poles	5
Coding	A
Gender	female
Color contact carrier	black
PIN 1	AS-i +

PIN 2	0 V
PIN 3	AS-i -
PIN 4	24 V DC
PIN 5	n.c.