

MASI68 I/O EXTENSION MODULE

4 digital inputs

Art.No.: 56425

Weight: 0.162 kg

Country of origin: CZ

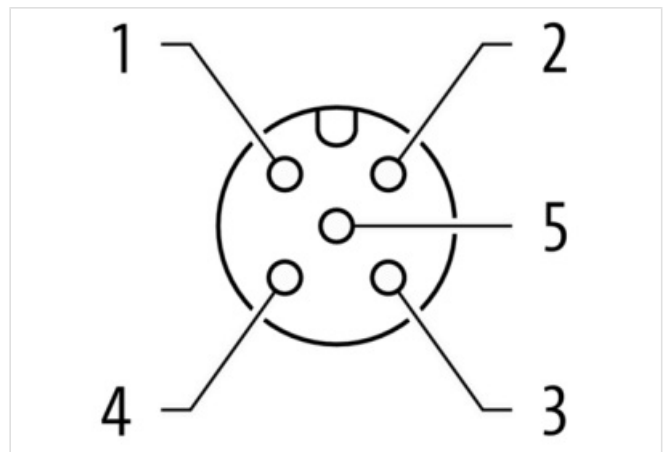
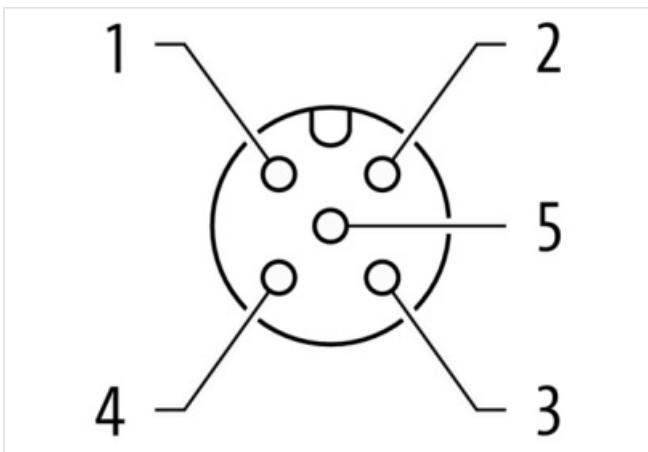
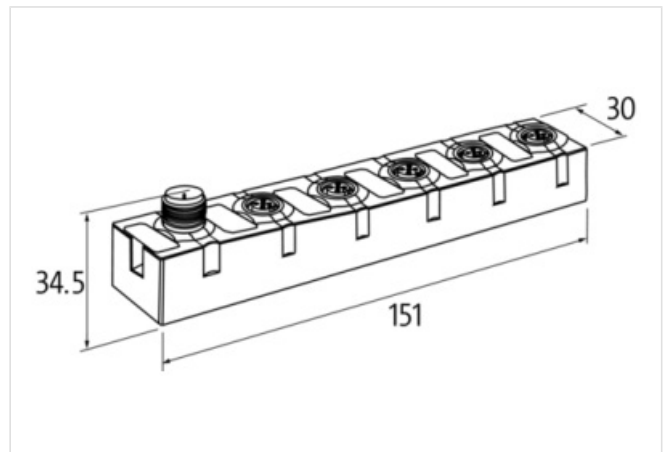
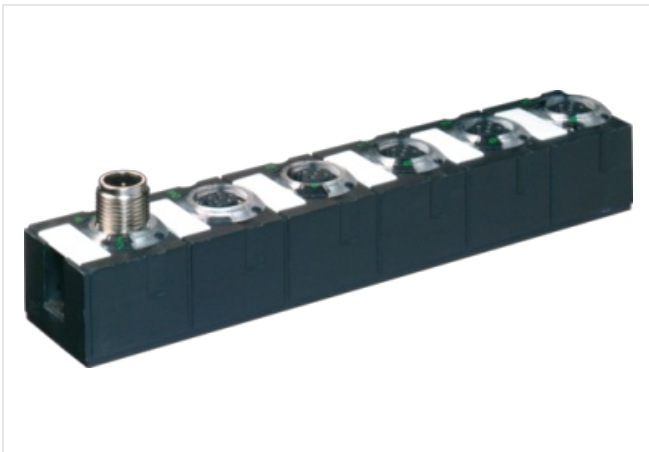
Model designation: MASI68 DI4/0,2A Y AB E 4xM12

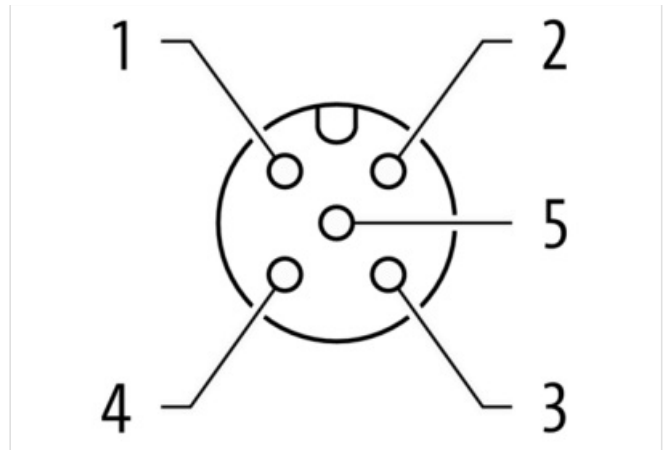
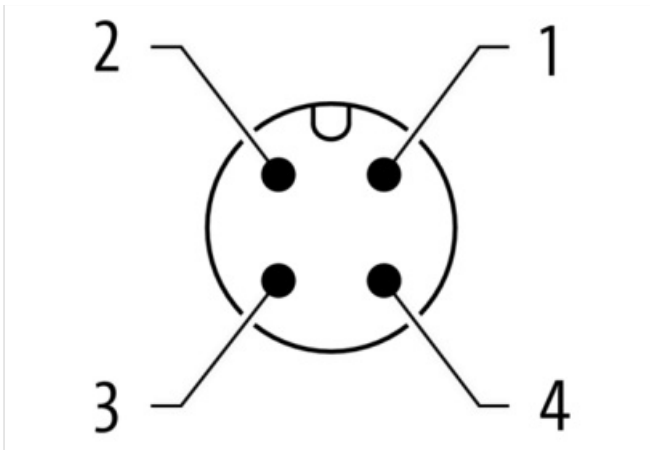
Expansion module

DI4 - 0.2 A (E) - 4x M12 (AB) (Y)

Connection cables are in the online shop under "Connection Technology".

Housing fully potted.

[Link to Product](#)**Illustration**



Product may differ from Image

**Commercial data**

URL Webshop	https://shop.murrelektronik.com/56425
GTIN	4048879048897
Customs tariff number	85176200
ECLASS-6.0	27242604
ECLASS-6.1	27242604
ECLASS-7.0	27242604
ECLASS-7.1	27242604
ECLASS-8.0	27242604
ECLASS-8.1	27242604
ECLASS-9.0	27242604
ECLASS-9.1	27242604
ECLASS-10.0.1	27242604
ECLASS-10.1	27242604
ECLASS-11.0	27242604
ECLASS-11.1	27242604
ECLASS-12.0	27242604
ECLASS-13.0	27242604
ECLASS-14.0	27242604
ETIM-5.0	EC001599
ETIM-6.0	EC001599
ETIM-7.0	EC001599
ETIM-8.0	EC001599
customs tariff number	85176200
EAN	4048879048897
Packaging unit	1

Electrical data | Supply

Bus voltage AS-Interface DC min.	26,5 V
Bus voltage AS-Interface DC max.	31,6 V
Current consumption AS-i port max.	250 mA

Electrical data | Input

Current carrying capacity max.	0,2 A
Short-circuit protected	Yes

Overload resistant	Yes
Type input	for 3-wire sensors or mechanical switches, PNP
Industrial communication Bus data	
Address setting type	M12 connection and programming device, Master
Slave address range	(0), 1 A...31 A, 1 B...31 B
Industrial communication AS-Interface	
Profile (IO.ID.ID2)	S-0.A.2
Diagnostics	
Diagnostic	No voltage
Diagnostic via LED	per module
LED display	Ethernet connection/data traffic
Device protection Electrical	
Degree of protection (EN IEC 60529)	IP68
Mechanical data Mounting data	
Height	151 mm
Width	30 mm
Depth	34,5 mm
Mounting method	screwed
Environmental characteristics Climatic	
Operating temperature min.	-20 °C
Operating temperature max.	60 °C
Ambient temperature (storage, transport)	-20 °C ... 70 °C
Connection type 4	
Connection type 1	A C
Connection type 2	B D
Connection type 3	Bus In
Connection type 4	Bus Out
Family construction form	M12
No. of poles	5
Coding	A
Gender	female
Color contact carrier	black
PIN 1	Usens +
PIN 2	DI
PIN 3	Usens -
PIN 4	DI
PIN 5	n.c.
Family construction form	M12
No. of poles	5
Coding	A
Gender	female
Color contact carrier	black
PIN 1	Usens +
PIN 2	n.c.
PIN 3	Usens -
PIN 4	DI
PIN 5	n.c.
Family construction form	M12
No. of poles	4
Coding	A
Gender	male

Color contact carrier	black
PIN 1	AS-i +
PIN 2	0 V
PIN 3	AS-i -
PIN 4	24 V DC
Family construction form	M12
No. of poles	5
Coding	A
Gender	female
Color contact carrier	black
PIN 1	AS-i +
PIN 2	0 V
PIN 3	AS-i -
PIN 4	24 V DC
PIN 5	n.c.