

MASI68 I/O MODULE K3

4 digital inputs, 4 digital, passive safety outputs

Art.No.: 56423

Weight: 0.220 kg

Country of origin: CZ

Model designation: MASI68 DI4/0,2A DO4/1,6A Y AB K3 8xM12

Compact module

DI4 - 0.2 A DO4 - 1.6 A (C) - 8x M12 (AB) (Y) (K3)

Output groups up to PLd (EN ISO 13849-1) can be switched off via safety relays

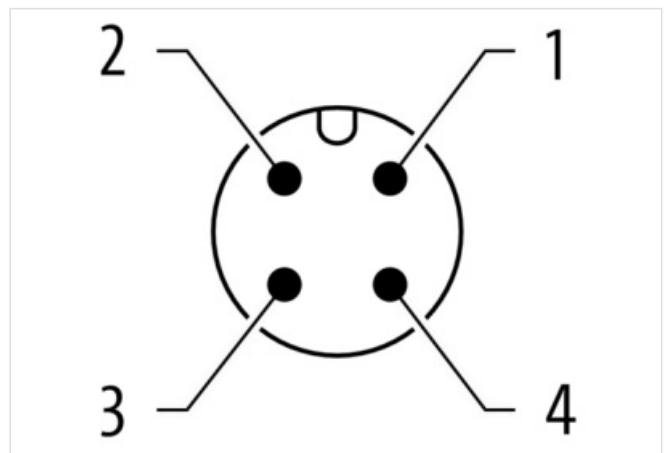
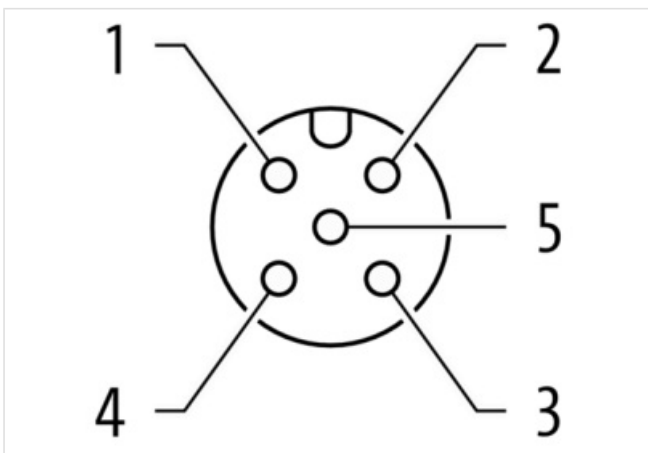
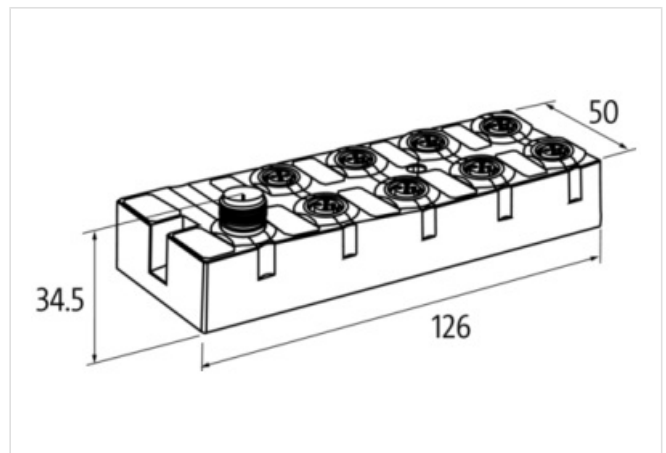
Connection cables are in the online shop under "Connection Technology".

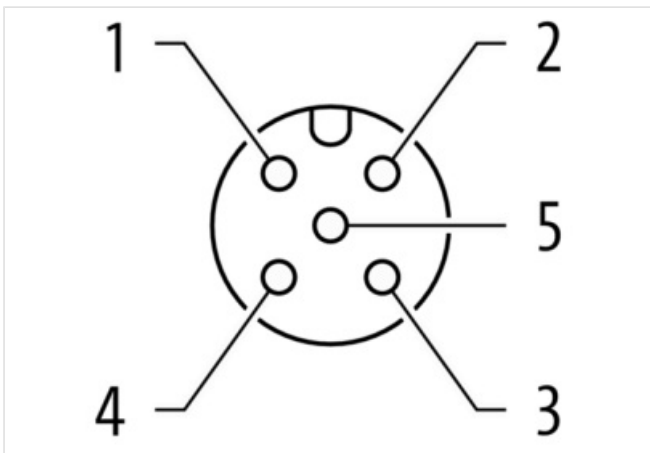
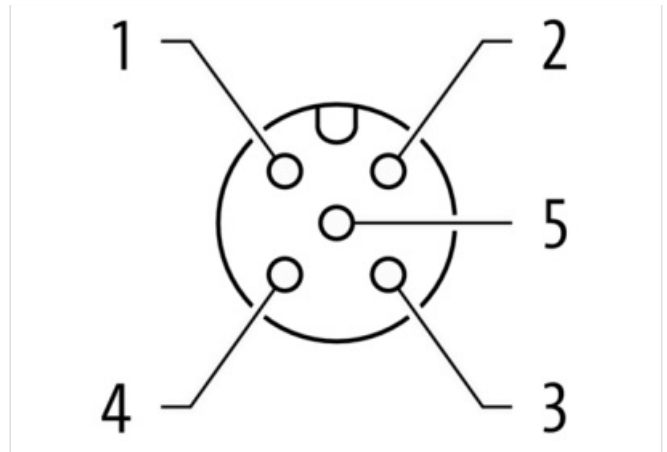
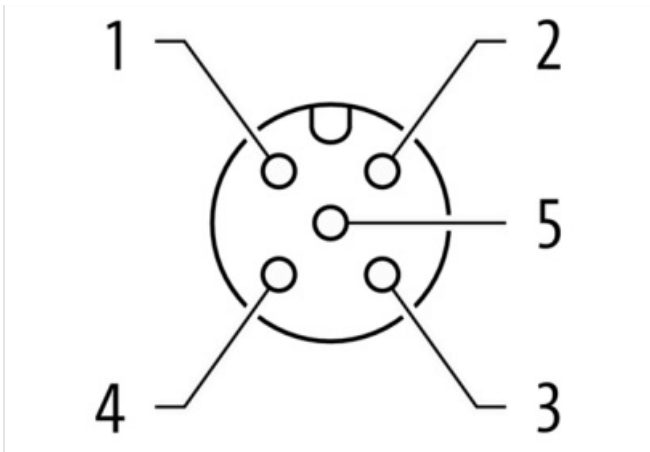
Housing fully potted.

24 V DC external (18...30.2 V DC) EN 61131-2

[Link to Product](#)

Illustration





Product may differ from Image



Commercial data

URL Webshop	https://shop.murrelektronik.com/56423
GTIN	4048879048910
Customs tariff number	85176200
ECLASS-6.0	27242604
ECLASS-6.1	27242604
ECLASS-7.0	27242604
ECLASS-7.1	27242604
ECLASS-8.0	27242604
ECLASS-8.1	27242604
ECLASS-9.0	27242604
ECLASS-9.1	27242604
ECLASS-10.0.1	27242604
ECLASS-10.1	27242604
ECLASS-11.0	27242604
ECLASS-11.1	27242604
ECLASS-12.0	27242604
ECLASS-13.0	27242604
ECLASS-14.0	27242604

The information in this Product-PDF has been compiled with the utmost care. Liability for the correctness completeness and topicality of the information is restricted to gross negligence. Version: 2026-07-02

ETIM-5.0	EC001599
ETIM-6.0	EC001599
ETIM-7.0	EC001599
ETIM-8.0	EC001599
customs tariff number	85176200
EAN	4048879048910
Packaging unit	1

Electrical data | Supply

Total current max.	4 A
Bus voltage AS-Interface DC min.	26,5 V
Bus voltage AS-Interface DC max.	31,6 V
Current consumption AS-i port max.	250 mA

Electrical data | Input

Current carrying capacity max.	0,2 A
Short-circuit protected	Yes
Overload resistant	Yes
Type input	for 3-wire sensors or mechanical switches, PNP

Electrical data | Output

Output current per pin max.	1,6 A
Overload resistant	Yes
Short-circuit protected	Yes

Industrial communication | Bus data

Address setting type	M12 connection and programming device, Master
Slave address range	(0), 1 A...31 A, 1 B...31 B

Industrial communication | AS-Interface

Profile (IO.ID.ID2)	S-7.A.7
---------------------	---------

Diagnostics

Diagnostic	No voltage
Diagnostic via LED	per module
LED display	Ethernet connection/data traffic

Device protection | Electrical

Degree of protection (EN IEC 60529)	IP68
-------------------------------------	------

Mechanical data | Mounting data

Height	126 mm
Width	50 mm
Depth	34,5 mm
Mounting method	screwed

Environmental characteristics | Climatic

Operating temperature min.	-20 °C
Operating temperature max.	60 °C
Ambient temperature (storage, transport)	-20 °C ... 70 °C

Connection type 5

Connection type 1	A C
Connection type 2	AUX
Connection type 3	B D
Connection type 4	E G
Connection type 5	F H
Family construction form	M12
No. of poles	5
Coding	A

Gender	female
Color contact carrier	black
PIN 1	Usens +
PIN 2	DI
PIN 3	Usens -
PIN 4	DI
PIN 5	n.c.
Family construction form	M12
No. of poles	4
Coding	A
Gender	male
Color contact carrier	black
PIN 1	AS-i +
PIN 2	0 V AUX POWER
PIN 3	AS-i -
PIN 4	24 V DC AUX POWER
Family construction form	M12
No. of poles	5
Coding	A
Gender	female
Color contact carrier	black
PIN 1	Usens +
PIN 2	n.c.
PIN 3	Usens -
PIN 4	DI
PIN 5	n.c.
Family construction form	M12
No. of poles	5
Coding	A
Gender	female
Color contact carrier	black
PIN 1	n.c.
PIN 2	DO
PIN 3	0 V
PIN 4	DO
PIN 5	FE
Family construction form	M12
No. of poles	5
Coding	A
Gender	female
Color contact carrier	black
PIN 1	n.c.
PIN 2	n.c.
PIN 3	0 V
PIN 4	DO
PIN 5	FE