

**EOL - MASI67 I/O MODULE**

4 digital inputs

Art.No.: 56405

Weight: 0,240 kg

Country of origin: CZ

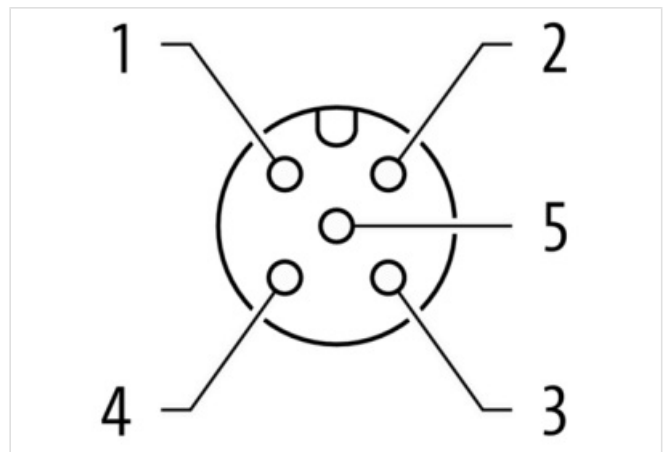
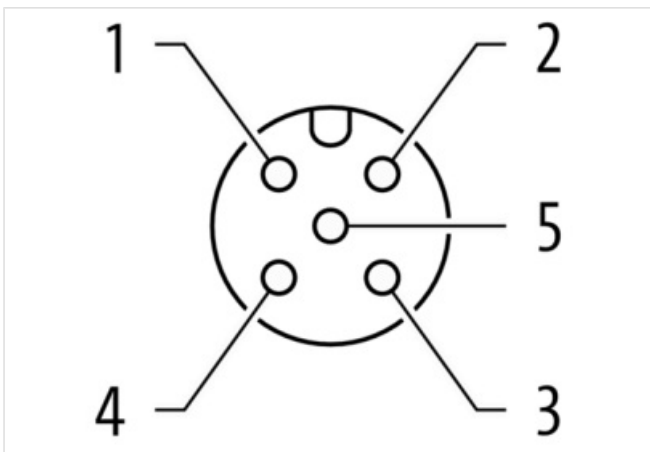
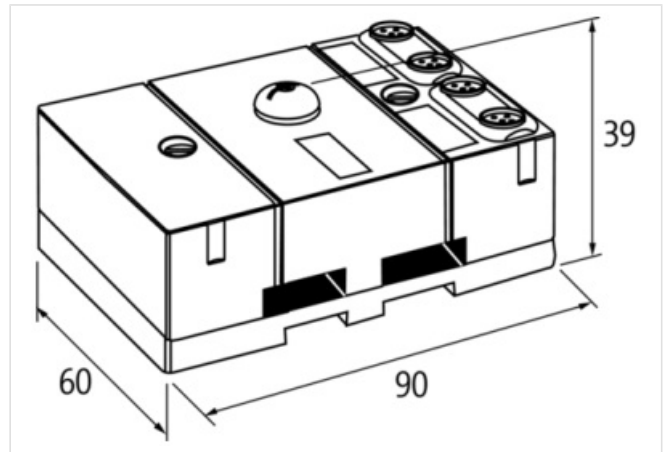
Model designation: MASI67 DI4/0,17A AB 4xM8

Digital inputs

DI4 - 0.2 A (AB) - 4x M8

Connection cables are in the online shop under "Connection Technology".

Housing fully potted.

**Link to Product****Illustration**

Product may differ from Image

**Commercial data**

URL Webshop	<a href="https://shop.murrelektronik.com/56405">https://shop.murrelektronik.com/56405</a>
GTIN	4048879049061
Customs tariff number	85176200

ECLASS-6.0	27242604
ECLASS-7.0	27242604
ECLASS-8.0	27242604
ECLASS-9.0	27242604
ETIM-5.0	EC001599
ETIM-6.0	EC001599
ETIM-7.0	EC001599
ETIM-8.0	EC001599
customs tariff number	85176200
EAN	4048879049061
Packaging unit	1

**Electrical data | Supply**

Bus voltage AS-Interface DC min.	26,5 V
Bus voltage AS-Interface DC max.	31,6 V
Current consumption AS-i port max.	250 mA

**Electrical data | Input**

Current carrying capacity max.	0,2 A
Short-circuit protected	Yes
Overload resistant	Yes
Type input	for 3-wire sensors or mechanical switches, PNP

**Industrial communication | Bus data**

Address setting type	Addressing socket, Master
Slave address range	(0), 1 A...31 A, 1 B...31 B

**Industrial communication | AS-Interface**

Profile (IO.ID.ID2)	S-0.A.0
---------------------	---------

**Diagnostics**

Diagnostic	No voltage
Diagnostic via LED	per module
LED display	Ethernet connection/data traffic

**Device protection | Electrical**

Degree of protection (EN IEC 60529)	IP67
-------------------------------------	------

**Mechanical data | Mounting data**

Height	94 mm
Width	60 mm
Depth	39 mm
Mounting method	geschnappt, screwed
Suitable for mounting type	(EN 60715), mounting rail

**Environmental characteristics | Climatic**

Operating temperature min.	-20 °C
Operating temperature max.	60 °C
Ambient temperature (storage, transport)	-20 °C ... 70 °C

**Connection type 2**

Connection type 1	A-D
Connection type 2	E-H
Family construction form	M8
No. of poles	3
Coding	A
Gender	female
Color contact carrier	black
PIN 1	Usens +

PIN 3	Usens -
PIN 4	DI
Family construction form	M8
No. of poles	3
Coding	A
Gender	female
Color contact carrier	black
PIN 1	n.c.
PIN 3	n.c.
PIN 4	n.c.