

MASI67 I/O MODULE

4 digital inputs, 4 digital outputs

Art.No.: 56404

Weight: 0.240 kg

Country of origin: CZ

Model designation: MASI67 DI4/1,6A DO4/2A 4xM12

Digital inputs/outputs

DI4 - 1.6 A DO4 - 2 A - 4x M12

Double assignment of M12 females, PIN 2 + 4

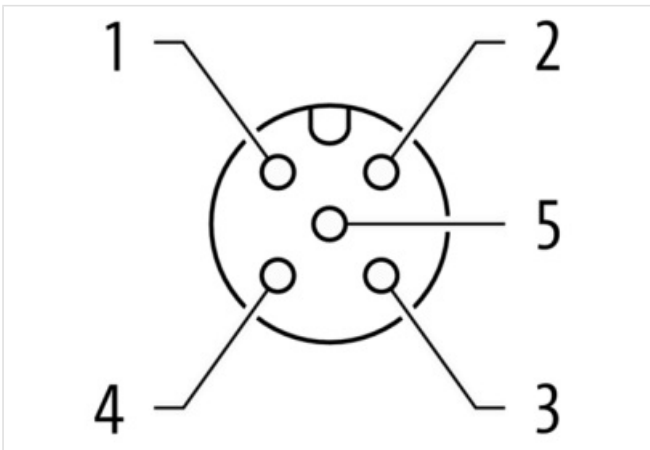
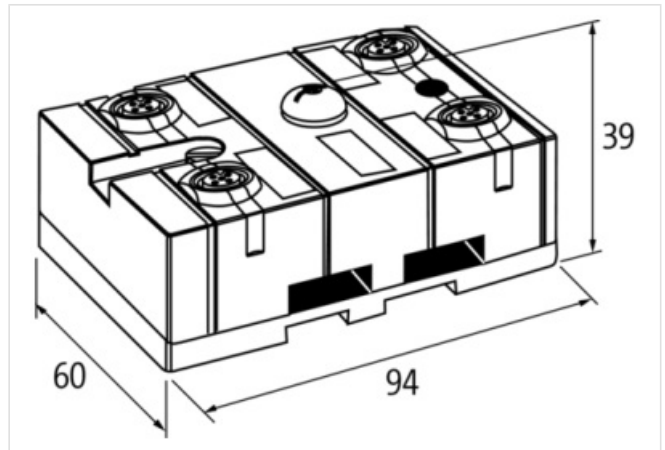
Sensor supply from external 24 V DC

Connection cables are in the online shop under "Connection Technology".

Housing fully potted.

Link to Product

Illustration



Product may differ from Image



Commercial data

URL Webshop

<https://shop.murrelektronik.com/56404>

GTIN	4048879049078
Customs tariff number	85176200
ECLASS-6.0	27242604
ECLASS-6.1	27242604
ECLASS-7.0	27242604
ECLASS-7.1	27242604
ECLASS-8.0	27242604
ECLASS-8.1	27242604
ECLASS-9.0	27242604
ECLASS-9.1	27242604
ECLASS-10.0.1	27242604
ECLASS-10.1	27242604
ECLASS-11.0	27242604
ECLASS-11.1	27242604
ECLASS-12.0	27242604
ECLASS-13.0	27242604
ECLASS-14.0	27242604
ETIM-5.0	EC001599
ETIM-6.0	EC001599
ETIM-7.0	EC001599
ETIM-8.0	EC001599
customs tariff number	85176200
EAN	4048879049078
Packaging unit	1

Electrical data | Supply

Norm operating voltage	IEC/EN 61131-2
Total current max.	8 A
Operating voltage UA DC	24 V
Bus voltage AS-Interface DC min.	26,5 V
Bus voltage AS-Interface DC max.	31,6 V
Current consumption AS-i port max.	50 mA

Electrical data | Input

Current carrying capacity max.	1,6 A
Short-circuit protected	Yes
Overload resistant	Yes
Type input	for 3-wire sensors or mechanical switches, PNP

Electrical data | Output

Output current per pin max.	2 A
Overload resistant	Yes
Short-circuit protected	Yes

Industrial communication | Bus data

Address setting type	Addressing socket, Master
Slave address range	(0), 1 ...

Industrial communication | AS-Interface

Profile (IO.ID.ID2)	S-7.F.E
---------------------	---------

Diagnostics

Diagnostic	No voltage
Diagnostic via LED	per module
LED display	Ethernet connection/data traffic

Installation | Connection

Double assignment M12 female	Yes
------------------------------	-----

Device protection | Electrical

The information in this Product-PDF has been compiled with the utmost care.

Liability for the correctness completeness and topicality of the information is restricted to gross negligence. Version: 2026-06-11

Degree of protection (EN IEC 60529)	IP67
Mechanical data Mounting data	
Height	94 mm
Width	60 mm
Depth	39 mm
Mounting method	geschnappt, screwed
Suitable for mounting type	(EN 60715), mounting rail
Environmental characteristics Climatic	
Operating temperature min.	-20 °C
Operating temperature max.	60 °C
Ambient temperature (storage, transport)	-20 °C ... 70 °C
Connection type 1	
Connection type 1	0-3
Family construction form	M12
No. of poles	5
Coding	A
Gender	female
Color contact carrier	black
PIN 1	Usens +
PIN 2	DI
PIN 3	Usens -
PIN 4	DI
PIN 5	n.c.