

CUBE20 BUS NODE ETHERNET-IP

8 digital inputs

Art.No.: 56005

Weight: 0.170 kg

Country of origin: CZ

Model designation: Cube20 BN-E/IP DI8

Bus nodes

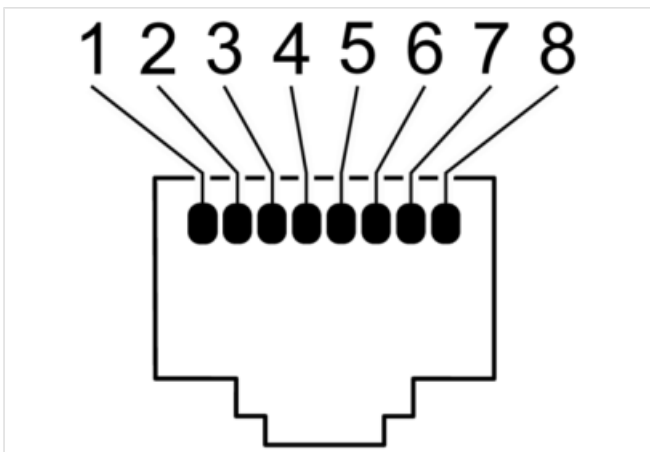
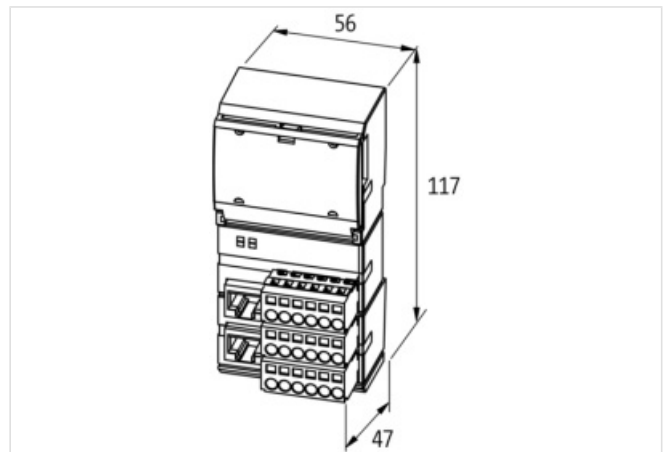
DI8 - (BN-E)

Ethernet/IP

Connection cables are in the online shop under "Connection Technology".

[Link to Product](#)

Illustration



Product may differ from Image



Commercial data

URL Webshop	https://shop.murrelektronik.com/56005
GTIN	4048879049498
Customs tariff number	85389099

ECLASS-6.0	27242604
ECLASS-6.1	27242608
ECLASS-7.0	27242608
ECLASS-7.1	27242608
ECLASS-8.0	27242608
ECLASS-8.1	27242608
ECLASS-9.0	27242608
ECLASS-9.1	27242608
ECLASS-10.0.1	27242608
ECLASS-10.1	27242608
ECLASS-11.0	27242608
ECLASS-11.1	27242608
ECLASS-12.0	27242608
ECLASS-13.0	27242608
ECLASS-14.0	27242608
ETIM-5.0	EC001604
ETIM-6.0	EC001604
ETIM-7.0	EC001604
ETIM-8.0	EC001604
customs tariff number	85389099
EAN	4048879049498
Packaging unit	1

Electrical data | Supply

Norm operating voltage	IEC/EN 61131-2
Operating voltage DC	24 V
Operating voltage US DC	24 V
Total current US max.	4 A
Total current UA max.	4 A
Current consumption max.	150 mA

Electrical data | Input

Current carrying capacity max.	0,7 A
filter time	1 ms
Type input	PNP (EN 61131-2)

Industrial communication | Bus data

Address range inputs max.	504 bytes
Address range outputs max.	500 bytes

Industrial communication | Ethernet/IP

Addressing	Rotary switch, BOOTP, DHCP
------------	----------------------------

Diagnostics

Short circuit diagnosis	Yes
Overload diagnosis	Yes
Diagnostic	Under voltage
Diagnostic via BUS	per module and channel
Diagnostic via LED	per module
LED display	Ethernet connection/data traffic

Installation

Connection cross section max.	2,5 mm ²
-------------------------------	---------------------

Installation | Pin assignment

Terminal row X2	Input
Terminal row X3	Input

Device protection | Electrical

Degree of protection (EN IEC 60529)	IP20
Galvanic separation (operating voltage)	Yes
Galvanic separation input/output	Yes
Mechanical data	
Number extension modules max.	15
Mechanical data Mounting data	
Height	117 mm
Width	56 mm
Depth	47 mm
Mounting method	geschnappt
Suitable for mounting type	(EN 60715), mounting rail
Environmental characteristics Climatic	
Operating temperature min.	0 °C
Operating temperature max.	55 °C
Ambient temperature (storage, transport)	-20 °C ... 85 °C
Connection type 4	
Connection type 1	Ethernet In
Connection type 2	X0
Connection type 3	X1
Connection type 4	X2
Family construction form	RJ45
No. of poles	8
Gender	female
Color contact carrier	black
PIN 1	TD +
PIN 2	TD -
PIN 3	RD +
PIN 4	n.c.
PIN 5	n.c.
PIN 6	RD -
PIN 7	n.c.
PIN 8	n.c.
Family construction form	terminal
No. of poles	6
Gender	female
Color contact carrier	colorless
Connection	Spring clamp terminals FK
PIN 1	0 V
PIN 2	0 V
PIN 3	UB
PIN 4	UB
PIN 5	UI
PIN 6	UI
Family construction form	terminal
No. of poles	6
Gender	female
Color contact carrier	colorless
Connection	Spring clamp terminals FK
PIN 1	DI 0
PIN 2	DI 1
PIN 3	DI 2
PIN 4	DI 3

PIN 5	US
PIN 6	0 V
Family construction form	terminal
No. of poles	6
Gender	female
Color contact carrier	colorless
Connection	Spring clamp terminals FK
PIN 1	DI 4
PIN 2	DI 5
PIN 3	DI 6
PIN 4	DI 7
PIN 5	0 V
PIN 6	0 V