

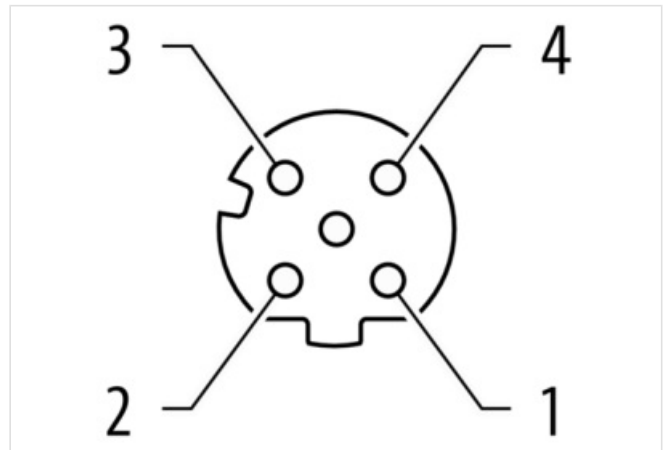
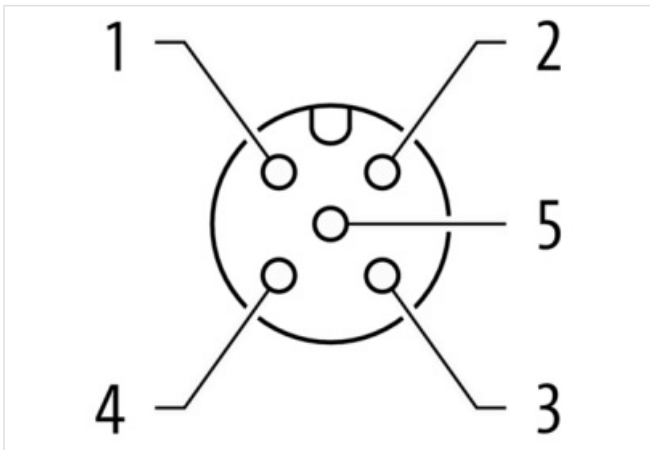
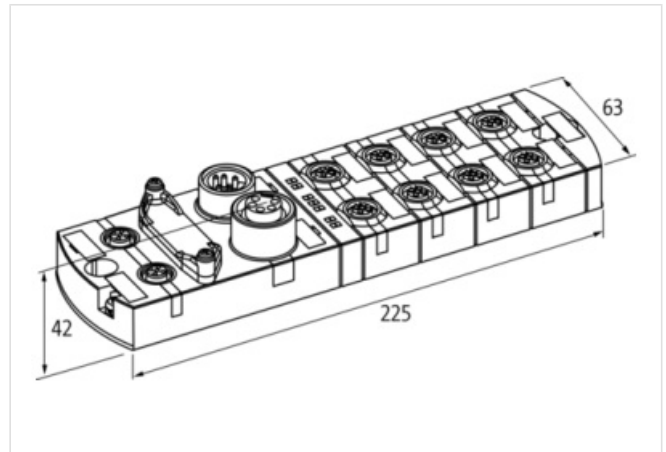
MVK-MPNIO DIO16 IRT 7/8" 5pin

Art.No.: 55530
 Weight: 0.966 kg
 Country of origin: DE
 Model designation: MVK-MPNIO DIO16 IRT

Digital inputs/outputs
 DIO16 (IRT)
 Ethernet 10/100 Mbit/s; M12, D-coded
 7/8", 5-pole, 2x max. 9 A
 M12, 5-pole, A-coded
 Connection cables are in the online shop under "Connection Technology".
 Housing fully potted.

Link to Product

Illustration



Product may differ from Image



Commercial data

URL Webshop

<https://shop.murrelektronik.com/55530>

GTIN	4048879527576
Customs tariff number	85389099
ECLASS-6.0	27242604
ECLASS-6.1	27242604
ECLASS-7.0	27242604
ECLASS-7.1	27242604
ECLASS-8.0	27242604
ECLASS-8.1	27242604
ECLASS-9.0	27242604
ECLASS-9.1	27242604
ECLASS-10.0.1	27242604
ECLASS-10.1	27242604
ECLASS-11.0	27242604
ECLASS-11.1	27242604
ECLASS-12.0	27242604
ECLASS-13.0	27242604
ECLASS-14.0	27242604
ETIM-5.0	EC001599
ETIM-6.0	EC001599
ETIM-7.0	EC001599
ETIM-8.0	EC001599
customs tariff number	85389099
EAN	4048879527576
Packaging unit	1

Electrical data | Supply

Norm operating voltage	IEC/EN 61131-2
Operating voltage US DC	24 V
Total current US max.	9 A
Operating voltage UA DC	24 V
Total current UA max.	9 A

Electrical data | Input

Sensor current US per input max.	0,2 A
Short-circuit protected	Yes
Overload resistant	Yes
Type input	for 3-wire sensors or mechanical switches, PNP

Electrical data | Output

Output current per pin max.	1,6 A
Overload resistant	Yes
Short-circuit protected	Yes
Lamp load	10 W

Industrial communication | Bus data

Supported protocol	Profinet
--------------------	----------

Industrial communication | Profinet

Conformance Class	C
addressing	DCP
Netload Class	III
Specification	V2.3
IRT-network communication	Yes
MRP client	Yes
Fast-Start-Up (FSU)	Yes
Fast start up time max.	0,5 s
Shared device/input	Yes

Number of active connections (IO controller)
max. 2

Diagnostics

Actuator warning	per channel via LED and BUS
Short circuit diagnosis	Yes
Overload diagnosis	Yes
Cable break	per port
Diagnostic	No voltage, Under voltage
Diagnostic via BUS	per module and channel
Diagnostic via LED	per module and channel
LED display	Ethernet connection/data traffic

Device protection | Electrical

Degree of protection (EN IEC 60529) IP67

Mechanical data | Mounting data

Height	42 mm
Width	63 mm
Depth	225 mm
Suitable for mounting type	2-hole screw mounting

Environmental characteristics | Climatic

Operating temperature min.	-25 °C
Operating temperature max.	60 °C
Ambient temperature (storage, transport)	-25 °C ... 70 °C

Connection types

Connection type 1	X0, X1, X2, X3, X4, X5, X6, X7
Connection type 2	XD1
Connection type 3	XD2
Connection type 4	XF1, XF2