

MVK+ MPNIO D18 D18 IRT PUSH PULL

only for Daimler projects!

Art.No.: 555280

Weight: 0.975 kg

Country of origin: DE

Model designation: MVK+ MPNIO D18 D18 IRT PP

Digital inputs

D18 D18 (IRT)

Ethernet 10/100 Mbit/s; Push Pull RJ45 Data connector

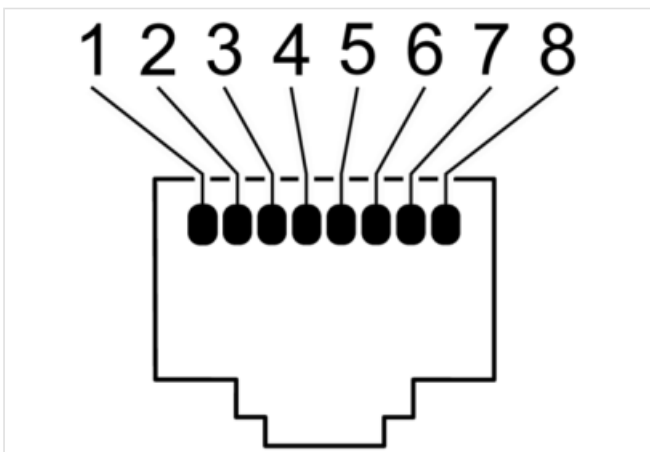
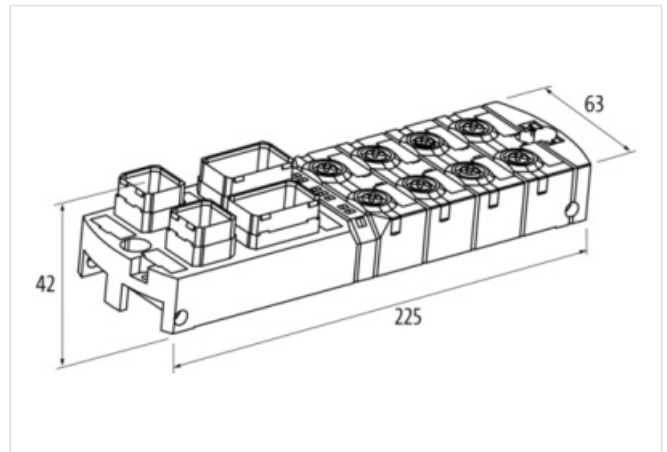
Push Pull Power connector, max. 12 A

M12, 5-pole, A-coded

Galvanic isolation

Connection cables are in the online shop under "Connection Technology".

Housing fully potted.

[Link to Product](#)**Illustration**

Product may differ from Image

**Commercial data**

The information in this Product-PDF has been compiled with the utmost care.

Liability for the correctness completeness and topicality of the information is restricted to gross negligence. Version: 2026-05-02

Murrelektronik Inc. | 1327 Northbrook Parkway, Suite 460 | Suwanee, GA 30024 | Fon +1 770 497-9292 | Fax +1 770 497-9391 | shop@murrinc.com | shop.murrinc.com

URL Webshop	https://shop.murrelektronik.com/555280
GTIN	4048879563369
Customs tariff number	85389099
ECLASS-6.0	27242604
ECLASS-6.1	27242604
ECLASS-7.0	27242604
ECLASS-7.1	27242604
ECLASS-8.0	27242604
ECLASS-8.1	27242604
ECLASS-9.0	27242604
ECLASS-9.1	27242604
ECLASS-10.0.1	27242604
ECLASS-10.1	27242604
ECLASS-11.0	27242604
ECLASS-11.1	27242604
ECLASS-12.0	27242604
ECLASS-13.0	27242604
ECLASS-14.0	27242604
ETIM-5.0	EC001599
ETIM-6.0	EC001599
ETIM-7.0	EC001599
ETIM-8.0	EC001599
customs tariff number	85389099
EAN	4048879563369
Packaging unit	1

Electrical data | Supply

Norm operating voltage	IEC/EN 61131-2
Operating voltage US DC	24 V
Total current US max.	12 A
Total current UA max.	12 A

Electrical data | Input

Sensor current US per input max.	0,2 A
Short-circuit protected	Yes
Overload resistant	Yes
Type input	for 3-wire sensors or mechanical switches, PNP

Industrial communication | Bus data

Supported protocol	Profinet
--------------------	----------

Industrial communication | Profinet

Conformance Class	C
addressing	DCP
Netload Class	III
Specification	V2.2
IRT-network communication	Yes
MRP client	Yes
Fast-Start-Up (FSU)	Yes
Fast start up time max.	0,5 s
Shared device/input	Yes
Number of active connections (IO controller) max.	2

Diagnostics

Actuator warning	per channel via LED and BUS
Short circuit diagnosis	Yes

Overload diagnosis	Yes
Cable break	per port
Diagnostic	No voltage, Under voltage
Diagnostic via BUS	per module and channel
Diagnostic via LED	per module and channel
LED display	Ethernet connection/data traffic

Device protection | Electrical

Degree of protection (EN IEC 60529)	IP67
-------------------------------------	------

Mechanical data | Mounting data

Height	42,7 mm
Width	63 mm
Depth	225 mm
Suitable for mounting type	2-hole screw mounting

Environmental characteristics | Climatic

Operating temperature min.	0 °C
Operating temperature max.	55 °C
Ambient temperature (storage, transport)	-20 °C ... 70 °C

Connection type 3

Connection type 1	Power In, Power Out
Connection type 2	X4-X7
Connection type 3	XD1, XD2
Family construction form	Push Pull
No. of poles	5
Gender	male
Color contact carrier	green
PIN 1	24 V DC (US)
PIN 2	0 V (US)
PIN 3	24 V DC (UA)
PIN 4	0 V (UA)
PIN 5	PE
Family construction form	M12
No. of poles	5
Coding	A
Gender	female
Color contact carrier	black
PIN 1	24 V DC (US)
PIN 2	DI
PIN 3	0 V (US)
PIN 4	DI
PIN 5	PE
Family construction form	RJ45
No. of poles	8
Gender	female
Color contact carrier	black
PIN 1	TD +
PIN 2	TD -
PIN 3	RD +
PIN 4	n.c.
PIN 5	n.c.
PIN 6	RD -
PIN 7	n.c.
PIN 8	n.c.