

IMPACT67 COMPACT MODULE, PLASTIC

Profibus DP, 16 dig Out

Art.No.: 55348

Weight: 0.420 kg

Country of origin: CZ

Model designation: IMPACT67-P DO16

Digital outputs

DO16 - 0.5 A

PROFIBUS 12 Mbit/s; M12, B-coded

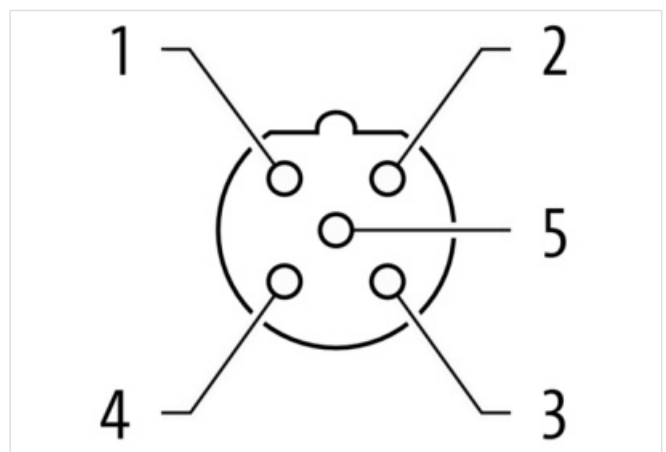
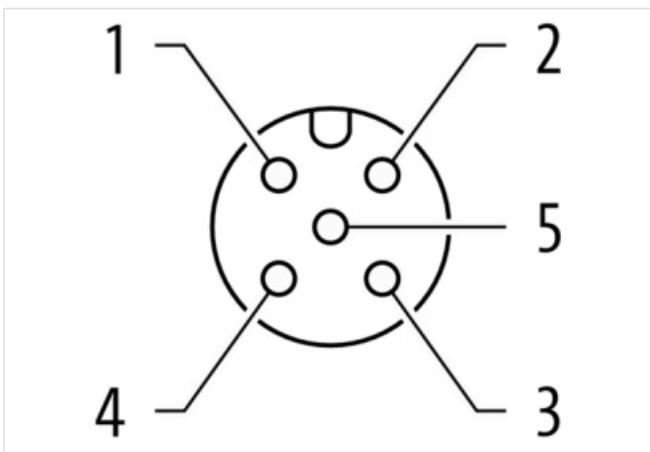
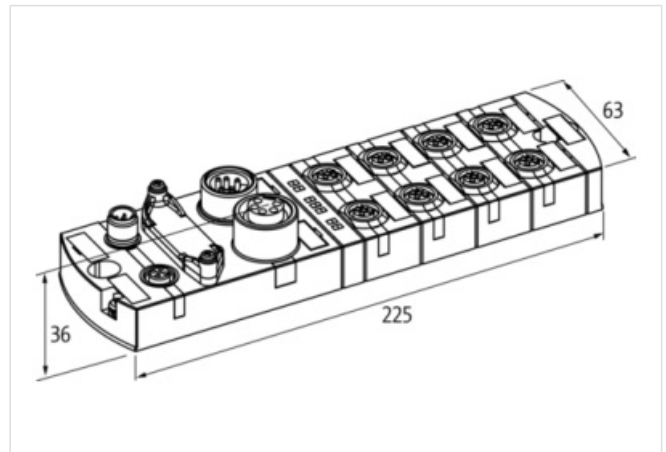
7/8", 5-pole, 2x max. 9 A

M12, 5-pole, A-coded

Connection cables are in the online shop under "Connection Technology".

Housing fully potted.

mounting compatible with I/O modules of the MVK series

[Link to Product](#)**Illustration**

Product may differ from Image

**Commercial data**

The information in this Product-PDF has been compiled with the utmost care.

Liability for the correctness completeness and topicality of the information is restricted to gross negligence. Version: 2026-05-19

Murrelektronik GmbH | Grabenstraße 29 | 71570 Oppenweiler | Fon +49 (71 91) 47-0 | Fax +49 (71 91) 47-491000 | shop@murrelektronik.com | shop.murrelektronik.com

URL Webshop	https://shop.murrelektronik.com/55348
GTIN	4048879051217
Customs tariff number	85389099
ECLASS-6.0	27242604
ECLASS-6.1	27242604
ECLASS-7.0	27242604
ECLASS-7.1	27242604
ECLASS-8.0	27242604
ECLASS-8.1	27242604
ECLASS-9.0	27242604
ECLASS-9.1	27242604
ECLASS-10.0.1	27242604
ECLASS-10.1	27242604
ECLASS-11.0	27242604
ECLASS-11.1	27242604
ECLASS-12.0	27242604
ECLASS-13.0	27242604
ECLASS-14.0	27242604
ETIM-5.0	EC001599
ETIM-6.0	EC001599
ETIM-7.0	EC001599
ETIM-8.0	EC001599
customs tariff number	85389099
EAN	4048879051217
Packaging unit	1
Electrical data Supply	
Total current US max.	9 A
Total current UA max.	9 A
Electrical data Output	
Output current per pin max.	0,5 A
Overload resistant	Yes
Short-circuit protected	Yes
Industrial communication Bus data	
Address setting type	Rotary switch
Address range min.	3
Address range max.	99
Diagnostics	
Diagnostic	No voltage, Under voltage
Diagnostic via BUS	per module and channel
Diagnostic via LED	per module and channel
LED display	Ethernet connection/data traffic
Device protection Electrical	
Degree of protection (EN IEC 60529)	IP67
Mechanical data Mounting data	
Height	39 mm
Width	63 mm
Depth	225 mm
Suitable for mounting type	2-hole screw mounting
Environmental characteristics Climatic	
Operating temperature min.	0 °C
Operating temperature max.	55 °C

Ambient temperature (storage, transport) -25 °C ... 70 °C

Connection types	
Connection type 1	0-7
Connection type 2	Bus In
Connection type 3	Bus Out
Connection type 4	Power In
Connection type 5	Power Out