

MVK I/O COMPACT MODULE, METAL

CANopen, 16 multifunctionale channels

Art.No.: 55306

Weight: 0.822 kg

Country of origin: DE

Model designation: MVK-MC DIO8 (DIO8)

Digital inputs/outputs

DIO8 DIO8

CAN 1 Mbit/s; M12, A-coded

7/8", 5-pole, 2x max. 9 A

M12, 5-pole, A-coded

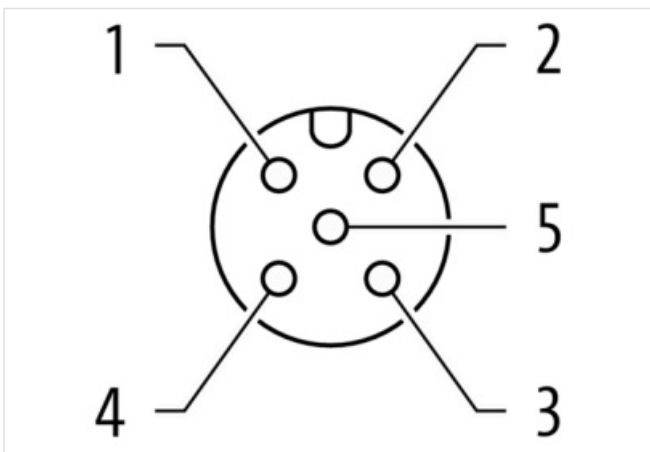
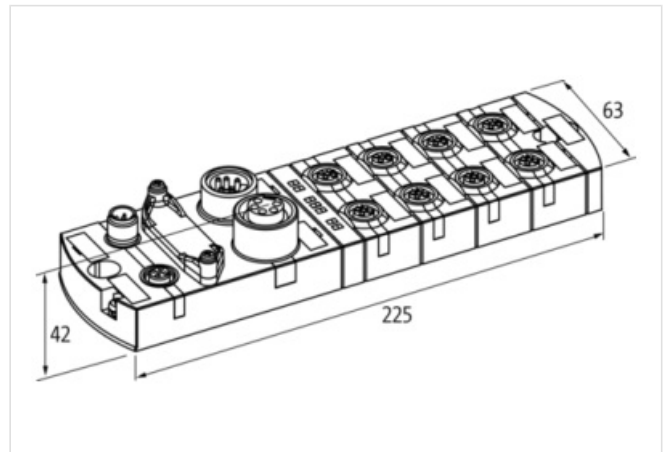
Fast-Start-Up (FSU)

Connection cables are in the online shop under "Connection Technology".

Housing fully potted.

[Link to Product](#)

Illustration



Product may differ from Image



Commercial data

The information in this Product-PDF has been compiled with the utmost care.

Liability for the correctness completeness and topicality of the information is restricted to gross negligence. Version: 2026-05-13

Murrelektronik GmbH | Grabenstraße 29 | 71570 Oppenweiler | Fon +49 (71 91) 47-0 | Fax +49 (71 91) 47-491000 | shop@murrelektronik.com | shop.murrelektronik.com

URL Webshop	https://shop.murrelektronik.com/55306
GTIN	4048879051491
Customs tariff number	85176200
ECLASS-6.0	27242604
ECLASS-6.1	27242604
ECLASS-7.0	27242604
ECLASS-7.1	27242604
ECLASS-8.0	27242604
ECLASS-8.1	27242604
ECLASS-9.0	27242604
ECLASS-9.1	27242604
ECLASS-10.0.1	27242604
ECLASS-10.1	27242604
ECLASS-11.0	27242604
ECLASS-11.1	27242604
ECLASS-12.0	27242604
ECLASS-13.0	27242604
ECLASS-14.0	27242604
ETIM-5.0	EC001599
ETIM-6.0	EC001599
ETIM-7.0	EC001599
ETIM-8.0	EC001599
customs tariff number	85176200
EAN	4048879051491
Packaging unit	1
Electrical data Supply	
Norm operating voltage	IEC/EN 61131-2
Operating voltage DC	24 V
Operating voltage US DC	24 V
Total current US max.	9 A
Operating voltage UA DC	24 V
Total current UA max.	9 A
Electrical data Input	
Sensor current US per input max.	0,2 A
Short-circuit protected	Yes
Overload resistant	Yes
Type input	for 3-wire sensors or mechanical switches, PNP
Electrical data Output	
Output current per pin max.	1,6 A
Overload resistant	Yes
Short-circuit protected	Yes
Lamp load	10 W
Industrial communication Bus data	
Address range min.	1
Address range max.	99
Industrial communication CANopen	
CANopen addressing	Rotary switch
Diagnostics	
Actuator warning	per channel via LED and BUS
Short circuit diagnosis	Yes
Overload diagnosis	Yes

Cable break	per port
Diagnostic	No voltage, Under voltage
Diagnostic via BUS	per module and channel
Diagnostic via LED	per module and channel
LED display	Ethernet connection/data traffic

Device protection | Electrical

Degree of protection (EN IEC 60529)	IP67
-------------------------------------	------

Mechanical data | Mounting data

Height	42 mm
Width	63 mm
Depth	225 mm
Suitable for mounting type	2-hole screw mounting

Environmental characteristics | Climatic

Operating temperature min.	0 °C
Operating temperature max.	55 °C
Ambient temperature (storage, transport)	-20 °C ... 70 °C

Connection type 5

Connection type 1	4-7
Connection type 2	Bus In
Connection type 3	Bus Out
Connection type 4	Power In
Connection type 5	Power Out
Family construction form	M12
No. of poles	5
Coding	A
Gender	female
Color contact carrier	black
PIN 1	24 V DC (US)
PIN 2	DI / DO / Diag
PIN 3	0 V (US)
PIN 4	DI / DO
PIN 5	PE
Family construction form	M12
No. of poles	5
Coding	A
Gender	male
Color contact carrier	black
PIN 1	Shield
PIN 2	V +
PIN 3	V -
PIN 4	CAN_HIGH
PIN 5	CAN_LOW
Family construction form	M12
No. of poles	5
Coding	A
Gender	female
Color contact carrier	black
PIN 1	Shield
PIN 2	V +
PIN 3	V -
PIN 4	CAN_HIGH
PIN 5	CAN_LOW
Family construction form	7/8"

No. of poles	5
Gender	male
Color contact carrier	black
PIN 1	0 V (UA)
PIN 2	0 V (US)
PIN 3	PE
PIN 4	24 V DC (US)
PIN 5	24 V DC (UA)
Family construction form	7/8"
No. of poles	5
Gender	female
Color contact carrier	black
PIN 1	0 V (UA)
PIN 2	0 V (US)
PIN 3	PE
PIN 4	24 V DC (US)
PIN 5	24 V DC (UA)