

## MVK I/O COMPACT MODULE, METAL

CANopen, 8 multif.channels / 8 dig. In / Diag

Art.No.: 55305

Weight: 0.822 kg

Country of origin: DE

Model designation: MVK-MC DIO8 (D18)

Digital inputs/outputs

DIO8 DI8

CAN 1 Mbit/s; M12, A-coded

7/8", 5-pole, 2x max. 9 A

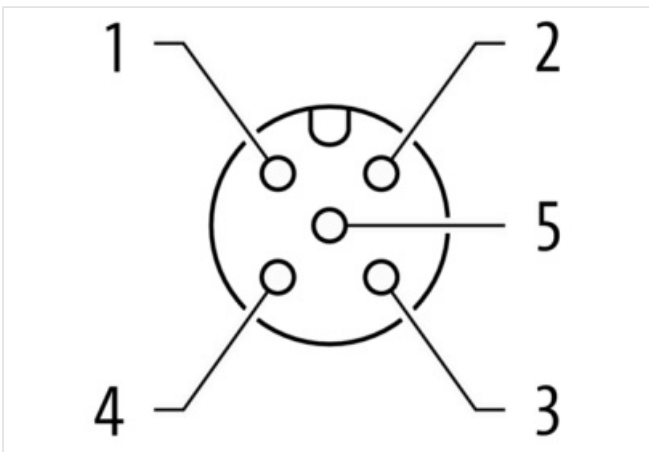
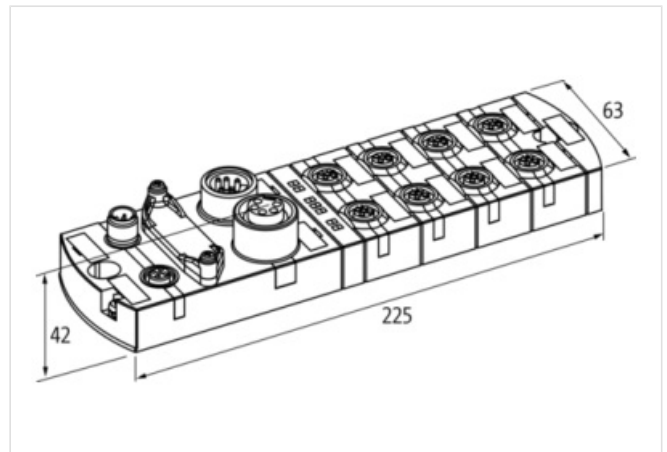
M12, 5-pole, A-coded

Connection cables are in the online shop under "Connection Technology".

Housing fully potted.

### [Link to Product](#)

#### Illustration



Product may differ from Image



#### Commercial data

The information in this Product-PDF has been compiled with the utmost care.

Liability for the correctness completeness and topicality of the information is restricted to gross negligence. Version: 2026-05-06

Murrelektronik GmbH | Grabenstraße 29 | 71570 Oppenweiler | Fon +49 (71 91) 47-0 | Fax +49 (71 91) 47-491000 | shop@murrelektronik.com | shop.murrelektronik.com

URL Webshop	<a href="https://shop.murrelektronik.com/55305">https://shop.murrelektronik.com/55305</a>
GTIN	4048879051507
Customs tariff number	85176200
ECLASS-6.0	27242604
ECLASS-6.1	27242604
ECLASS-7.0	27242604
ECLASS-7.1	27242604
ECLASS-8.0	27242604
ECLASS-8.1	27242604
ECLASS-9.0	27242604
ECLASS-9.1	27242604
ECLASS-10.0.1	27242604
ECLASS-10.1	27242604
ECLASS-11.0	27242604
ECLASS-11.1	27242604
ECLASS-12.0	27242604
ECLASS-13.0	27242604
ECLASS-14.0	27242604
ETIM-5.0	EC001599
ETIM-6.0	EC001599
ETIM-7.0	EC001599
ETIM-8.0	EC001599
customs tariff number	85176200
EAN	4048879051507
Packaging unit	1
<b>Electrical data   Supply</b>	
Norm operating voltage	IEC/EN 61131-2
Operating voltage DC	24 V
Operating voltage US DC	24 V
Total current US max.	9 A
Operating voltage UA DC	24 V
Total current UA max.	9 A
<b>Electrical data   Input</b>	
Sensor current US per input max.	0,2 A
Short-circuit protected	Yes
Overload resistant	Yes
Type input	for 3-wire sensors or mechanical switches, PNP
<b>Electrical data   Output</b>	
Output current per pin max.	1,6 A
Overload resistant	Yes
Short-circuit protected	Yes
Lamp load	10 W
<b>Industrial communication   Bus data</b>	
Address range min.	1
Address range max.	99
<b>Industrial communication   CANopen</b>	
CANopen addressing	Rotary switch
<b>Diagnostics</b>	
Actuator warning	per channel via LED and BUS
Short circuit diagnosis	Yes
Overload diagnosis	Yes
Cable break	per port

Diagnostic	No voltage, Under voltage
Diagnostic via BUS	per module and channel
Diagnostic via LED	per module and channel
LED display	Ethernet connection/data traffic

#### Device protection | Electrical

Degree of protection (EN IEC 60529)	IP67
-------------------------------------	------

#### Mechanical data | Mounting data

Height	42 mm
Width	63 mm
Depth	225 mm
Suitable for mounting type	2-hole screw mounting

#### Environmental characteristics | Climatic

Operating temperature min.	0 °C
Operating temperature max.	55 °C
Ambient temperature (storage, transport)	-20 °C ... 70 °C

#### Connection type 5

Connection type 1	0-7
Connection type 2	Bus In
Connection type 3	Bus Out
Connection type 4	Power In
Connection type 5	Power Out
Family construction form	M12
No. of poles	5
Coding	A
Gender	female
Color contact carrier	black
PIN 1	24 V DC (US)
PIN 2	DI / Diag
PIN 3	0 V (US)
PIN 4	DI / DO
PIN 5	PE
Family construction form	M12
No. of poles	5
Coding	A
Gender	male
Color contact carrier	black
PIN 1	Shield
PIN 2	V +
PIN 3	V -
PIN 4	CAN_HIGH
PIN 5	CAN_LOW
Family construction form	M12
No. of poles	5
Coding	A
Gender	female
Color contact carrier	black
PIN 1	Shield
PIN 2	V +
PIN 3	V -
PIN 4	CAN_HIGH
PIN 5	CAN_LOW
Family construction form	7/8"

No. of poles	5
Gender	male
Color contact carrier	black
PIN 1	0 V (UA)
PIN 2	0 V (US)
PIN 3	PE
PIN 4	24 V DC (US)
PIN 5	24 V DC (UA)
Family construction form	7/8"
No. of poles	5
Gender	female
Color contact carrier	black
PIN 1	0 V (UA)
PIN 2	0 V (US)
PIN 3	PE
PIN 4	24 V DC (US)
PIN 5	24 V DC (UA)