

## MVK E/A KOMPAKTMODUL, METALLAUSFÜHRUNG

Profibus DP, 16 dig. Aus

Art.No.: 55290

Weight: 0.820 kg

Country of origin: DE

Model designation: MVK-MP DO8 (DO8)

Digital outputs

DO8 DO8

PROFIBUS 12 Mbit/s; M12, B-coded

7/8", 5-pole, 2x max. 9 A

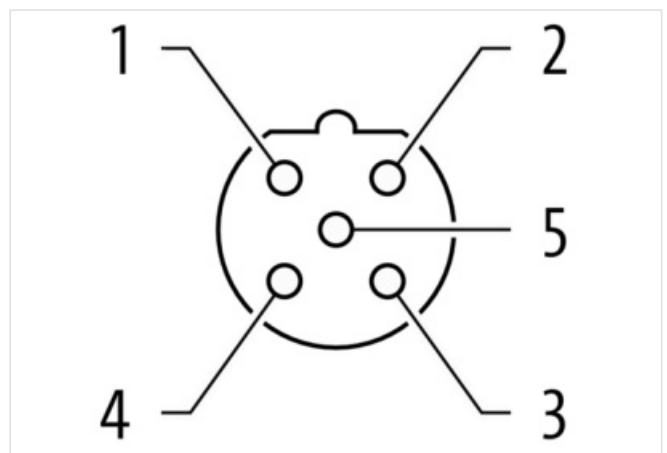
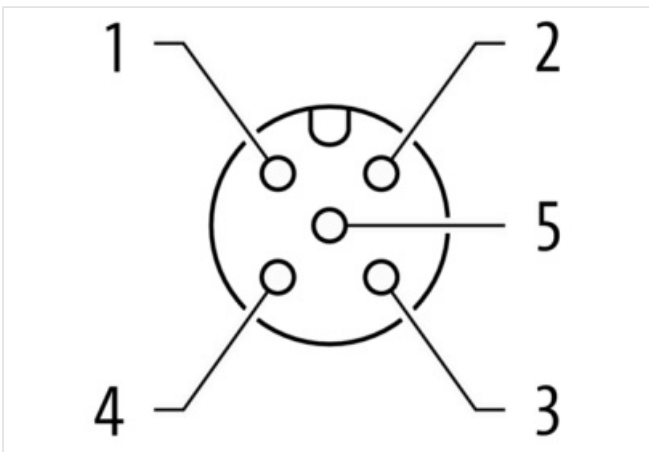
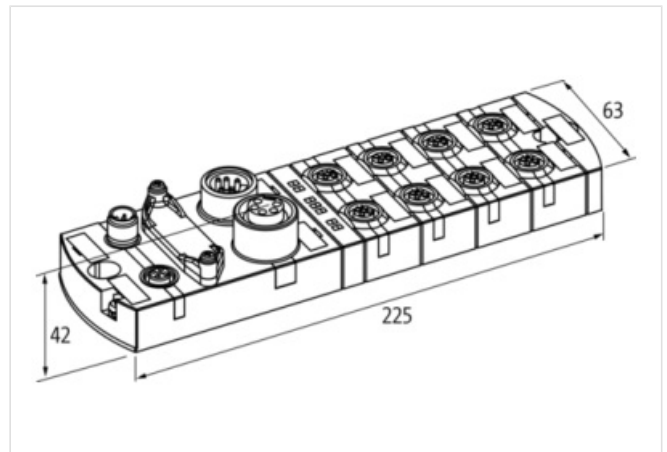
M12, 5-pole, A-coded

Connection cables are in the online shop under "Connection Technology".

Housing fully potted.

### [Link to Product](#)

#### Illustration



Product may differ from Image



#### Commercial data

The information in this Product-PDF has been compiled with the utmost care.

Liability for the correctness completeness and topicality of the information is restricted to gross negligence. Version: 2026-05-19

Murrelektronik GmbH | Grabenstraße 29 | 71570 Oppenweiler | Fon +49 (71 91) 47-0 | Fax +49 (71 91) 47-491000 | shop@murrelektronik.com | shop.murrelektronik.com

URL Webshop	<a href="https://shop.murrelektronik.com/55290">https://shop.murrelektronik.com/55290</a>
GTIN	4048879051613
Customs tariff number	85389099
ECLASS-6.0	27242604
ECLASS-6.1	27242604
ECLASS-7.0	27242604
ECLASS-7.1	27242604
ECLASS-8.0	27242604
ECLASS-8.1	27242604
ECLASS-9.0	27242604
ECLASS-9.1	27242604
ECLASS-10.0.1	27242604
ECLASS-10.1	27242604
ECLASS-11.0	27242604
ECLASS-11.1	27242604
ECLASS-12.0	27242604
ECLASS-13.0	27242604
ECLASS-14.0	27242604
ETIM-5.0	EC001599
ETIM-6.0	EC001599
ETIM-7.0	EC001599
ETIM-8.0	EC001599
customs tariff number	85389099
EAN	4048879051613
Packaging unit	1

**Electrical data | Supply**

Norm operating voltage	IEC/EN 61131-2
Total current US max.	9 A
Operating voltage UA DC	24 V
Total current UA max.	9 A

**Electrical data | Output**

Output current per pin max.	1,6 A
Overload resistant	Yes
Short-circuit protected	Yes
Lamp load	10 W

**Industrial communication | Bus data**

Address setting type	Rotary switch
Address range min.	1
Address range max.	99

**Diagnostics**

Actuator warning	per channel via LED and BUS
Short circuit diagnosis	Yes
Overload diagnosis	Yes
Cable break	per port
Diagnostic	No voltage, Under voltage
Diagnostic via BUS	per module and channel
Diagnostic via LED	per module and channel
LED display	Ethernet connection/data traffic

**Device protection | Electrical**

Degree of protection (EN IEC 60529)	IP67
-------------------------------------	------

**Mechanical data | Mounting data**

Height	42 mm
Width	63 mm
Depth	225 mm
Suitable for mounting type	2-hole screw mounting

**Environmental characteristics | Climatic**

Operating temperature min.	-25 °C
Operating temperature max.	55 °C
Ambient temperature (storage, transport)	-25 °C ... 70 °C

**Connection types**

Connection type 1	0-3
Connection type 2	4-7
Connection type 3	Bus In
Connection type 4	Bus Out
Connection type 5	Power In
Connection type 6	Power Out