

## MVK+ MPNIO DIO8 DIO8 PUSH PULL

MVK ProfiNet Compact module, metal

Art.No.: 55283

Weight: 0.975 kg

Country of origin: DE

Model designation: MVK+ MPNIO DIO8 DIO8 Push Pull

Digital inputs/outputs

DIO8 DIO8

Ethernet 10/100 Mbit/s; Push Pull RJ45 Data connector

Push Pull Power connector, max. 12 A

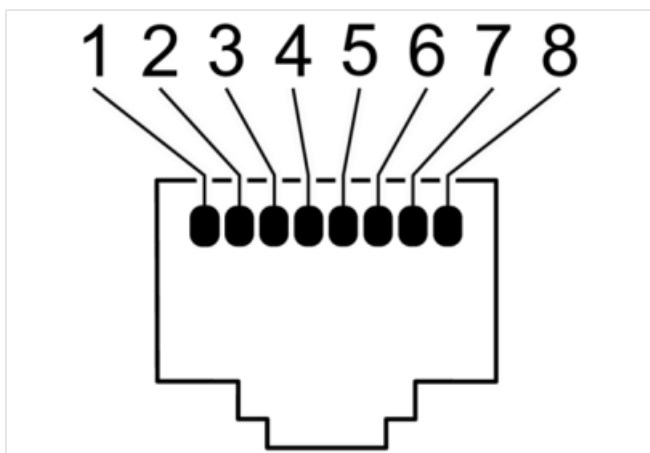
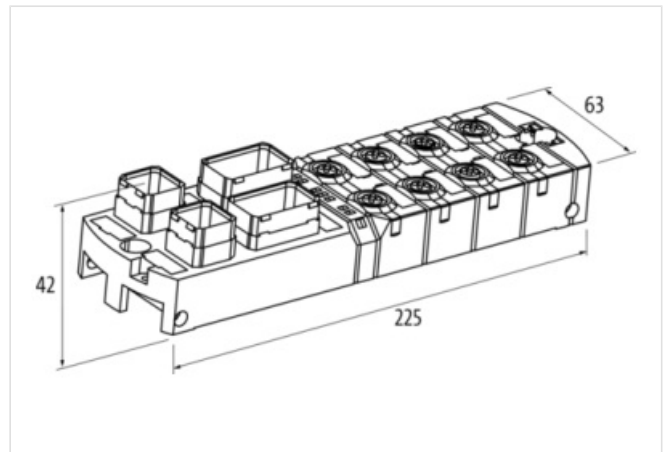
M12, 5-pole, A-coded

Connection cables are in the online shop under "Connection Technology".

Housing fully potted.

### [Link to Product](#)

#### Illustration



Product may differ from Image



#### Commercial data

The information in this Product-PDF has been compiled with the utmost care.

Liability for the correctness completeness and topicality of the information is restricted to gross negligence. Version: 2026-06-09

Murrelektronik GmbH | Grabenstraße 29 | 71570 Oppenweiler | Fon +49 (71 91) 47-0 | Fax +49 (71 91) 47-491000 | shop@murrelektronik.com | shop.murrelektronik.com

URL Webshop	<a href="https://shop.murrelektronik.com/55283">https://shop.murrelektronik.com/55283</a>
GTIN	4048879051682
Customs tariff number	85389099
ECLASS-6.0	27242604
ECLASS-6.1	27242604
ECLASS-7.0	27242604
ECLASS-7.1	27242604
ECLASS-8.0	27242604
ECLASS-8.1	27242604
ECLASS-9.0	27242604
ECLASS-9.1	27242604
ECLASS-10.0.1	27242604
ECLASS-10.1	27242604
ECLASS-11.0	27242604
ECLASS-11.1	27242604
ECLASS-12.0	27242604
ECLASS-13.0	27242604
ECLASS-14.0	27242604
ETIM-5.0	EC001599
ETIM-6.0	EC001599
ETIM-7.0	EC001599
ETIM-8.0	EC001599
customs tariff number	85389099
EAN	4048879051682
Packaging unit	1
<b>Electrical data   Supply</b>	
Norm operating voltage	IEC/EN 61131-2
Operating voltage US DC	24 V
Total current US max.	12 A
Operating voltage UA DC	24 V
Total current UA max.	12 A
<b>Electrical data   Input</b>	
Sensor current US per input max.	0,2 A
Short-circuit protected	Yes
Overload resistant	Yes
Type input	for 3-wire sensors or mechanical switches, PNP
<b>Electrical data   Output</b>	
Output current per pin max.	1,6 A
Overload resistant	Yes
Short-circuit protected	Yes
Lamp load	10 W
<b>Industrial communication   Bus data</b>	
Supported protocol	Profinet
<b>Industrial communication   Profinet</b>	
Conformance Class	B
addressing	DCP
Specification	V2.2
MRP client	Yes
<b>Diagnostics</b>	
Actuator warning	per channel via LED and BUS
Short circuit diagnosis	Yes

Overload diagnosis	Yes
Cable break	per port
Diagnostic	No voltage, Under voltage
Diagnostic via BUS	per module and channel
Diagnostic via LED	per module and channel
LED display	Ethernet connection/data traffic

#### Device protection | Electrical

Degree of protection (EN IEC 60529)	IP67
-------------------------------------	------

#### Mechanical data | Mounting data

Height	39 mm
Width	63 mm
Depth	225 mm
Suitable for mounting type	2-hole screw mounting

#### Environmental characteristics | Climatic

Operating temperature min.	0 °C
Operating temperature max.	55 °C
Ambient temperature (storage, transport)	-20 °C ... 70 °C

#### Connection type 8

Connection type 1	4-7
Connection type 2	Port1, Port2
Connection type 3	Power In, Power Out
Family construction form	Push Pull
No. of poles	8
Coding	A
Gender	male
Color contact carrier	green
PIN 1	TD +
PIN 2	0 V (US)
PIN 3	24 V DC (UA)
PIN 4	0 V (UA)
PIN 5	n.c.
PIN 6	RD -
PIN 7	n.c.
PIN 8	n.c.
Family construction form	Push Pull
No. of poles	8
Coding	A
Gender	male
Color contact carrier	green
PIN 1	TD +
PIN 2	0 V (US)
PIN 3	24 V DC (UA)
PIN 4	0 V (UA)
PIN 5	n.c.
PIN 6	RD -
PIN 7	n.c.
PIN 8	n.c.
Family construction form	Push Pull
No. of poles	8
Coding	A
Gender	male
Color contact carrier	green
PIN 1	TD +

PIN 2	0 V (US)
PIN 3	24 V DC (UA)
PIN 4	0 V (UA)
PIN 5	n.c.
PIN 6	RD -
PIN 7	n.c.
PIN 8	n.c.
Family construction form	Push Pull
No. of poles	8
Coding	A
Gender	male
Color contact carrier	green
PIN 1	TD +
PIN 2	0 V (US)
PIN 3	24 V DC (UA)
PIN 4	0 V (UA)
PIN 5	n.c.
PIN 6	RD -
PIN 7	n.c.
PIN 8	n.c.
Family construction form	Push Pull
No. of poles	8
Coding	A
Gender	male
Color contact carrier	green
PIN 1	TD +
PIN 2	0 V (US)
PIN 3	24 V DC (UA)
PIN 4	0 V (UA)
PIN 5	n.c.
PIN 6	RD -
PIN 7	n.c.
PIN 8	n.c.
Family construction form	Push Pull
No. of poles	8
Coding	A
Gender	male
Color contact carrier	green
PIN 1	TD +
PIN 2	0 V (US)
PIN 3	24 V DC (UA)
PIN 4	0 V (UA)
PIN 5	n.c.
PIN 6	RD -
PIN 7	n.c.
PIN 8	n.c.
Family construction form	Push Pull
No. of poles	8
Coding	A
Gender	male
Color contact carrier	green
PIN 1	TD +
PIN 2	0 V (US)
PIN 3	24 V DC (UA)

PIN 4	0 V (UA)
PIN 5	n.c.
PIN 6	RD -
PIN 7	n.c.
PIN 8	n.c.
Family construction form	Push Pull
No. of poles	8
Coding	A
Gender	male
Color contact carrier	green
PIN 1	TD +
PIN 2	0 V (US)
PIN 3	24 V DC (UA)
PIN 4	0 V (UA)
PIN 5	n.c.
PIN 6	RD -
PIN 7	n.c.
PIN 8	n.c.