

MVK E/A KOMPAKTMODUL, METALLAUSFÜHRUNG

Profibus DP, 8 dig. Aus / 8 dig. Ein/Diag

Art.No.: 55274

Weight: 0.812 kg

Country of origin: DE

Model designation: MVK-MP DO4 (DO4) DI4 (DI4)

Digital inputs/outputs

DI8 DO8

PROFIBUS 12 Mbit/s; M12, B-coded

7/8", 5-pole, 2x max. 9 A

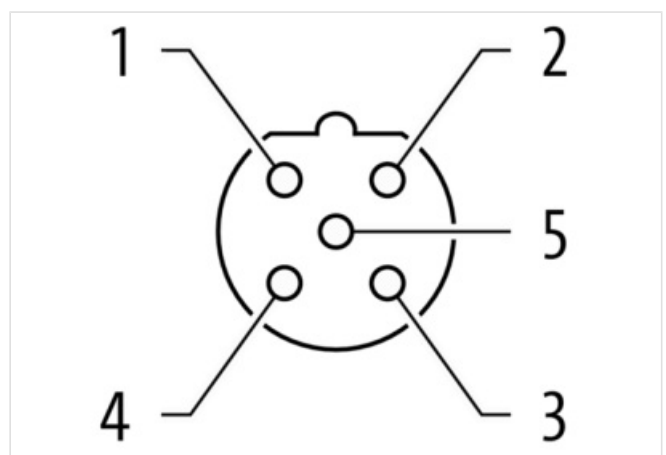
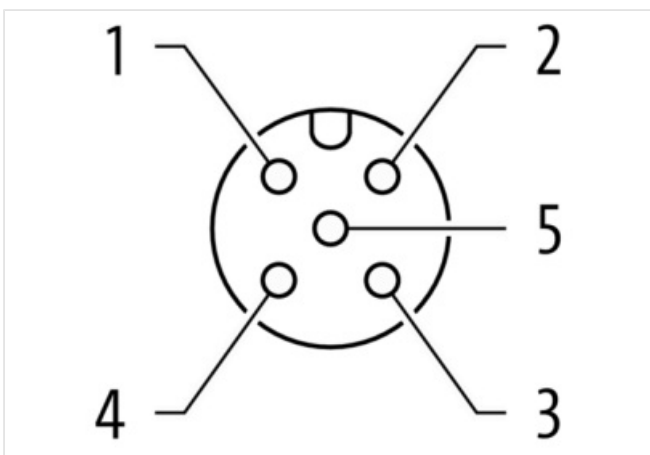
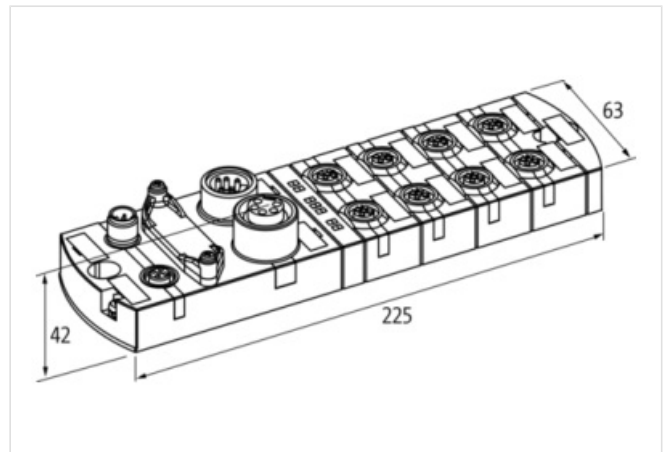
M12, 5-pole, A-coded

Connection cables are in the online shop under "Connection Technology".

Housing fully potted.

[Link to Product](#)

Illustration



Product may differ from Image



Commercial data

URL Webshop	https://shop.murrelektronik.com/55274
GTIN	4048879051705
Customs tariff number	85389099
ECLASS-6.0	27242604
ECLASS-6.1	27242604
ECLASS-7.0	27242604
ECLASS-7.1	27242604
ECLASS-8.0	27242604
ECLASS-8.1	27242604
ECLASS-9.0	27242604
ECLASS-9.1	27242604
ECLASS-10.0.1	27242604
ECLASS-10.1	27242604
ECLASS-11.0	27242604
ECLASS-11.1	27242604
ECLASS-12.0	27242604
ECLASS-13.0	27242604
ECLASS-14.0	27242604
ETIM-5.0	EC001599
ETIM-6.0	EC001599
ETIM-7.0	EC001599
ETIM-8.0	EC001599
customs tariff number	85389099
EAN	4048879051705
Packaging unit	1
Electrical data Supply	
Norm operating voltage	IEC/EN 61131-2
Operating voltage US DC	24 V
Total current US max.	9 A
Operating voltage UA DC	24 V
Total current UA max.	9 A
Electrical data Input	
Sensor current US per input max.	0,2 A
Short-circuit protected	Yes
Overload resistant	Yes
Type input	for 3-wire sensors or mechanical switches, PNP
Electrical data Output	
Output current per pin max.	1,6 A
Overload resistant	Yes
Short-circuit protected	Yes
Lamp load	10 W
Industrial communication Bus data	
Address setting type	Rotary switch
Address range min.	1
Address range max.	99
Diagnostics	
Actuator warning	per channel via LED and BUS
Short circuit diagnosis	Yes
Overload diagnosis	Yes
Cable break	per port
Diagnostic	No voltage, Under voltage

Diagnostic via BUS	per module and channel
Diagnostic via LED	per module and channel
LED display	Ethernet connection/data traffic
Device protection Electrical	
Degree of protection (EN IEC 60529)	IP67
Mechanical data Mounting data	
Height	42 mm
Width	63 mm
Depth	225 mm
Suitable for mounting type	2-hole screw mounting
Environmental characteristics Climatic	
Operating temperature min.	-25 °C
Operating temperature max.	55 °C
Ambient temperature (storage, transport)	-25 °C ... 70 °C
Connection type 5	
Connection type 1	0-3
Connection type 2	4-7
Connection type 3	Bus Out
Connection type 4	Power In
Connection type 5	Power Out
Family construction form	M12
No. of poles	5
Coding	A
Gender	female
Color contact carrier	black
PIN 1	n.c.
PIN 2	DO
PIN 3	0 V (UA)
PIN 4	DO
PIN 5	PE
Family construction form	M12
No. of poles	5
Coding	A
Gender	female
Color contact carrier	black
PIN 1	24 V DC (US)
PIN 2	DI / Diag
PIN 3	0 V (US)
PIN 4	DI
PIN 5	PE
Family construction form	M12
No. of poles	5
Coding	B
Gender	female
Color contact carrier	black
PIN 1	5 V 2
PIN 2	A GN
PIN 3	0 V 2
PIN 4	B RD
PIN 5	n.c.
Family construction form	7/8"
No. of poles	5

Gender	male
Color contact carrier	black
PIN 1	0 V (UA)
PIN 2	0 V (US)
PIN 3	PE
PIN 4	24 V DC (US)
PIN 5	24 V DC (UA)
Family construction form	7/8"
No. of poles	5
Gender	female
Color contact carrier	black
PIN 1	0 V (UA)
PIN 2	0 V (US)
PIN 3	PE
PIN 4	24 V DC (US)
PIN 5	24 V DC (UA)