

### MVK+ MPNIO D18 D18 PUSH PULL

Use only as spare part! newer version! – contact Murrelektronik

Art.No.: 55268

Weight: 0.975 kg

Country of origin: DE

Model designation: MVK+ MPNIO D18 D18 Push Pull

Digital inputs

D18 D18

Ethernet 10/100 Mbit/s; Push Pull RJ45 Data connector

Push Pull Power connector, max. 12 A

M12, 5-pole, A-coded

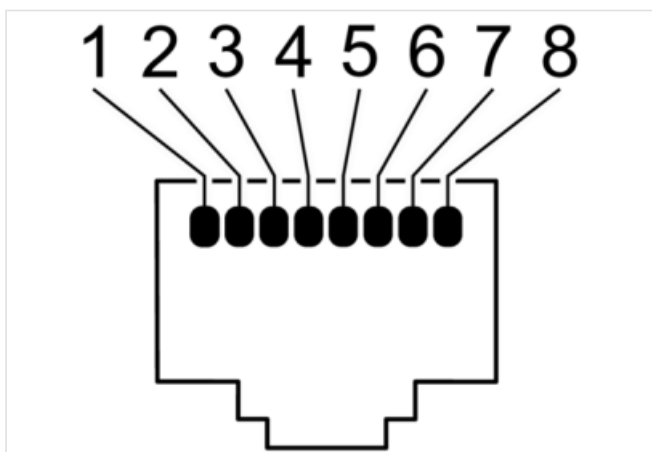
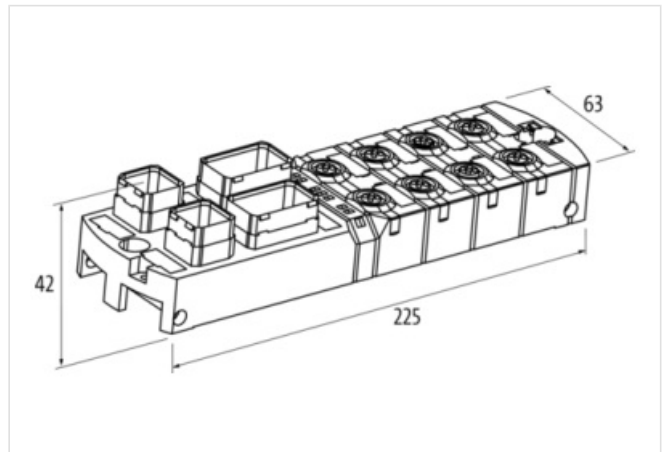
Fast-Start-Up (FSU)

Connection cables are in the online shop under "Connection Technology".

Housing fully potted.

### Link to Product

#### Illustration



Product may differ from Image



#### Commercial data

The information in this Product-PDF has been compiled with the utmost care.

Liability for the correctness completeness and topicality of the information is restricted to gross negligence. Version: 2026-05-19

Murrelektronik GmbH | Grabenstraße 29 | 71570 Oppenweiler | Fon +49 (71 91) 47-0 | Fax +49 (71 91) 47-491000 | shop@murrelektronik.com | shop.murrelektronik.com

URL Webshop	<a href="https://shop.murrelektronik.com/55268">https://shop.murrelektronik.com/55268</a>
GTIN	4048879051736
Customs tariff number	85389099
ECLASS-6.0	27242604
ECLASS-6.1	27242604
ECLASS-7.0	27242604
ECLASS-7.1	27242604
ECLASS-8.0	27242604
ECLASS-8.1	27242604
ECLASS-9.0	27242604
ECLASS-9.1	27242604
ECLASS-10.0.1	27242604
ECLASS-10.1	27242604
ECLASS-11.0	27242604
ECLASS-11.1	27242604
ECLASS-12.0	27242604
ECLASS-13.0	27242604
ECLASS-14.0	27242604
ETIM-5.0	EC001599
ETIM-6.0	EC001599
ETIM-7.0	EC001599
ETIM-8.0	EC001599
customs tariff number	85389099
EAN	4048879051736
Packaging unit	1

**Electrical data | Supply**

Norm operating voltage	IEC/EN 61131-2
Operating voltage US DC	24 V
Total current US max.	12 A
Total current UA max.	12 A

**Electrical data | Input**

Sensor current US per input max.	0,2 A
Short-circuit protected	Yes
Overload resistant	Yes
Type input	for 3-wire sensors or mechanical switches, PNP

**Industrial communication | Bus data**

Supported protocol	Profinet
--------------------	----------

**Industrial communication | Profinet**

Conformance Class	B
addressing	DCP
Specification	V2.2
Fast-Start-Up (FSU)	Yes
Fast start up time max.	0,5 s

**Diagnostics**

Actuator warning	per channel via LED and BUS
Short circuit diagnosis	Yes
Overload diagnosis	Yes
Cable break	per port
Diagnostic	No voltage, Under voltage
Diagnostic via BUS	per module and channel
Diagnostic via LED	per module and channel
LED display	Ethernet connection/data traffic

**Device protection | Electrical**

Degree of protection (EN IEC 60529)	IP67
-------------------------------------	------

**Mechanical data | Mounting data**

Height	42,7 mm
Width	63 mm
Depth	225 mm
Suitable for mounting type	2-hole screw mounting

**Environmental characteristics | Climatic**

Operating temperature min.	0 °C
Operating temperature max.	55 °C
Ambient temperature (storage, transport)	-20 °C ... 70 °C

**Connection types**

Connection type 1	4-7
Connection type 2	Port1, Port2
Connection type 3	Power In, Power Out