

## MVK+MPNIO DI8 DI8 POF IRT

Push Pull galvanic separation

Art.No.: 55254

Weight: 0.977 kg

Country of origin: DE

Model designation: MVK+ MPNIO DI8 DI8 POF IRT PP

Digital inputs

DI8 DI8 (IRT)

Ethernet 10/100 Mbit/s; 2× SCRJ45 POF Push Pull

Push Pull Power connector, max. 12 A

M12, 5-pole, A-coded

Galvanic isolation

Connection cables are in the online shop under "Connection Technology".

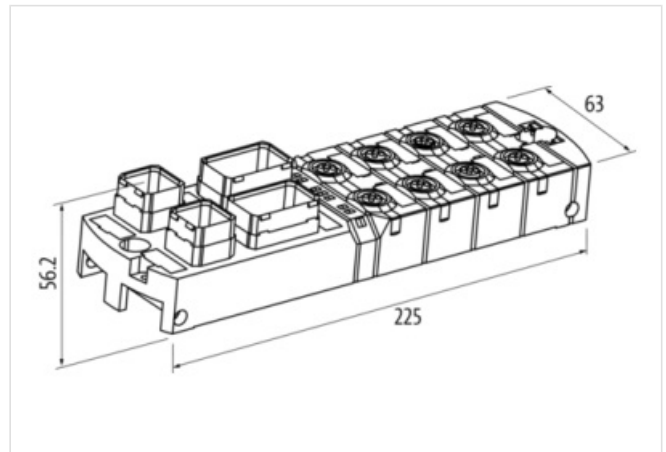
Housing fully potted.

### Link to Product

#### Illustration



Product may differ from Image



#### Commercial data

URL Webshop	<a href="https://shop.murrelektronik.com/55254">https://shop.murrelektronik.com/55254</a>
GTIN	4048879553162
Customs tariff number	85389099
ECLASS-6.0	27242604
ECLASS-6.1	27242604
ECLASS-7.0	27242604
ECLASS-7.1	27242604
ECLASS-8.0	27242604
ECLASS-8.1	27242604
ECLASS-9.0	27242604
ECLASS-9.1	27242604
ECLASS-10.0.1	27242604
ECLASS-10.1	27242604
ECLASS-11.0	27242604

ECLASS-11.1	27242604
ECLASS-12.0	27242604
ECLASS-13.0	27242604
ECLASS-14.0	27242604
ETIM-5.0	EC001599
ETIM-6.0	EC001599
ETIM-7.0	EC001599
ETIM-8.0	EC001599
customs tariff number	85389099
EAN	4048879553162
Packaging unit	1

**Electrical data | Supply**

Norm operating voltage	IEC/EN 61131-2
Operating voltage US DC	24 V
Total current US max.	12 A
Total current UA max.	12 A

**Electrical data | Input**

Sensor current US per input max.	0,2 A
Short-circuit protected	Yes
Overload resistant	Yes
Type input	for 3-wire sensors or mechanical switches, PNP

**Industrial communication | Bus data**

Supported protocol	Profinet
--------------------	----------

**Industrial communication | Profinet**

Conformance Class	C
addressing	DCP
Netload Class	III
Specification	V2.2
IRT-network communication	Yes
MRP client	Yes
Fast-Start-Up (FSU)	Yes
Fast start up time max.	0,5 s
Shared device/input	Yes
Number of active connections (IO controller) max.	2

**Diagnostics**

Actuator warning	per channel via LED and BUS
Short circuit diagnosis	Yes
Overload diagnosis	Yes
Cable break	per port
Diagnostic	No voltage, Under voltage
Diagnostic via BUS	per module and channel
Diagnostic via LED	per module and channel
LED display	Ethernet connection/data traffic

**Device protection | Electrical**

Degree of protection (EN IEC 60529)	IP67
-------------------------------------	------

**Mechanical data | Mounting data**

Height	56,2 mm
Width	63 mm
Depth	225 mm
Suitable for mounting type	2-hole screw mounting

**Environmental characteristics | Climatic**

Operating temperature min.	0 °C
Operating temperature max.	55 °C
Ambient temperature (storage, transport)	-20 °C ... 70 °C

**Connection types**

Connection type 1	X4-X7
Connection type 2	XD1, XD2
Connection type 3	XF1, XF2