

### Impact67 PN DIO16 M12L 5P

ProfiNet, Compact module,

Art.No.: 55170

Weight: 0.486 kg

Country of origin: DE

Model designation: Impact67 PN DIO16 M12L 5P

Digital inputs/outputs

DIO16 (IRT)

Ethernet 10/100 Mbit/s; M12, D-coded

M12 Power, 5-pole, L-coded

M12, 5-pole, A-coded

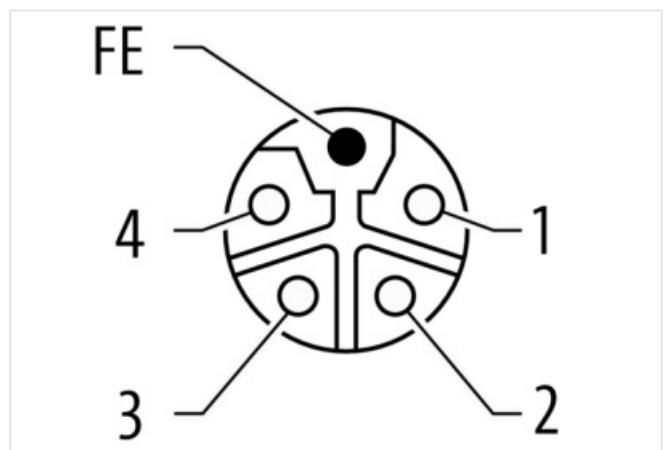
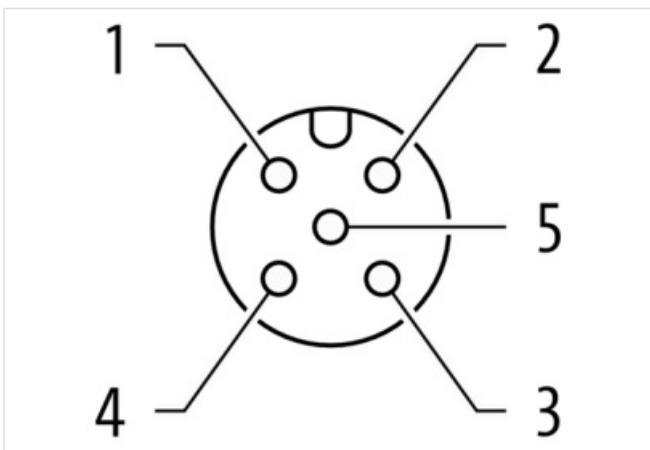
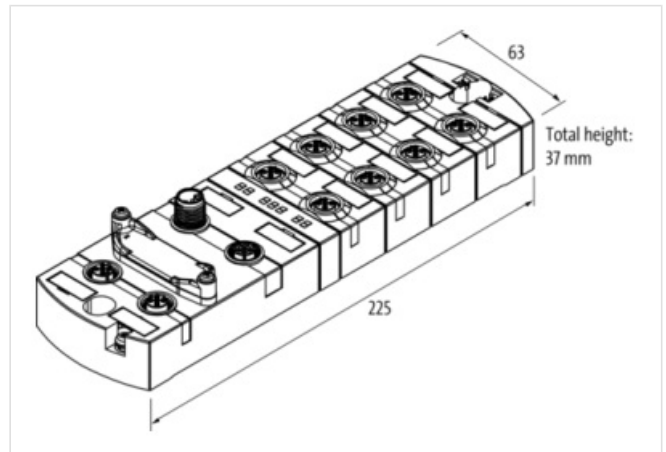
Connection cables are in the online shop under "Connection Technology".

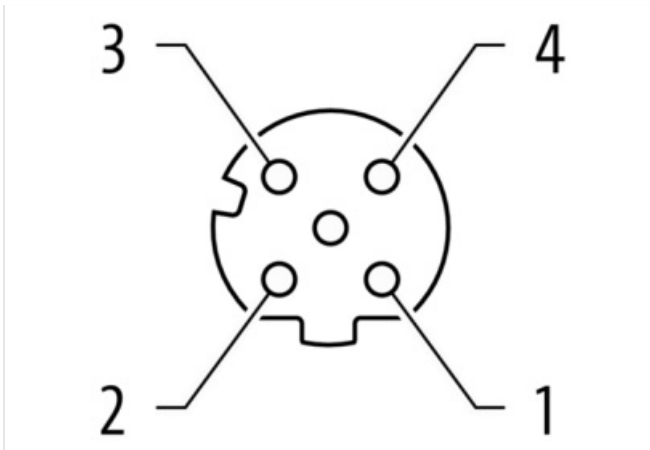
Housing fully potted.

mounting compatible with I/O modules of the MVK series

### [Link to Product](#)

#### Illustration





Product may differ from Image

**Commercial data**

URL Webshop	<a href="https://shop.murrelektronik.com/55170">https://shop.murrelektronik.com/55170</a>
GTIN	4048879778657
Customs tariff number	85389099
ECLASS-6.0	27242604
ECLASS-6.1	27242604
ECLASS-7.0	27242604
ECLASS-7.1	27242604
ECLASS-8.0	27242604
ECLASS-8.1	27242604
ECLASS-9.0	27242604
ECLASS-9.1	27242604
ECLASS-10.0.1	27242604
ECLASS-10.1	27242604
ECLASS-11.0	27242604
ECLASS-11.1	27242604
ECLASS-12.0	27242604
ECLASS-13.0	27242604
ECLASS-14.0	27242604
ETIM-5.0	EC001599
ETIM-6.0	EC001599
ETIM-7.0	EC001599
ETIM-8.0	EC001599
customs tariff number	85389099
EAN	4048879778657
Packaging unit	1

**Electrical data | Supply**

Norm operating voltage	IEC/EN 61131-2
Operating voltage US DC	24 V
Total current US max.	16 A
Operating voltage UA DC	24 V
Total current UA max.	16 A

**Electrical data | Input**

The information in this Product-PDF has been compiled with the utmost care.

Liability for the correctness completeness and topicality of the information is restricted to gross negligence. Version: 2026-05-19

Murrelektronik GmbH | Grabenstraße 29 | 71570 Oppenweiler | Fon +49 (71 91) 47-0 | Fax +49 (71 91) 47-491000 | shop@murrelektronik.com | shop.murrelektronik.com

Sensor current US per input max.	0,2 A
Short-circuit protected	Yes
Overload resistant	Yes
Type input	for 3-wire sensors or mechanical switches, PNP

#### Electrical data | Output

Output current per pin max.	1,6 A
Total current outputs max.	9 A
Overload resistant	Yes
Short-circuit protected	Yes
Lamp load	10 W

#### Industrial communication | Bus data

Supported protocol	Profinet
--------------------	----------

#### Industrial communication | Profinet

Conformance Class	C
addressing	DCP
Netload Class	III
Specification	V2.3
IRT-network communication	Yes
Fast-Start-Up (FSU)	Yes
Fast start up time max.	0,5 s
Shared device/input	Yes
Number of active connections (IO controller) max.	2

#### Diagnostics

Actuator warning	per channel via LED and BUS
Cable break	per port
Diagnostic	No voltage, Under voltage
Diagnostic via BUS	per module and channel
Diagnostic via LED	per module and channel
LED display	Ethernet connection/data traffic

#### Device protection | Electrical

Degree of protection (EN IEC 60529)	IP67
-------------------------------------	------

#### Mechanical data | Mounting data

Height	37 mm
Width	63 mm
Depth	225 mm
Suitable for mounting type	2-hole screw mounting

#### Environmental characteristics | Climatic

Operating temperature min.	-25 °C
Operating temperature max.	55 °C
Ambient temperature (storage, transport)	-25 °C ... 70 °C

#### Connection types

Connection type 1	X4-X7
Connection type 2	XD1
Connection type 3	XD2
Connection type 4	XF1, XF2