

**MVK-MPNIO DIO14 DIO2/IOL2 M12L 4P**

ProfiNet, Compact module, metal

Art.No.: 55161

Weight: 0.925 kg

Country of origin: DE

Model designation: MVK-MPNIO DIO14 DIO2/IOL2 M12L 4P

Digital inputs/outputs

DIO14 DIO2/IOL2 (IRT)

Ethernet 10/100 Mbit/s; M12, D-coded

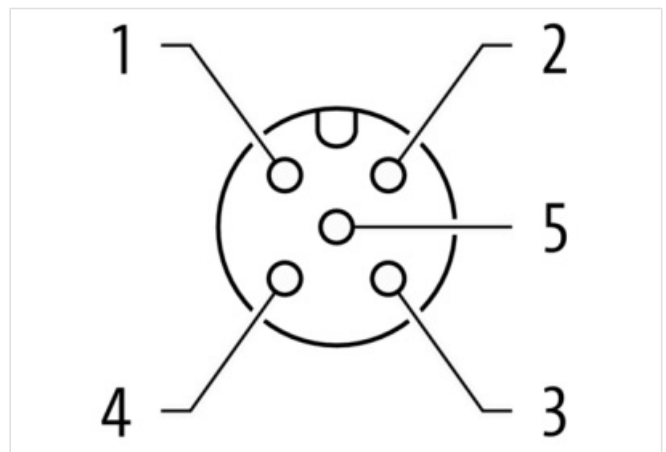
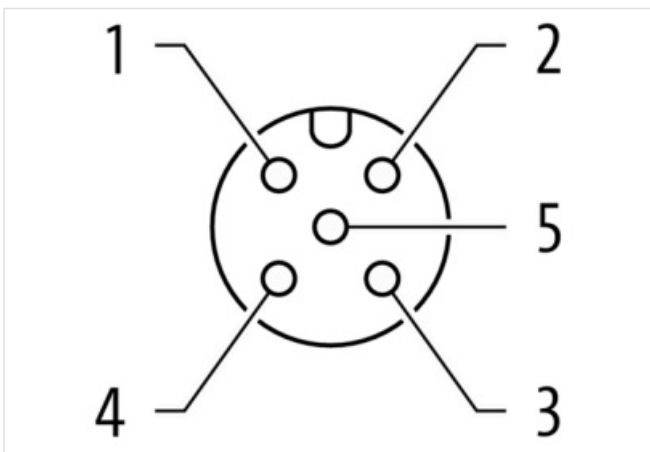
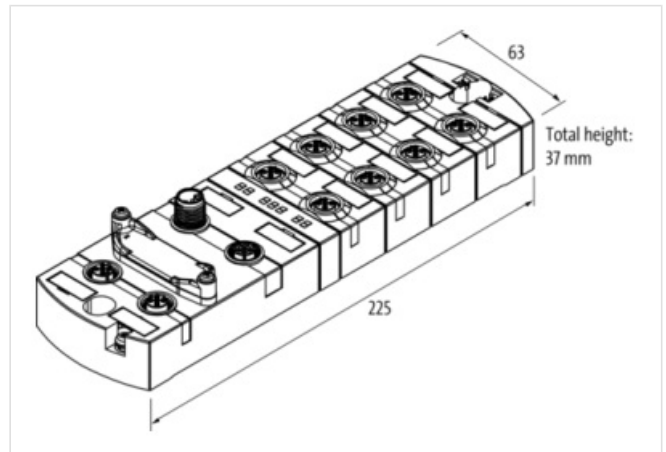
M12 Power, 4-pole, L-coded

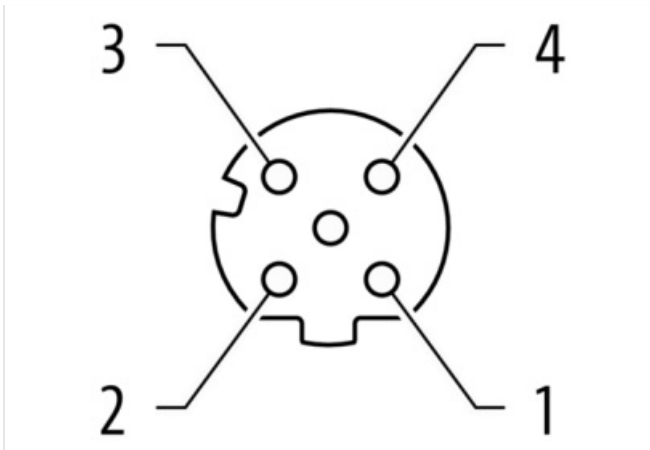
M12, 5-pole, A-coded

IO-Link Master V1.1.2

Connection cables are in the online shop under "Connection Technology".

Housing fully potted.

**Link to Product****Illustration**



Product may differ from Image

**Commercial data**

|                       |   |
|-----------------------|---|
| URL Webshop           | <a href="https://shop.murrelektronik.com/55161">https://shop.murrelektronik.com/55161</a> |
| GTIN                  | 4048879735797   |
| Customs tariff number | 85389099  |
| ECLASS-6.0            | 27242604  |
| ECLASS-6.1            | 27242604  |
| ECLASS-7.0            | 27242604  |
| ECLASS-7.1            | 27242604  |
| ECLASS-8.0            | 27242604  |
| ECLASS-8.1            | 27242604  |
| ECLASS-9.0            | 27242604  |
| ECLASS-9.1            | 27242604  |
| ECLASS-10.0.1         | 27242604  |
| ECLASS-10.1           | 27242604  |
| ECLASS-11.0           | 27242604  |
| ECLASS-11.1           | 27242604  |
| ECLASS-12.0           | 27242604  |
| ECLASS-13.0           | 27242604  |
| ECLASS-14.0           | 27242604  |
| ETIM-5.0              | EC001599  |
| ETIM-6.0              | EC001599  |
| ETIM-7.0              | EC001599  |
| ETIM-8.0              | EC001599  |
| customs tariff number | 85389099  |
| EAN                   | 4048879735797   |
| Packaging unit        | 1   |

**Electrical data | Supply**

|                         |                |
|-------------------------|----------------|
| Norm operating voltage  | IEC/EN 61131-2 |
| Operating voltage US DC | 24 V           |
| Total current US max.   | 16 A           |
| Operating voltage UA DC | 24 V           |
| Total current UA max.   | 16 A           |

**Electrical data | Input**

The information in this Product-PDF has been compiled with the utmost care.

Liability for the correctness completeness and topicality of the information is restricted to gross negligence. Version: 2026-05-19

Murrelektronik GmbH | Grabenstraße 29 | 71570 Oppenweiler | Fon +49 (71 91) 47-0 | Fax +49 (71 91) 47-491000 | shop@murrelektronik.com | shop.murrelektronik.com

|   |   |
|---|---|
| Sensor current US per input max.        | 0,2 A   |
| Sensor current US per IO-Link port max. | 1 A   |
| Short-circuit protected                 | Yes   |
| Overload resistant                      | Yes   |
| Type input                              | for 3-wire sensors or mechanical switches, IO-Link Devices, PNP |

**Electrical data | Output**

|                             |       |
|-----------------------------|-------|
| Output current per pin max. | 1,6 A |
| Total current outputs max.  | 9 A   |
| Overload resistant          | Yes   |
| Short-circuit protected     | Yes   |
| Lamp load                   | 10 W  |

**Industrial communication | Bus data**

|                    |          |
|--------------------|----------|
| Supported protocol | Profinet |
|--------------------|----------|

**Industrial communication | Profinet**

|   |       |
|---|-------|
| Conformance Class                                 | C     |
| addressing  | DCP   |
| Netload Class                                     | III   |
| Specification                                     | V2.3  |
| IRT-network communication                         | Yes   |
| MRP client  | Yes   |
| Fast-Start-Up (FSU)                               | Yes   |
| Fast start up time max.                           | 0,5 s |
| Shared device/input                               | Yes   |
| Number of active connections (IO controller) max. | 2     |

**Industrial communication | IO-Link**

|                              |                  |
|------------------------------|------------------|
| type                         | 2× Master        |
| Port Class                   | B                |
| revision ID                  | V1.1.2           |
| transmission rate            | COM1, COM2, COM3 |
| process data length input    | 32 bytes         |
| process data length output   | 32 bytes         |
| Automatic baudrate detection | Yes              |

**Diagnostics**

|                         |                                  |
|-------------------------|----------------------------------|
| Actuator warning        | per channel via LED and BUS      |
| Short circuit diagnosis | Yes                              |
| Overload diagnosis      | Yes                              |
| Cable break             | per port                         |
| Diagnostic via BUS      | per module and channel           |
| Diagnostic via LED      | per module and channel           |
| LED display             | Ethernet connection/data traffic |
| IO-Link events          | Undervoltage supply, No voltage  |

**Device protection | Electrical**

|                                     |      |
|-------------------------------------|------|
| Degree of protection (EN IEC 60529) | IP67 |
|-------------------------------------|------|

**Mechanical data | Mounting data**

|                            |                       |
|----------------------------|-----------------------|
| Height                     | 37 mm                 |
| Width                      | 63 mm                 |
| Depth                      | 225 mm                |
| Suitable for mounting type | 2-hole screw mounting |

**Environmental characteristics | Climatic**

|                            |        |
|----------------------------|--------|
| Operating temperature min. | -25 °C |
|----------------------------|--------|

|  |                  |
|--|------------------|
| Operating temperature max.               | 60 °C            |
| Ambient temperature (storage, transport) | -25 °C ... 70 °C |

**Connection types**

|                   |        |
|-------------------|--------|
| Connection type 1 | X0-X5  |
| Connection type 2 | X6, X7 |
| Connection type 3 | XD1    |
| Connection type 4 | XD2    |
| Connection type 5 | XF2    |