

### IMPACT67 PN DO16 M12L 4P galvanic separation

PROFINET, compact module

Art.No.: 55155

Weight: 0.486 kg

Country of origin: DE

Model designation: IMPACT67 PN DO16 M12L 4P

Digital outputs

DO16 (IRT)

Ethernet 10/100 Mbit/s; M12, D-coded

M12 power, 4-pin, L-coded, 2x max. 12 A

M12, 5-pole, A-coded

Fast-Start-Up (FSU)

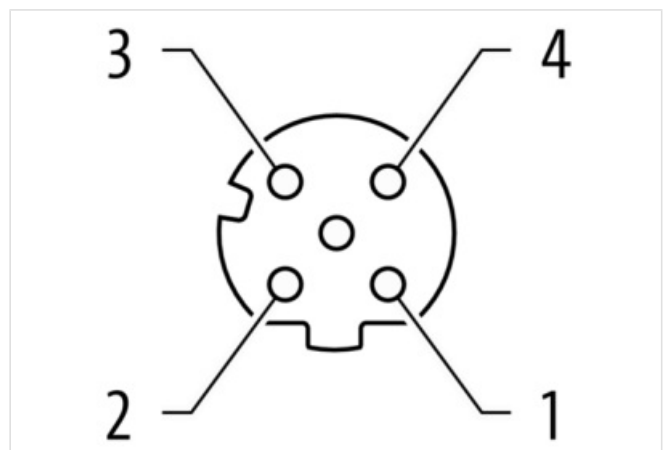
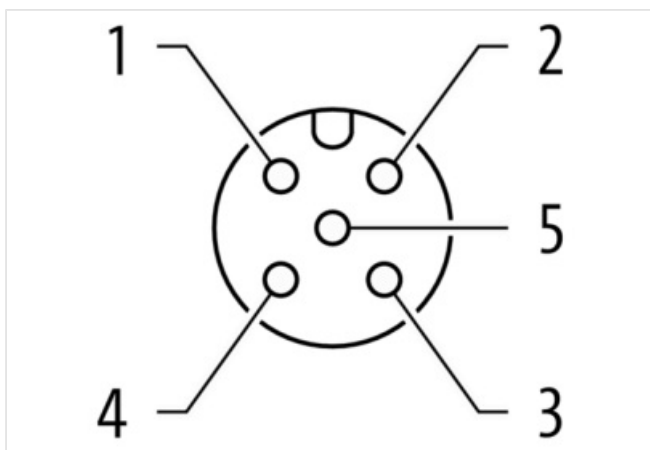
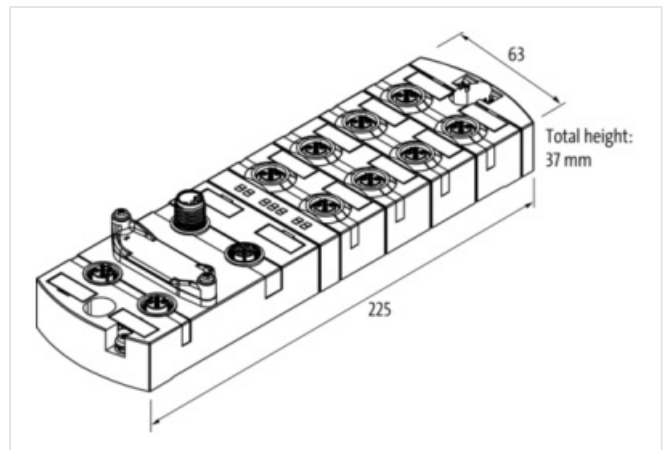
Galvanic isolation

Connection cables are in the online shop under "Connection Technology".

Housing fully potted.

### [Link to Product](#)

#### Illustration



Product may differ from Image



**Commercial data**

URL Webshop	<a href="https://shop.murrelektronik.com/55155">https://shop.murrelektronik.com/55155</a>
GTIN	4048879852258
Customs tariff number	85389099
ECLASS-6.1	27242604
ECLASS-7.0	27242604
ECLASS-7.1	27242604
ECLASS-8.0	27242604
ECLASS-8.1	27242604
ECLASS-9.0	27242604
ECLASS-9.1	27242604
ECLASS-10.0.1	27242604
ECLASS-10.1	27242604
ECLASS-11.0	27242604
ECLASS-11.1	27242604
ECLASS-12.0	27242604
ECLASS-13.0	27242604
ECLASS-14.0	27242604
customs tariff number	85389099
EAN	4048879852258
Packaging unit	1

**Electrical data | Supply**

Norm operating voltage	IEC/EN 61131-2
Total current US max.	12 A
Operating voltage UA DC	24 V
Total current UA max.	12 A

**Electrical data | Output**

Output current per pin max.	2 A
Overload resistant	Yes
Short-circuit protected	Yes

**Industrial communication | Bus data**

Supported protocol	Profinet
--------------------	----------

**Industrial communication | Profinet**

Conformance Class	C
addressing	DCP
Netload Class	III
Specification	V2.3
IRT-network communication	Yes
Fast-Start-Up (FSU)	Yes
Fast start up time max.	0,5 s
Shared device/input	Yes
Number of active connections (IO controller) max.	2

**Diagnostics**

Actuator warning	per channel via LED and BUS
Cable break	per port
Diagnostic	No voltage, Under voltage
Diagnostic via BUS	per module and channel
Diagnostic via LED	per module and channel
LED display	Ethernet connection/data traffic

**Device protection | Electrical**

Degree of protection (EN IEC 60529) IP67

**Mechanical data | Mounting data**

Height	37 mm
Width	63 mm
Depth	225 mm
Suitable for mounting type	2-hole screw mounting

**Environmental characteristics | Climatic**

Operating temperature min.	-25 °C
Operating temperature max.	55 °C
Ambient temperature (storage, transport)	-25 °C ... 70 °C

**Connection types**

Connection type 1	X0-X7
Connection type 2	XD1
Connection type 3	XD2
Connection type 4	XF1, XF2