

IMPACT67 PN DI8 DO8 M12L 4P galvanic separation

PROFINET, compact module

Art.No.: 55154

Weight: 0.486 kg

Country of origin: DE

Model designation: IMPACT67 PN DI8 DO8 M12L 4P

Digital inputs/outputs

DI8 DO8 (IRT)

Ethernet 10/100 Mbit/s; M12, D-coded

M12 power, 4-pin, L-coded, 2x max. 12 A

M12, 5-pole, A-coded

Fast-Start-Up (FSU)

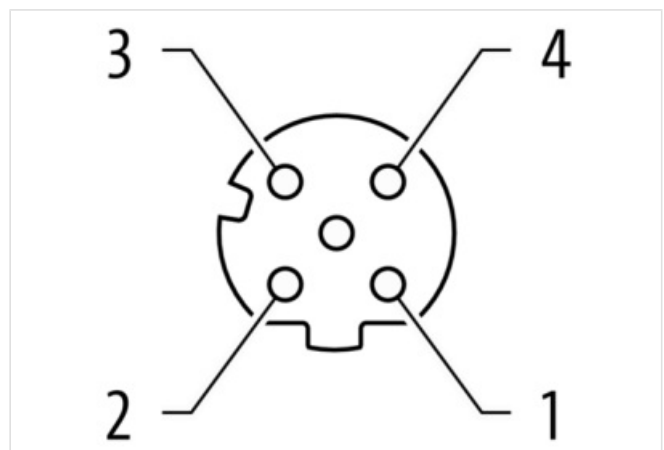
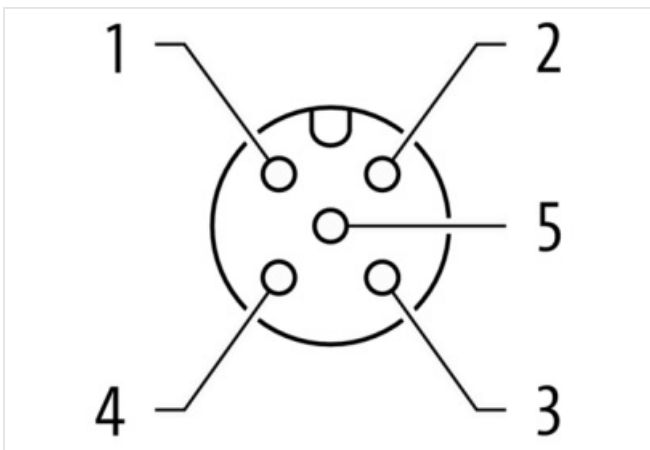
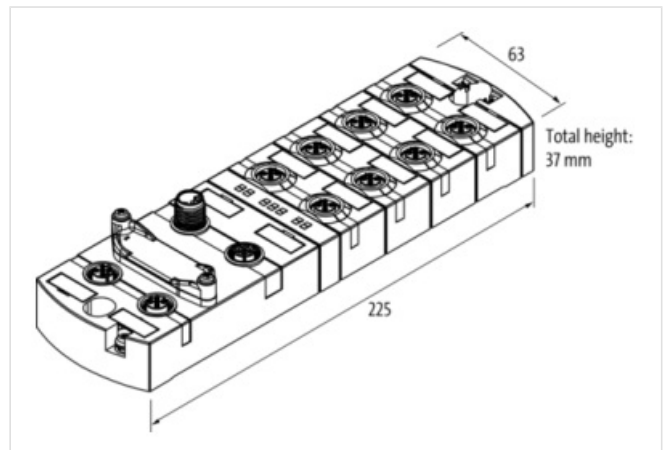
Galvanic isolation

Connection cables are in the online shop under "Connection Technology".

Housing fully potted.

[Link to Product](#)

Illustration



Product may differ from Image



Commercial data	
URL Webshop	https://shop.murrelektronik.com/55154
GTIN	4048879852241
Customs tariff number	85389099
ECLASS-6.1	27242604
ECLASS-7.0	27242604
ECLASS-7.1	27242604
ECLASS-8.0	27242604
ECLASS-8.1	27242604
ECLASS-9.0	27242604
ECLASS-9.1	27242604
ECLASS-10.0.1	27242604
ECLASS-10.1	27242604
ECLASS-11.0	27242604
ECLASS-11.1	27242604
ECLASS-12.0	27242604
ECLASS-13.0	27242604
ECLASS-14.0	27242604
customs tariff number	85389099
EAN	4048879852241
Packaging unit	1
Electrical data Supply	
Norm operating voltage	IEC/EN 61131-2
Operating voltage US DC	24 V
Total current US max.	12 A
Operating voltage UA DC	24 V
Total current UA max.	12 A
Electrical data Input	
Sensor current US per input max.	0,2 A
Short-circuit protected	Yes
Overload resistant	Yes
Type input	for 3-wire sensors or mechanical switches, PNP
Electrical data Output	
Output current per pin max.	2 A
Overload resistant	Yes
Short-circuit protected	Yes
Industrial communication Bus data	
Supported protocol	Profinet
Industrial communication Profinet	
Conformance Class	C
addressing	DCP
Netload Class	III
Specification	V2.3
IRT-network communication	Yes
Fast-Start-Up (FSU)	Yes
Fast start up time max.	0,5 s
Shared device/input	Yes
Number of active connections (IO controller) max.	2
Diagnostics	
Actuator warning	per channel via LED and BUS

Cable break	per port
Diagnostic	No voltage, Under voltage
Diagnostic via BUS	per module and channel
Diagnostic via LED	per module and channel
LED display	Ethernet connection/data traffic
Device protection Electrical	
Degree of protection (EN IEC 60529)	IP67
Mechanical data Mounting data	
Height	37 mm
Width	63 mm
Depth	225 mm
Suitable for mounting type	2-hole screw mounting
Environmental characteristics Climatic	
Operating temperature min.	-25 °C
Operating temperature max.	55 °C
Ambient temperature (storage, transport)	-25 °C ... 70 °C
Connection types	
Connection type 1	X0-X3
Connection type 2	X4-X7
Connection type 3	XD1
Connection type 4	XD2
Connection type 5	XF1, XF2