

IMPACT67 PN DI16 M12L 4P galvanic separation

PROFINET, compact module

Art.No.: 55153

Weight: 0.486 kg

Country of origin: DE

Model designation: IMPACT67 PN DI16 M12L 4P

Digital inputs

M12 power, 4-pin, L-coded, 2x max. 12 A

DI16 (IRT)

Ethernet 10/100 Mbit/s; M12, D-coded

M12, 5-pole, A-coded

Fast-Start-Up (FSU)

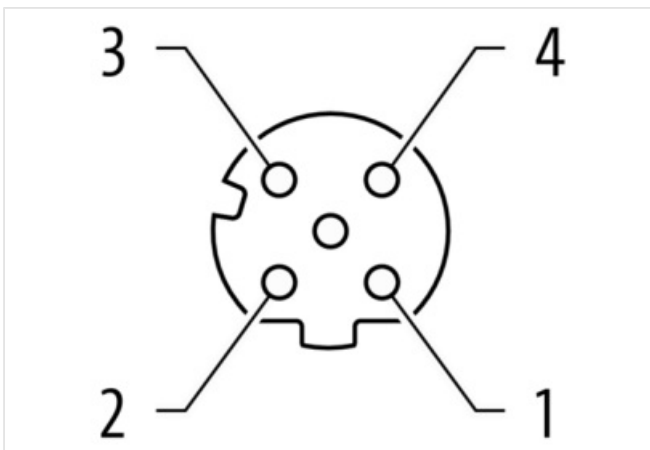
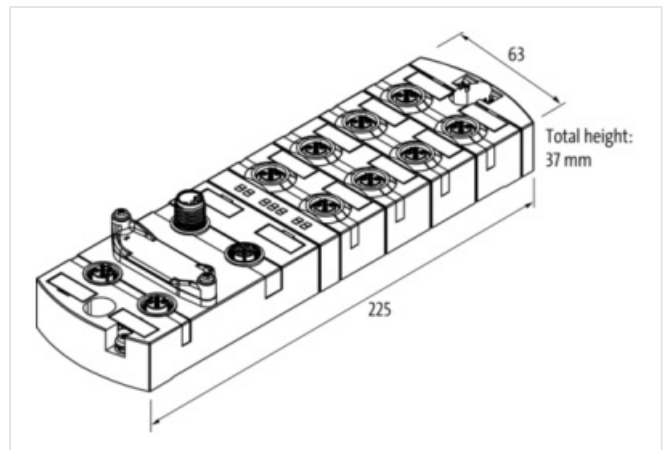
Galvanic isolation

Connection cables are in the online shop under "Connection Technology".

Housing fully potted.

[Link to Product](#)

Illustration



Product may differ from Image



Commercial data

URL Webshop	https://shop.murrelektronik.com/55153
GTIN	4048879852234
Customs tariff number	85389099
ECLASS-6.1	27242604
ECLASS-7.0	27242604
ECLASS-7.1	27242604
ECLASS-8.0	27242604
ECLASS-8.1	27242604
ECLASS-9.0	27242604
ECLASS-9.1	27242604
ECLASS-10.0.1	27242604
ECLASS-10.1	27242604
ECLASS-11.0	27242604
ECLASS-11.1	27242604
ECLASS-12.0	27242604
ECLASS-13.0	27242604
ECLASS-14.0	27242604
customs tariff number	85389099
EAN	4048879852234
Packaging unit	1

Electrical data | Supply

Norm operating voltage	IEC/EN 61131-2
Operating voltage US DC	24 V
Total current US max.	12 A
Total current UA max.	12 A

Electrical data | Input

Sensor current US per input max.	0,2 A
Short-circuit protected	Yes
Overload resistant	Yes
Type input	for 3-wire sensors or mechanical switches, PNP

Industrial communication | Bus data

Supported protocol	Profinet
--------------------	----------

Industrial communication | Profinet

Conformance Class	C
addressing	DCP
Netload Class	III
Specification	V2.3
IRT-network communication	Yes
Fast-Start-Up (FSU)	Yes
Fast start up time max.	0,5 s
Shared device/input	Yes
Number of active connections (IO controller) max.	2

Diagnostics

Actuator warning	per channel via LED and BUS
Cable break	per port
Diagnostic	No voltage, Under voltage
Diagnostic via BUS	per module and channel
Diagnostic via LED	per module and channel
LED display	Ethernet connection/data traffic

Device protection | Electrical

Degree of protection (EN IEC 60529) IP67

Mechanical data | Mounting data

Height	37 mm
Width	63 mm
Depth	225 mm
Suitable for mounting type	2-hole screw mounting

Environmental characteristics | Climatic

Operating temperature min.	-25 °C
Operating temperature max.	55 °C
Ambient temperature (storage, transport)	-25 °C ... 70 °C

Connection types

Connection type 1	X0-X7
Connection type 2	XD1
Connection type 3	XD2
Connection type 4	XF1, XF2