

### Impact67 PN DIO16 M12L 4P

ProfiNet, Compact module,

Art.No.: 55150

Weight: 0.486 kg

Country of origin: DE

Model designation: Impact67 PN DIO16 M12L 4P

Digital inputs/outputs

DIO16 (IRT)

Ethernet 10/100 Mbit/s; M12, D-coded

M12 Power, 4-pole, L-coded

M12, 5-pole, A-coded

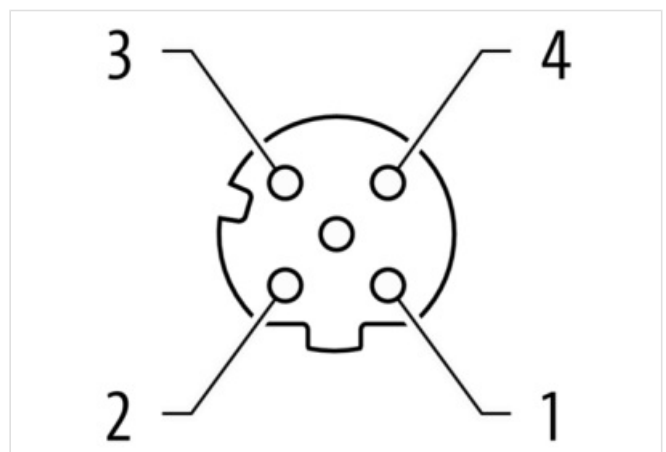
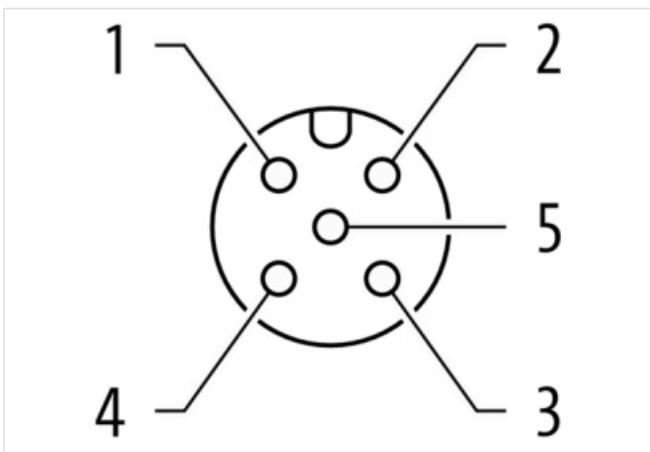
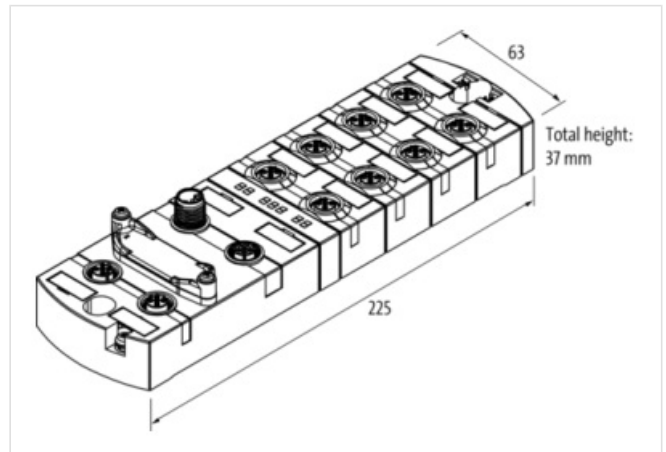
Connection cables are in the online shop under "Connection Technology".

Housing fully potted.

mounting compatible with I/O modules of the MVK series

### Link to Product

#### Illustration



Product may differ from Image



#### Commercial data

The information in this Product-PDF has been compiled with the utmost care.

Liability for the correctness completeness and topicality of the information is restricted to gross negligence. Version: 2026-05-19

Murrelektronik GmbH | Grabenstraße 29 | 71570 Oppenweiler | Fon +49 (71 91) 47-0 | Fax +49 (71 91) 47-491000 | shop@murrelektronik.com | shop.murrelektronik.com

URL Webshop	<a href="https://shop.murrelektronik.com/55150">https://shop.murrelektronik.com/55150</a>
GTIN	4048879735742
Customs tariff number	85389099
ECLASS-6.0	27242604
ECLASS-6.1	27242604
ECLASS-7.0	27242604
ECLASS-7.1	27242604
ECLASS-8.0	27242604
ECLASS-8.1	27242604
ECLASS-9.0	27242604
ECLASS-9.1	27242604
ECLASS-10.0.1	27242604
ECLASS-10.1	27242604
ECLASS-11.0	27242604
ECLASS-11.1	27242604
ECLASS-12.0	27242604
ECLASS-13.0	27242604
ECLASS-14.0	27242604
ETIM-5.0	EC001599
ETIM-6.0	EC001599
ETIM-7.0	EC001599
ETIM-8.0	EC001599
customs tariff number	85389099
EAN	4048879735742
Packaging unit	1

**Electrical data | Supply**

Norm operating voltage	IEC/EN 61131-2
Operating voltage US DC	24 V
Total current US max.	16 A
Operating voltage UA DC	24 V
Total current UA max.	16 A

**Electrical data | Input**

Sensor current US per input max.	0,2 A
Short-circuit protected	Yes
Overload resistant	Yes
Type input	for 3-wire sensors or mechanical switches, PNP

**Electrical data | Output**

Output current per pin max.	1,6 A
Total current outputs max.	9 A
Overload resistant	Yes
Short-circuit protected	Yes
Lamp load	10 W

**Industrial communication | Bus data**

Supported protocol	Profinet
--------------------	----------

**Industrial communication | Profinet**

Conformance Class	C
addressing	DCP
Netload Class	III
Specification	V2.3
IRT-network communication	Yes
Fast-Start-Up (FSU)	Yes
Fast start up time max.	0,5 s

Shared device/input	Yes
Number of active connections (IO controller) max.	2
<b>Diagnostics</b>	
Actuator warning	per channel via LED and BUS
Cable break	per port
Diagnostic	No voltage, Under voltage
Diagnostic via BUS	per module and channel
Diagnostic via LED	per module and channel
LED display	Ethernet connection/data traffic
<b>Device protection   Electrical</b>	
Degree of protection (EN IEC 60529)	IP67
<b>Mechanical data   Mounting data</b>	
Height	37 mm
Width	63 mm
Depth	225 mm
Suitable for mounting type	2-hole screw mounting
<b>Environmental characteristics   Climatic</b>	
Operating temperature min.	-25 °C
Operating temperature max.	55 °C
Ambient temperature (storage, transport)	-25 °C ... 70 °C
<b>Connection types</b>	
Connection type 1	X4-X7
Connection type 2	XD1
Connection type 3	XD2
Connection type 4	XF1, XF2