

**IMPACT67 E DIO16 4P**

IMPACT67 EthernetIP compact module, plastic housing,

Art.No.: 55142

Weight: 0.487 kg

Country of origin: DE

Model designation: IMPACT67 E DIO16 4P

Digital inputs/outputs

DIO16

Ethernet 10/100 Mbit/s; M12, D-coded

7/8", 4-pole, 2x max. 9 A

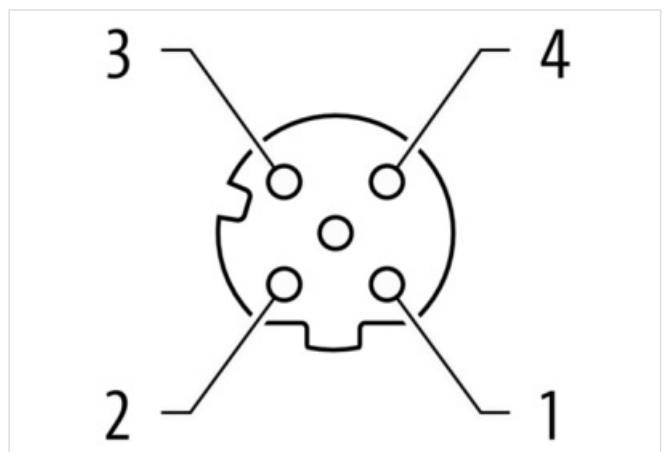
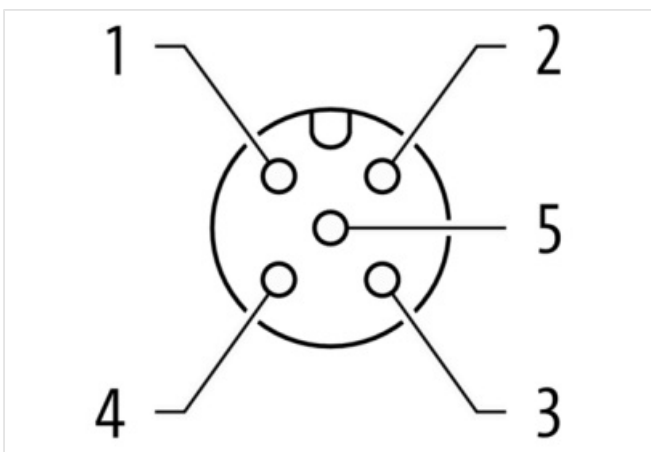
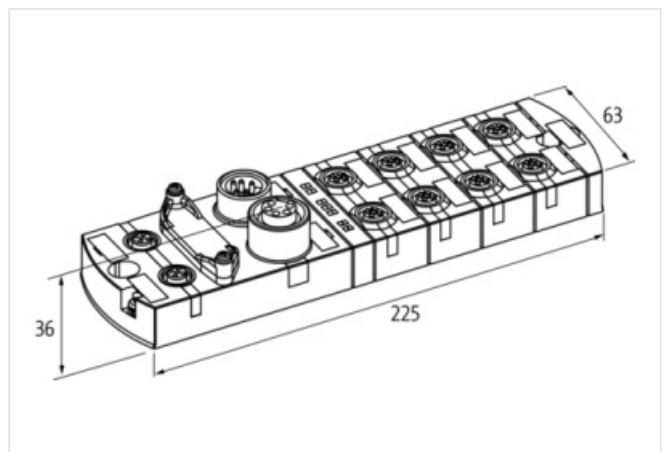
M12, 5-pole, A-coded

Device Level Ring (DLR)

Connection cables are in the online shop under "Connection Technology".

Housing fully potted.

mounting compatible with I/O modules of the MVK series

[Link to Product](#)
**Illustration**


Product may differ from Image



Commercial data	
URL Webshop	<a href="https://shop.murrelektronik.com/55142">https://shop.murrelektronik.com/55142</a>
GTIN	4048879699723
Customs tariff number	85389099
ECLASS-6.0	27242604
ECLASS-6.1	27242604
ECLASS-7.0	27242604
ECLASS-7.1	27242604
ECLASS-8.0	27242604
ECLASS-8.1	27242604
ECLASS-9.0	27242604
ECLASS-9.1	27242604
ECLASS-10.0.1	27242604
ECLASS-10.1	27242604
ECLASS-11.0	27242604
ECLASS-11.1	27242604
ECLASS-12.0	27242604
ECLASS-13.0	27242604
ECLASS-14.0	27242604
ETIM-5.0	EC001599
ETIM-6.0	EC001599
ETIM-7.0	EC001599
ETIM-8.0	EC001599
customs tariff number	85389099
EAN	4048879699723
Packaging unit	1
Electrical data   Supply	
Norm operating voltage	IEC/EN 61131-2
Operating voltage US DC	24 V
Total current US max.	9 A
Operating voltage UA DC	24 V
Total current UA max.	9 A
Electrical data   Input	
Sensor current US per input max.	0,2 A
Short-circuit protected	Yes
Overload resistant	Yes
Type input	for 3-wire sensors or mechanical switches, PNP
Electrical data   Output	
Output current per pin max.	1,6 A
Overload resistant	Yes
Short-circuit protected	Yes
Lamp load	10 W
Industrial communication   Ethernet/IP	
Addressing	BOOTP, DIP switch, DHCP
CIP Sync	Yes
Device Level Ring (DLR)	Yes
Multiple connections	Yes
Composite Test Revision	CT14
Supports quick connection (QC) max.	360 ms
Diagnostics	
Actuator warning	per channel via LED and BUS

Diagnostic	No voltage, Under voltage
Diagnostic via BUS	per module and channel
Diagnostic via LED	per module and channel
LED display	Ethernet connection/data traffic

#### Device protection | Electrical

Degree of protection (EN IEC 60529)	IP67
-------------------------------------	------

#### Mechanical data | Mounting data

Height	39 mm
Width	63 mm
Depth	225 mm
Suitable for mounting type	2-hole screw mounting

#### Environmental characteristics | Climatic

Operating temperature min.	-25 °C
Operating temperature max.	55 °C
Ambient temperature (storage, transport)	-40 °C ... 85 °C

#### Connection type 4

Connection type 1	X0-X7
Connection type 2	XD1
Connection type 3	XD2
Connection type 4	XF1, XF2
Family construction form	M12
No. of poles	5
Coding	A
Gender	female
Color contact carrier	black
PIN 1	24 V DC
PIN 2	DI / DO
PIN 3	0 V
PIN 4	DI / DO
PIN 5	PE
Family construction form	7/8"
No. of poles	4
Gender	male
Color contact carrier	black
PIN 1	24 V DC (UA)
PIN 2	24 V DC (US)
PIN 3	0 V
PIN 4	0 V
Family construction form	7/8"
No. of poles	4
Gender	female
Color contact carrier	black
PIN 1	24 V DC (UA)
PIN 2	24 V DC (US)
PIN 3	0 V
PIN 4	0 V
Family construction form	M12
No. of poles	4
Coding	D
Gender	female
Color contact carrier	black
Mounting method	inserted, screwed

Tightening torque	0,6 Nm
PIN 1	TD +
PIN 2	RD +
PIN 3	TD -
PIN 4	RD -
PIN 5	n.c.