

Impact67 PN DIO16 IRT 7/8" 5pin

Art.No.: 55130
 Weight: 0.590 kg
 Country of origin: DE
 Model designation: Impact67 PN DIO16 IRT

Digital inputs/outputs

DIO16 (IRT)

Ethernet 10/100 Mbit/s; M12, D-coded

7/8", 5-pole, 2x max. 9 A

M12, 5-pole, A-coded

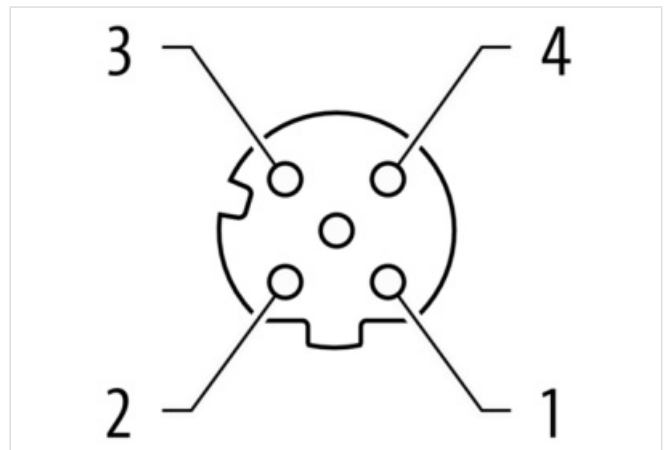
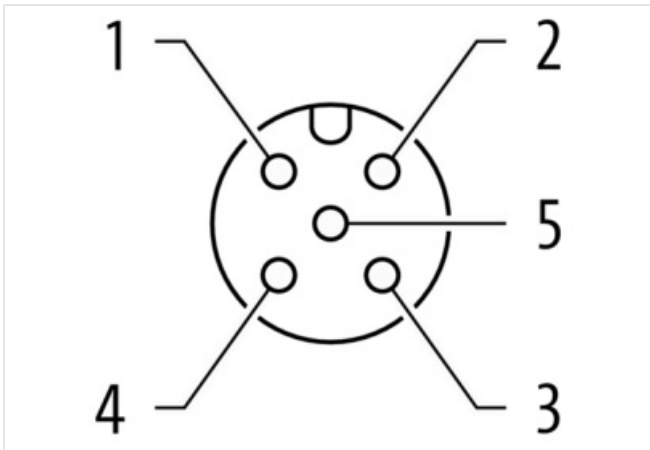
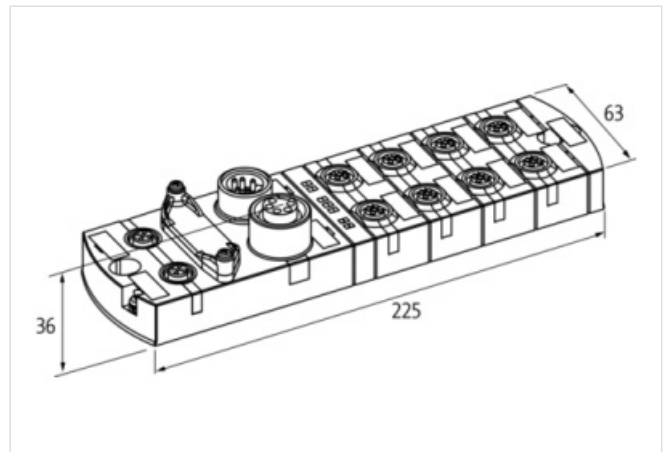
Connection cables are in the online shop under "Connection Technology".

Housing fully potted.

mounting compatible with I/O modules of the MVK series

Link to Product

Illustration



Product may differ from Image



Commercial data

URL Webshop

<https://shop.murrelektronik.com/55130>

The information in this Product-PDF has been compiled with the utmost care.

Liability for the correctness completeness and topicality of the information is restricted to gross negligence. Version: 2026-05-18

Murrelektronik GmbH | Grabenstraße 29 | 71570 Oppenweiler | Fon +49 (71 91) 47-0 | Fax +49 (71 91) 47-491000 | shop@murrelektronik.com | shop.murrelektronik.com

| | |
|-----------------------|---------------|
| GTIN | 4048879585453 |
| Customs tariff number | 85389099 |
| ECLASS-6.0 | 27242604 |
| ECLASS-6.1 | 27242604 |
| ECLASS-7.0 | 27242604 |
| ECLASS-7.1 | 27242604 |
| ECLASS-8.0 | 27242604 |
| ECLASS-8.1 | 27242604 |
| ECLASS-9.0 | 27242604 |
| ECLASS-9.1 | 27242604 |
| ECLASS-10.0.1 | 27242604 |
| ECLASS-10.1 | 27242604 |
| ECLASS-11.0 | 27242604 |
| ECLASS-11.1 | 27242604 |
| ECLASS-12.0 | 27242604 |
| ECLASS-13.0 | 27242604 |
| ECLASS-14.0 | 27242604 |
| ETIM-5.0 | EC001599 |
| ETIM-6.0 | EC001599 |
| ETIM-7.0 | EC001599 |
| ETIM-8.0 | EC001599 |
| customs tariff number | 85389099 |
| EAN | 4048879585453 |
| Packaging unit | 1 |

Electrical data | Supply

| | |
|-------------------------|----------------|
| Norm operating voltage | IEC/EN 61131-2 |
| Operating voltage US DC | 24 V |
| Total current US max. | 9 A |
| Operating voltage UA DC | 24 V |
| Total current UA max. | 9 A |

Electrical data | Input

| | |
|----------------------------------|--|
| Sensor current US per input max. | 0,2 A |
| Short-circuit protected | Yes |
| Overload resistant | Yes |
| Type input | for 3-wire sensors or mechanical switches, PNP |

Electrical data | Output

| | |
|-----------------------------|-------|
| Output current per pin max. | 1,6 A |
| Overload resistant | Yes |
| Short-circuit protected | Yes |
| Lamp load | 10 W |

Industrial communication | Bus data

| | |
|--------------------|----------|
| Supported protocol | Profinet |
|--------------------|----------|

Industrial communication | Profinet

| | |
|---|-------|
| Conformance Class | C |
| addressing | DCP |
| Netload Class | III |
| Specification | V2.3 |
| IRT-network communication | Yes |
| Fast-Start-Up (FSU) | Yes |
| Fast start up time max. | 0,5 s |
| Shared device/input | Yes |
| Number of active connections (IO controller) max. | 2 |

Diagnostics

| | |
|--------------------|----------------------------------|
| Actuator warning | per channel via LED and BUS |
| Cable break | per port |
| Diagnostic | No voltage, Under voltage |
| Diagnostic via BUS | per module and channel |
| Diagnostic via LED | per module and channel |
| LED display | Ethernet connection/data traffic |

Device protection | Electrical

| | |
|-------------------------------------|------|
| Degree of protection (EN IEC 60529) | IP67 |
|-------------------------------------|------|

Mechanical data | Mounting data

| | |
|----------------------------|-----------------------|
| Height | 39 mm |
| Width | 63 mm |
| Depth | 225 mm |
| Suitable for mounting type | 2-hole screw mounting |

Environmental characteristics | Climatic

| | |
|--|------------------|
| Operating temperature min. | -25 °C |
| Operating temperature max. | 55 °C |
| Ambient temperature (storage, transport) | -25 °C ... 70 °C |

Connection types

| | |
|-------------------|----------|
| Connection type 1 | X0-X7 |
| Connection type 2 | XD1 |
| Connection type 3 | XD2 |
| Connection type 4 | XF1, XF2 |