

IMPACT67 COMPACT MODULE, PLASTIC

Profinet, 16 dig. In

Art.No.: 55091

Weight: 0.530 kg

Country of origin: DE

Model designation: Impact67 PN DI16

Digital inputs

DI16

Ethernet 10/100 Mbit/s; M12, D-coded

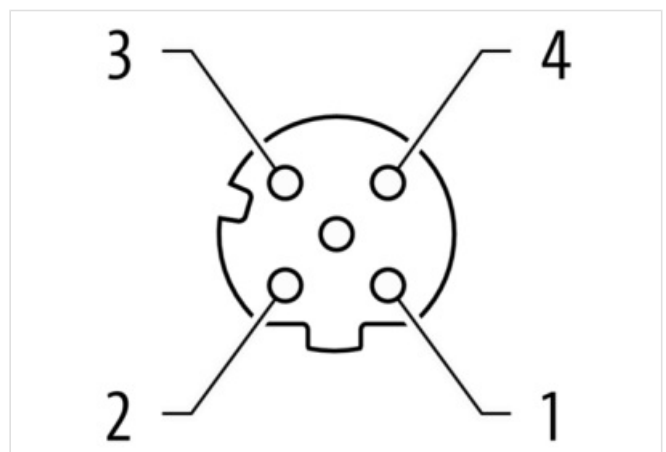
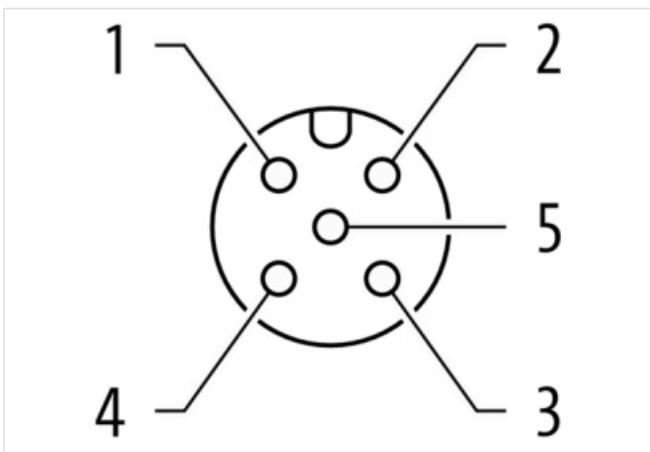
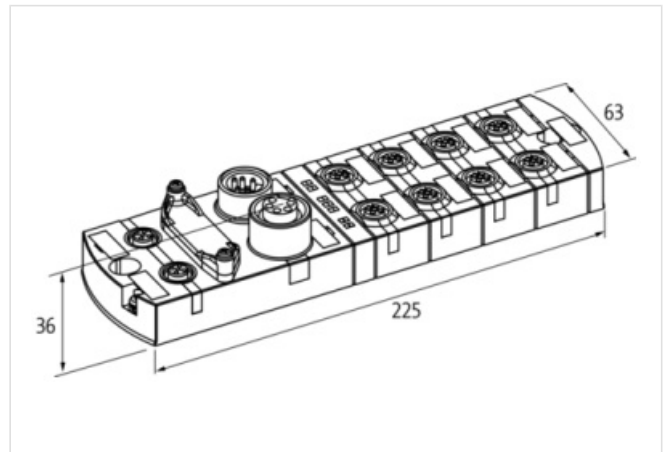
7/8", 5-pole, 2x max. 9 A

M12, 5-pole, A-coded

Connection cables are in the online shop under "Connection Technology".

Housing fully potted.

mounting compatible with I/O modules of the MVK series

[Link to Product](#)**Illustration**

Product may differ from Image

**Commercial data**

The information in this Product-PDF has been compiled with the utmost care.

Liability for the correctness completeness and topicality of the information is restricted to gross negligence. Version: 2026-05-13

Murrelektronik GmbH | Grabenstraße 29 | 71570 Oppenweiler | Fon +49 (71 91) 47-0 | Fax +49 (71 91) 47-491000 | shop@murrelektronik.com | shop.murrelektronik.com

URL Webshop	https://shop.murrelektronik.com/55091
GTIN	4048879051910
Customs tariff number	85389099
ECLASS-6.0	27242604
ECLASS-6.1	27242604
ECLASS-7.0	27242604
ECLASS-7.1	27242604
ECLASS-8.0	27242604
ECLASS-8.1	27242604
ECLASS-9.0	27242604
ECLASS-9.1	27242604
ECLASS-10.0.1	27242604
ECLASS-10.1	27242604
ECLASS-11.0	27242604
ECLASS-11.1	27242604
ECLASS-12.0	27242604
ECLASS-13.0	27242604
ECLASS-14.0	27242604
ETIM-5.0	EC001599
ETIM-6.0	EC001599
ETIM-7.0	EC001599
ETIM-8.0	EC001599
customs tariff number	85389099
EAN	4048879051910
Packaging unit	1
Electrical data Supply	
Norm operating voltage	IEC/EN 61131-2
Operating voltage US DC	24 V
Total current US max.	9 A
Total current UA max.	9 A
Electrical data Input	
Sensor current US per input max.	0,2 A
Short-circuit protected	Yes
Overload resistant	Yes
Type input	for 3-wire sensors or mechanical switches, PNP
Industrial communication Profinet	
addressing	DCP
Diagnostics	
Diagnostic	No voltage, Under voltage
Diagnostic via BUS	per module
Diagnostic via LED	per module and channel
LED display	Ethernet connection/data traffic
Device protection Electrical	
Degree of protection (EN IEC 60529)	IP67
Mechanical data Mounting data	
Height	39 mm
Width	63 mm
Depth	225 mm
Suitable for mounting type	2-hole screw mounting
Environmental characteristics Climatic	
Operating temperature min.	-25 °C

Operating temperature max.	55 °C
Ambient temperature (storage, transport)	-25 °C ... 70 °C

Connection type 4

Connection type 1	0-7
Connection type 2	Port1, Port2
Connection type 3	Power In
Connection type 4	Power Out
Family construction form	M12
No. of poles	5
Coding	A
Gender	female
Color contact carrier	black
PIN 1	24 V DC (US)
PIN 2	DI 10-17
PIN 3	0 V
PIN 4	DI 00-07
PIN 5	PE
Family construction form	M12
No. of poles	4
Coding	D
Gender	female
Color contact carrier	black
Mounting method	inserted, screwed
Tightening torque	0,6 Nm
PIN 1	TD +
PIN 2	RD +
PIN 3	TD -
PIN 4	RD -
PIN 5	n.c.
Family construction form	7/8"
No. of poles	5
Gender	male
Color contact carrier	black
PIN 1	0 V
PIN 2	0 V
PIN 3	PE
PIN 4	24 V DC (US)
PIN 5	24 V DC (UA)
Family construction form	7/8"
No. of poles	5
Gender	female
Color contact carrier	black
PIN 1	0 V
PIN 2	0 V
PIN 3	PE
PIN 4	24 V DC (US)
PIN 5	24 V DC (UA)