

IMPACT67 COMPACT MODULE, PLASTIC

Ethernet/IP, 8 dig. Out

Art.No.: 55087

Weight: 0.440 kg

Country of origin: DE

Model designation: IMPACT67 E DO8/2

Digital outputs

DO8 - 2 A

Ethernet 10/100 Mbit/s; M12, D-coded

7/8", 5-pole, 2x max. 9 A

M12, 5-pole, A-coded

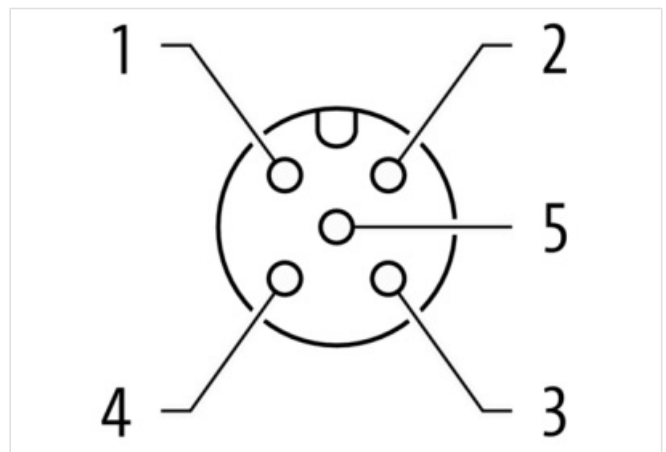
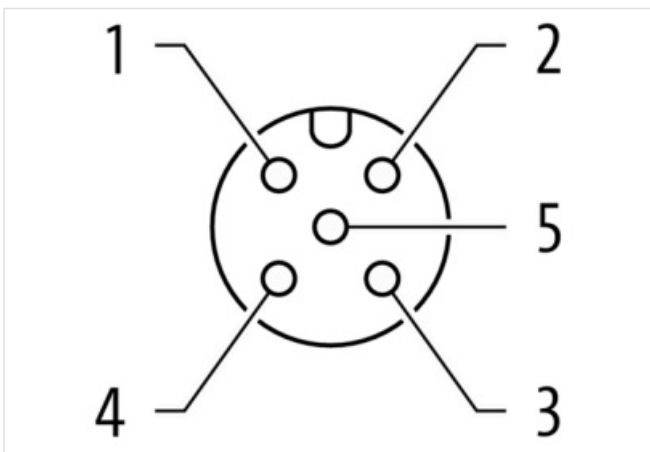
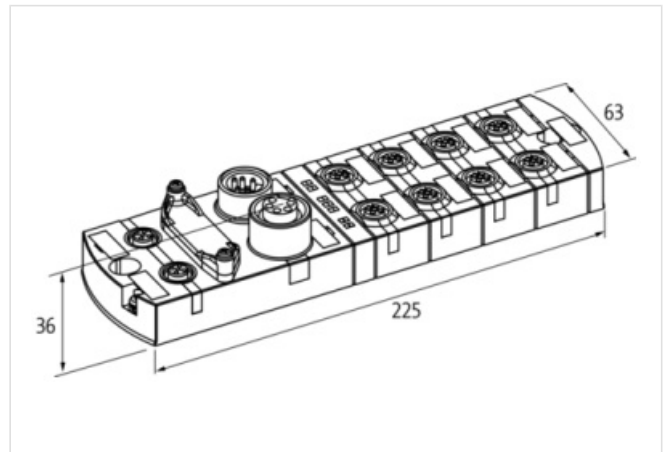
Connection cables are in the online shop under "Connection Technology".

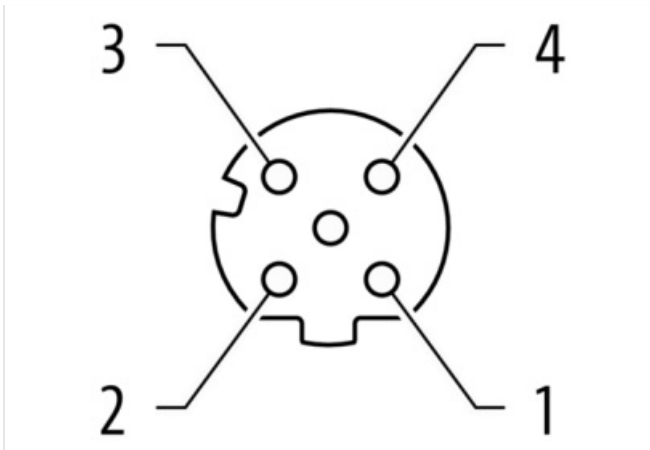
Housing fully potted.

mounting compatible with I/O modules of the MVK series

[Link to Product](#)

Illustration





Product may differ from Image



Commercial data

URL Webshop	https://shop.murrelektronik.com/55087
GTIN	4048879051934
Customs tariff number	85389099
ECLASS-6.0	27242604
ECLASS-6.1	27242604
ECLASS-7.0	27242604
ECLASS-7.1	27242604
ECLASS-8.0	27242604
ECLASS-8.1	27242604
ECLASS-9.0	27242604
ECLASS-9.1	27242604
ECLASS-10.0.1	27242604
ECLASS-10.1	27242604
ECLASS-11.0	27242604
ECLASS-11.1	27242604
ECLASS-12.0	27242604
ECLASS-13.0	27242604
ECLASS-14.0	27242604
ETIM-5.0	EC001599
ETIM-6.0	EC001599
ETIM-7.0	EC001599
ETIM-8.0	EC001599
customs tariff number	85389099
EAN	4048879051934
Packaging unit	1

Electrical data | Supply

Total current US max.	9 A
Total current UA max.	9 A

Electrical data | Output

Output current per pin max.	2 A
Overload resistant	Yes
Short-circuit protected	Yes

The information in this Product-PDF has been compiled with the utmost care.

Liability for the correctness completeness and topicality of the information is restricted to gross negligence. Version: 2026-05-02

Murrelektronik GmbH | Grabenstraße 29 | 71570 Oppenweiler | Fon +49 (71 91) 47-0 | Fax +49 (71 91) 47-491000 | shop@murrelektronik.com | shop.murrelektronik.com

Industrial communication Ethernet/IP	
Addressing	Rotary switch, BOOTP, DHCP
Diagnostics	
Diagnostic	No voltage, Under voltage
Diagnostic via BUS	per module and channel
Diagnostic via LED	per module and channel
LED display	Ethernet connection/data traffic
Device protection Electrical	
Degree of protection (EN IEC 60529)	IP67
Mechanical data Mounting data	
Height	39 mm
Width	63 mm
Depth	225 mm
Suitable for mounting type	2-hole screw mounting
Environmental characteristics Climatic	
Operating temperature min.	-25 °C
Operating temperature max.	55 °C
Ambient temperature (storage, transport)	-25 °C ... 70 °C
Connection type 5	
Connection type 1	0, 2, 4, 6
Connection type 2	1, 3, 5, 7
Connection type 3	Port1, Port2
Connection type 4	Power In
Connection type 5	Power Out
Family construction form	M12
No. of poles	5
Coding	A
Gender	female
Color contact carrier	black
PIN 1	n.c.
PIN 2	DO 01 03 05 07
PIN 3	0 V
PIN 4	DO 00 02 04 06
PIN 5	PE
Family construction form	M12
No. of poles	5
Coding	A
Gender	female
Color contact carrier	black
PIN 1	n.c.
PIN 2	n.c.
PIN 3	0 V
PIN 4	DO 01 03 05 07
PIN 5	PE
Family construction form	M12
No. of poles	4
Coding	D
Gender	female
Color contact carrier	black
Mounting method	inserted, screwed
Tightening torque	0,6 Nm
PIN 1	TD +

PIN 2	RD +
PIN 3	TD -
PIN 4	RD -
PIN 5	n.c.
Family construction form	7/8"
No. of poles	5
Gender	male
Color contact carrier	black
PIN 1	0 V
PIN 2	0 V
PIN 3	PE
PIN 4	24 V DC (US)
PIN 5	24 V DC (UA)
Family construction form	7/8"
No. of poles	5
Gender	female
Color contact carrier	black
PIN 1	0 V
PIN 2	0 V
PIN 3	PE
PIN 4	24 V DC (US)
PIN 5	24 V DC (UA)