

IMPACT67 COMPACT MODULE, PLASTIC

Ethernet/IP, 8 dig. In + 8 dig. Out

Art.No.: 55086

Weight: 0.440 kg

Country of origin: DE

Model designation: IMPACT67 E DI8 DO8/2

Digital inputs/outputs

DI8 DO8 - 2 A

Ethernet 10/100 Mbit/s; M12, D-coded

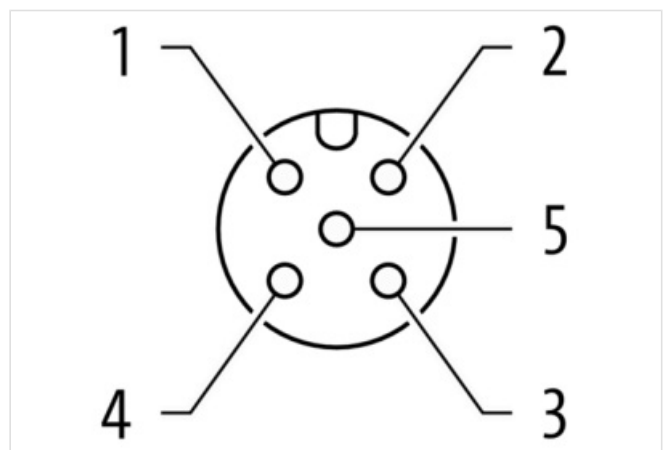
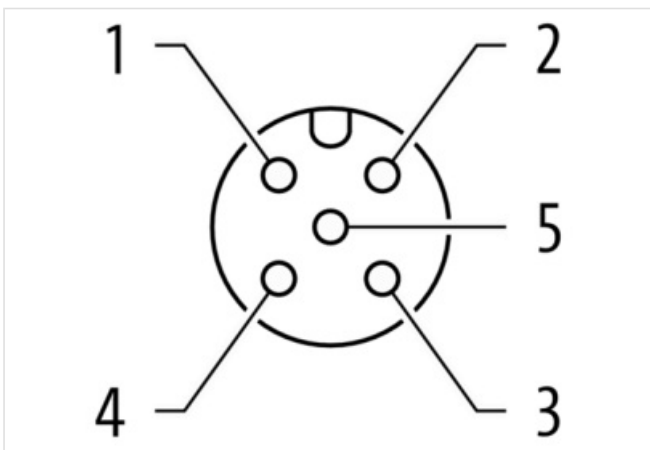
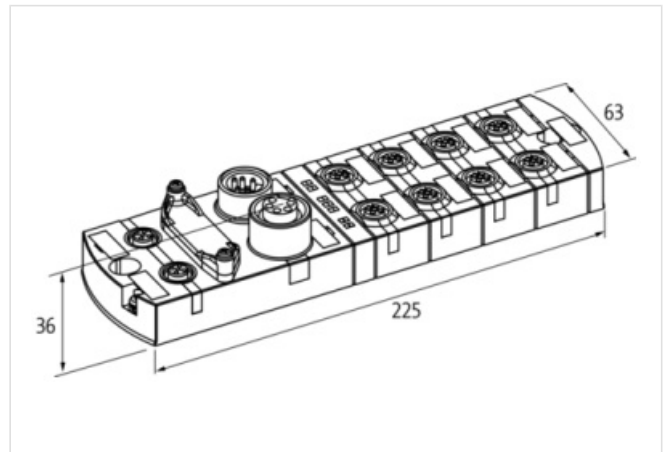
7/8", 5-pole, 2x max. 9 A

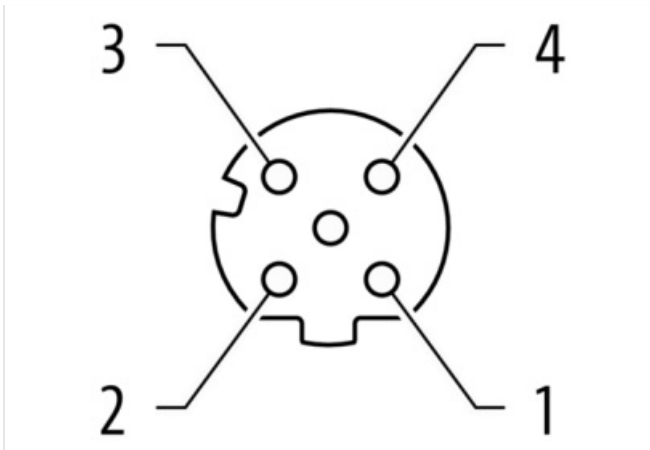
M12, 5-pole, A-coded

Connection cables are in the online shop under "Connection Technology".

Housing fully potted.

mounting compatible with I/O modules of the MVK series

[Link to Product](#)**Illustration**



Product may differ from Image



Commercial data

URL Webshop	https://shop.murrelektronik.com/55086
GTIN	4048879051941
Customs tariff number	85389099
ECLASS-6.0	27242604
ECLASS-6.1	27242604
ECLASS-7.0	27242604
ECLASS-7.1	27242604
ECLASS-8.0	27242604
ECLASS-8.1	27242604
ECLASS-9.0	27242604
ECLASS-9.1	27242604
ECLASS-10.0.1	27242604
ECLASS-10.1	27242604
ECLASS-11.0	27242604
ECLASS-11.1	27242604
ECLASS-12.0	27242604
ECLASS-13.0	27242604
ECLASS-14.0	27242604
ETIM-5.0	EC001599
ETIM-6.0	EC001599
ETIM-7.0	EC001599
ETIM-8.0	EC001599
customs tariff number	85389099
EAN	4048879051941
Packaging unit	1

Electrical data | Supply

Norm operating voltage	IEC/EN 61131-2
Operating voltage US DC	24 V
Total current US max.	9 A
Total current UA max.	9 A

Electrical data | Input

Sensor current US per input max.	0,2 A
----------------------------------	-------

Short-circuit protected	Yes
Overload resistant	Yes
Type input	for 3-wire sensors or mechanical switches, PNP
Electrical data Output	
Output current per pin max.	2 A
Overload resistant	Yes
Short-circuit protected	Yes
Industrial communication Ethernet/IP	
Addressing	Rotary switch, BOOTP, DHCP
Diagnostics	
Diagnostic	No voltage, Under voltage
Diagnostic via BUS	per module and channel
Diagnostic via LED	per module and channel
LED display	Ethernet connection/data traffic
Device protection Electrical	
Degree of protection (EN IEC 60529)	IP67
Mechanical data Mounting data	
Height	39 mm
Width	63 mm
Depth	225 mm
Suitable for mounting type	2-hole screw mounting
Environmental characteristics Climatic	
Operating temperature min.	-25 °C
Operating temperature max.	55 °C
Ambient temperature (storage, transport)	-25 °C ... 70 °C
Connection type 5	
Connection type 1	0-3
Connection type 2	4-7
Connection type 3	Port1, Port2
Connection type 4	Power In
Connection type 5	Power Out
Family construction form	M12
No. of poles	5
Coding	A
Gender	female
Color contact carrier	black
PIN 1	n.c.
PIN 2	DO 04-07
PIN 3	0 V
PIN 4	DO 00-03
PIN 5	PE
Family construction form	M12
No. of poles	5
Coding	A
Gender	female
Color contact carrier	black
PIN 1	24 V DC (US)
PIN 2	DI 04-07
PIN 3	0 V
PIN 4	DI 00-03
PIN 5	PE

Family construction form	M12
No. of poles	4
Coding	D
Gender	female
Color contact carrier	black
Mounting method	inserted, screwed
Tightening torque	0,6 Nm
PIN 1	TD +
PIN 2	RD +
PIN 3	TD -
PIN 4	RD -
PIN 5	n.c.
Family construction form	7/8"
No. of poles	5
Gender	male
Color contact carrier	black
PIN 1	0 V
PIN 2	0 V
PIN 3	PE
PIN 4	24 V DC (US)
PIN 5	24 V DC (UA)
Family construction form	7/8"
No. of poles	5
Gender	female
Color contact carrier	black
PIN 1	0 V
PIN 2	0 V
PIN 3	PE
PIN 4	24 V DC (US)
PIN 5	24 V DC (UA)