

**IMPACT67 COMPACT MODULE, PLASTIC**

Ethercat, 16 dig Out

Art.No.: 55084

Weight: 0.440 kg

Country of origin: DE

Model designation: IMPACT67 EC DO 16/0,5A

Digital outputs

DO16 - 0.5 A

Ethernet 10/100 Mbit/s; M12, D-coded

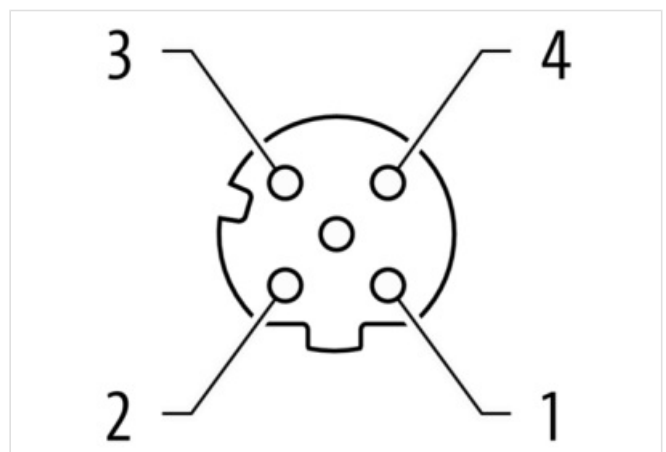
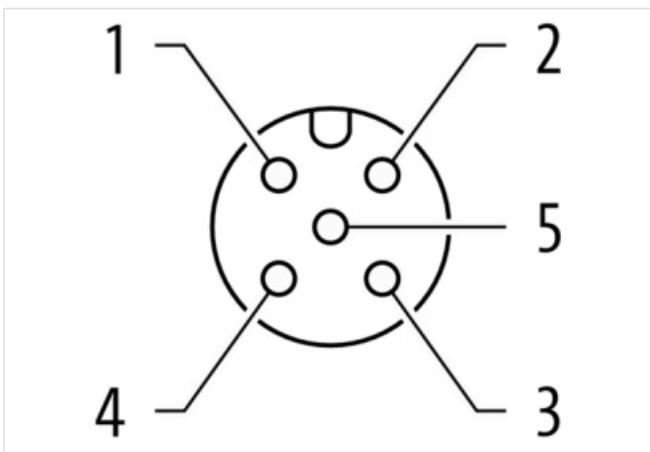
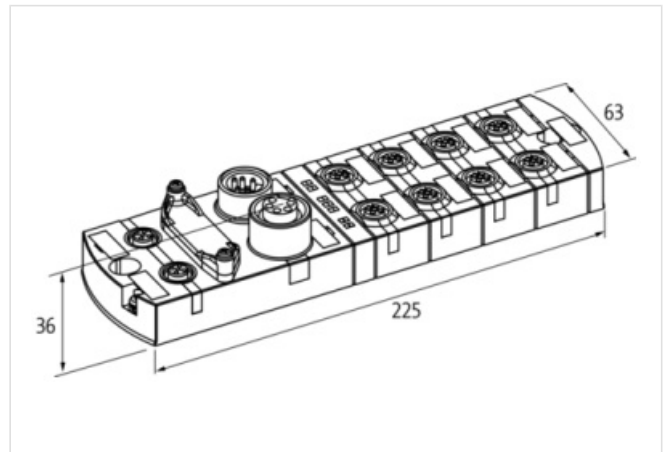
7/8", 5-pole, 2x max. 9 A

M12, 5-pole, A-coded

Connection cables are in the online shop under "Connection Technology".

Housing fully potted.

mounting compatible with I/O modules of the MVK series

[Link to Product](#)**Illustration**

Product may differ from Image

**Commercial data**

The information in this Product-PDF has been compiled with the utmost care.

Liability for the correctness completeness and topicality of the information is restricted to gross negligence. Version: 2026-05-19

Murrelektronik GmbH | Grabenstraße 29 | 71570 Oppenweiler | Fon +49 (71 91) 47-0 | Fax +49 (71 91) 47-491000 | shop@murrelektronik.com | shop.murrelektronik.com

URL Webshop	<a href="https://shop.murrelektronik.com/55084">https://shop.murrelektronik.com/55084</a>
GTIN	4048879051965
Customs tariff number	85389099
ECLASS-6.0	27242604
ECLASS-6.1	27242604
ECLASS-7.0	27242604
ECLASS-7.1	27242604
ECLASS-8.0	27242604
ECLASS-8.1	27242604
ECLASS-9.0	27242604
ECLASS-9.1	27242604
ECLASS-10.0.1	27242604
ECLASS-10.1	27242604
ECLASS-11.0	27242604
ECLASS-11.1	27242604
ECLASS-12.0	27242604
ECLASS-13.0	27242604
ECLASS-14.0	27242604
ETIM-5.0	EC001599
ETIM-6.0	EC001599
ETIM-7.0	EC001599
ETIM-8.0	EC001599
customs tariff number	85389099
EAN	4048879051965
Packaging unit	1

**Electrical data | Supply**

Total current US max.	9 A
Total current UA max.	9 A

**Electrical data | Output**

Output current per pin max.	0,5 A
Overload resistant	Yes
Short-circuit protected	Yes

**Industrial communication | Bus data**

Address setting type	automatic, Rotary switch
----------------------	--------------------------

**Diagnostics**

Diagnostic	No voltage, Under voltage
Diagnostic via BUS	per module and channel
Diagnostic via LED	per module and channel
LED display	Ethernet connection/data traffic

**Device protection | Electrical**

Degree of protection (EN IEC 60529)	IP67
-------------------------------------	------

**Mechanical data | Mounting data**

Height	39 mm
Width	63 mm
Depth	225 mm
Suitable for mounting type	2-hole screw mounting

**Environmental characteristics | Climatic**

Operating temperature min.	0 °C
Operating temperature max.	55 °C
Ambient temperature (storage, transport)	-25 °C ... 70 °C

**Connection types**

Connection type 1	0-7
Connection type 2	Port1, Port2
Connection type 3	Power In
Connection type 4	Power Out