

IMPACT67 COMPACT MODULE, PLASTIC

Ethercat, 8 dig. Out

Art.No.: 55083

Weight: 0.440 kg

Country of origin: DE

Model designation: IMPACT67 EC DO8/2

Digital outputs

DO8 - 2 A

Ethernet 10/100 Mbit/s; M12, D-coded

7/8", 5-pole, 2x max. 9 A

M12, 5-pole, A-coded

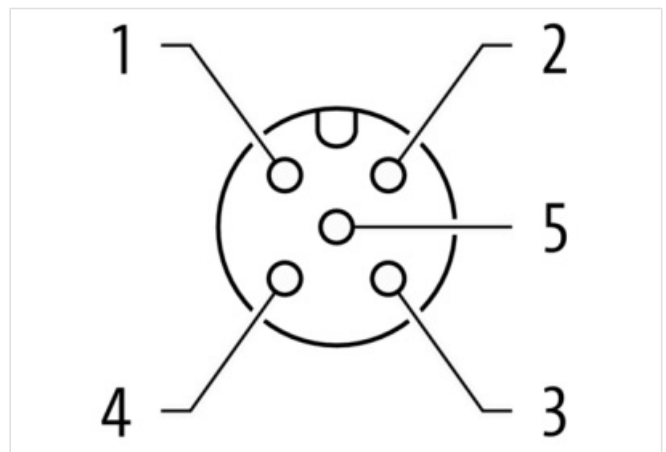
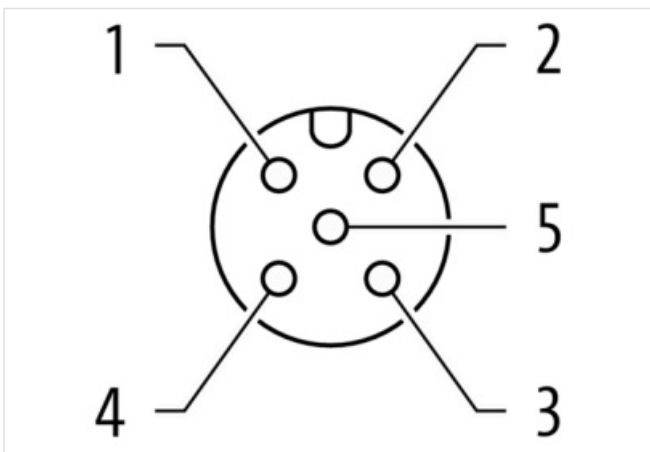
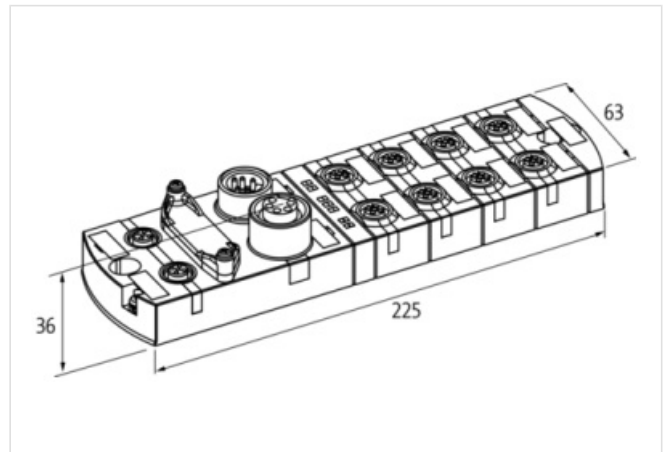
Connection cables are in the online shop under "Connection Technology".

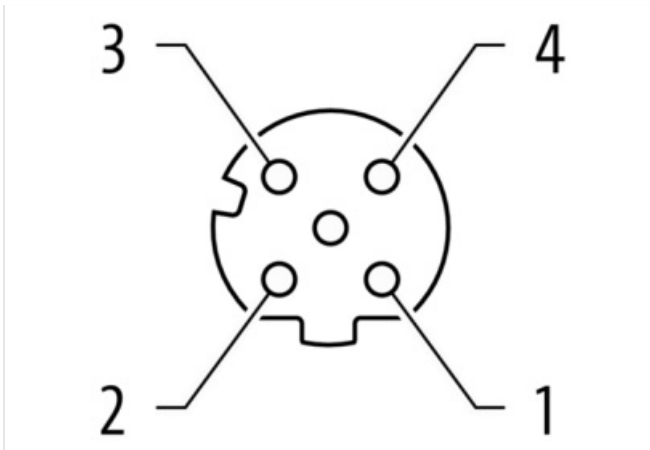
Housing fully potted.

mounting compatible with I/O modules of the MVK series

[Link to Product](#)

Illustration





Product may differ from Image

**Commercial data**

URL Webshop	https://shop.murrelektronik.com/55083
GTIN	4048879051972
Customs tariff number	85389099
ECLASS-6.0	27242604
ECLASS-6.1	27242604
ECLASS-7.0	27242604
ECLASS-7.1	27242604
ECLASS-8.0	27242604
ECLASS-8.1	27242604
ECLASS-9.0	27242604
ECLASS-9.1	27242604
ECLASS-10.0.1	27242604
ECLASS-10.1	27242604
ECLASS-11.0	27242604
ECLASS-11.1	27242604
ECLASS-12.0	27242604
ECLASS-13.0	27242604
ECLASS-14.0	27242604
ETIM-5.0	EC001599
ETIM-6.0	EC001599
ETIM-7.0	EC001599
ETIM-8.0	EC001599
customs tariff number	85389099
EAN	4048879051972
Packaging unit	1

Electrical data | Supply

Total current US max.	9 A
Total current UA max.	9 A

Electrical data | Output

Output current per pin max.	2 A
Overload resistant	Yes
Short-circuit protected	Yes

Industrial communication | Bus data

Address setting type	automatic, Rotary switch
----------------------	--------------------------

Diagnostics

Diagnostic	No voltage, Under voltage
Diagnostic via BUS	per module and channel
Diagnostic via LED	per module and channel
LED display	Ethernet connection/data traffic

Device protection | Electrical

Degree of protection (EN IEC 60529)	IP67
-------------------------------------	------

Mechanical data | Mounting data

Height	39 mm
Width	63 mm
Depth	225 mm
Suitable for mounting type	2-hole screw mounting

Environmental characteristics | Climatic

Operating temperature min.	-25 °C
Operating temperature max.	55 °C
Ambient temperature (storage, transport)	-25 °C ... 70 °C

Connection types

Connection type 1	0, 2, 4, 6
Connection type 2	1, 3, 5, 7
Connection type 3	Port1, Port2
Connection type 4	Power In
Connection type 5	Power Out