

IMPACT67 COMPACT MODULE, PLASTIC

CANopen, 8 dig. Out

Art.No.: 55077

Weight: 0.420 kg

Country of origin: DE

Model designation: IMPACT67 C DO8/2

Digital outputs

DO8 - 2 A

CAN 1 Mbit/s; M12, A-coded

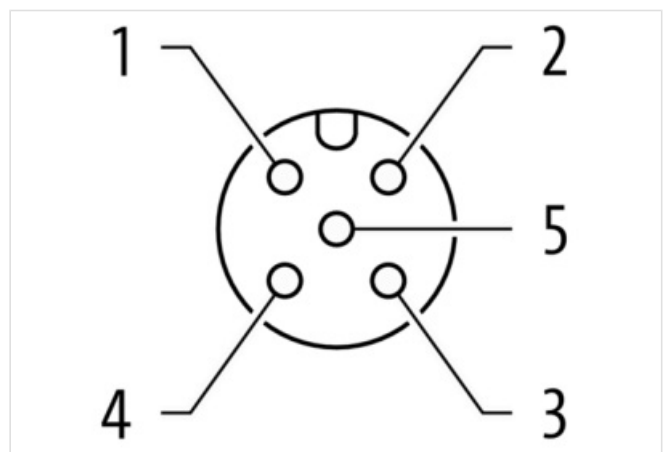
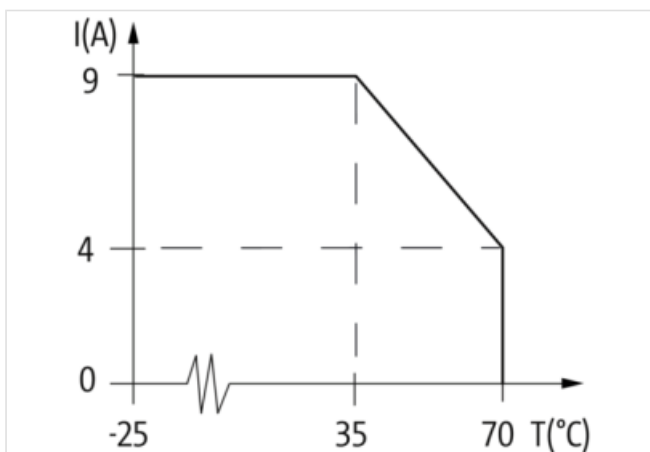
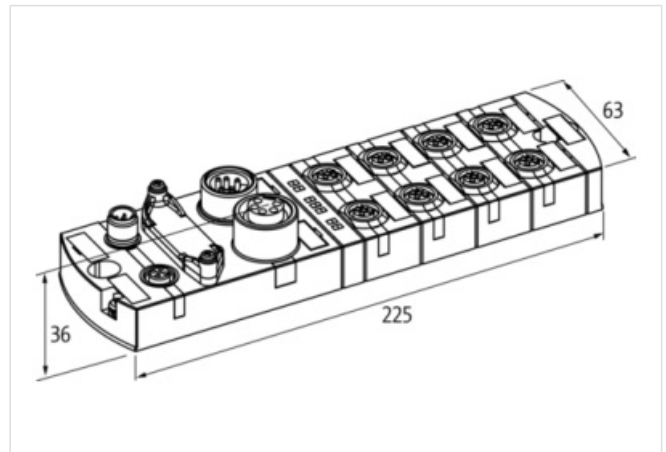
7/8", 5-pole, 2x max. 9 A

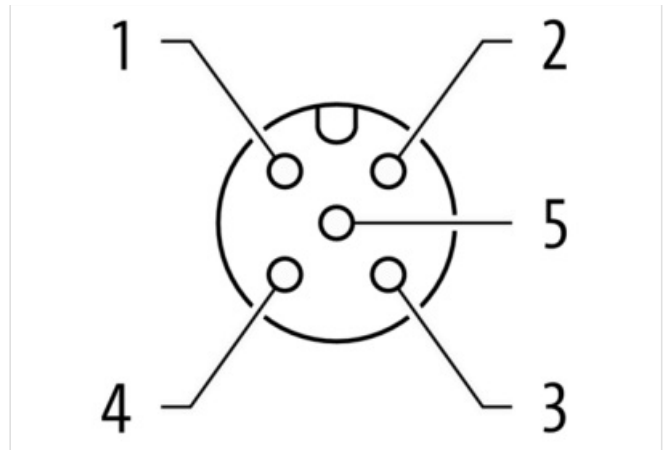
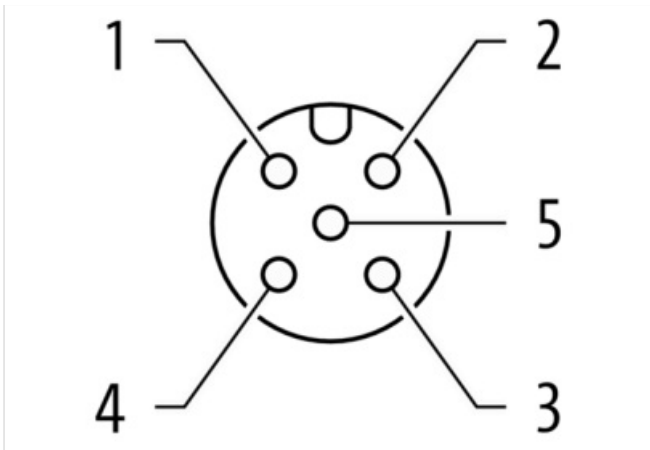
M12, 5-pole, A-coded

Connection cables are in the online shop under "Connection Technology".

Housing fully potted.

mounting compatible with I/O modules of the MVK series

[Link to Product](#)**Illustration**



Product may differ from Image

**Commercial data**

URL Webshop	https://shop.murrelektronik.com/55077
GTIN	4048879052016
Customs tariff number	85389099
ECLASS-6.0	27242604
ECLASS-6.1	27242604
ECLASS-7.0	27242604
ECLASS-7.1	27242604
ECLASS-8.0	27242604
ECLASS-8.1	27242604
ECLASS-9.0	27242604
ECLASS-9.1	27242604
ECLASS-10.0.1	27242604
ECLASS-10.1	27242604
ECLASS-11.0	27242604
ECLASS-11.1	27242604
ECLASS-12.0	27242604
ECLASS-13.0	27242604
ECLASS-14.0	27242604
ETIM-5.0	EC001599
ETIM-6.0	EC001599
ETIM-7.0	EC001599
ETIM-8.0	EC001599
customs tariff number	85389099
EAN	4048879052016
Packaging unit	1

Electrical data | Supply

Total current US max.	9 A
Total current UA max.	9 A

Electrical data | Output

Output current per pin max.	2 A
Overload resistant	Yes
Short-circuit protected	Yes

Industrial communication | Bus data

Address range min.	1
Address range max.	99

Industrial communication | CANopen

CANopen addressing	Rotary switch
--------------------	---------------

Diagnostics

Diagnostic	No voltage, Under voltage
Diagnostic via BUS	per module and channel
Diagnostic via LED	per module and channel
LED display	Ethernet connection/data traffic

Device protection | Electrical

Degree of protection (EN IEC 60529)	IP67
-------------------------------------	------

Mechanical data | Mounting data

Height	39 mm
Width	63 mm
Depth	225 mm
Suitable for mounting type	2-hole screw mounting

Environmental characteristics | Climatic

Operating temperature min.	-25 °C
Operating temperature max.	70 °C
Ambient temperature (storage, transport)	-25 °C ... 70 °C

Connection types

Connection type 1	0, 2, 4, 6
Connection type 2	1, 3, 5, 7
Connection type 3	Bus In
Connection type 4	Bus Out
Connection type 5	Power In
Connection type 6	Power Out