

**IMPACT67 COMPACT MODULE, PLASTIC**

CANopen, 8 dig. In + 8 dig. Out

Art.No.: 55076

Weight: 0.415 kg

Country of origin: DE

Model designation: IMPACT67 C DI8 DO8/2

Digital inputs/outputs

DI8 DO8 - 2 A

CAN 1 Mbit/s; M12, A-coded

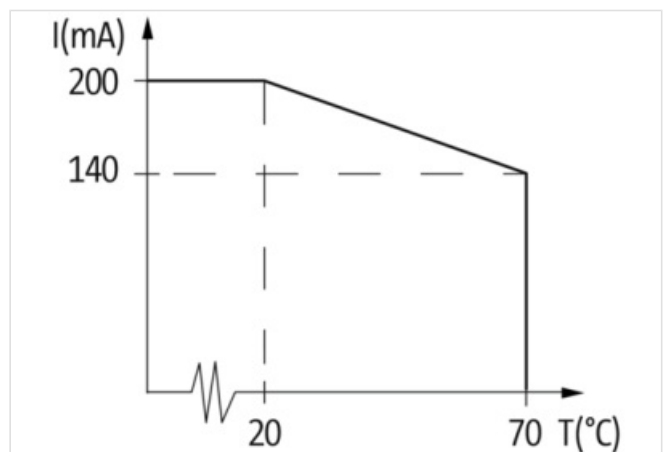
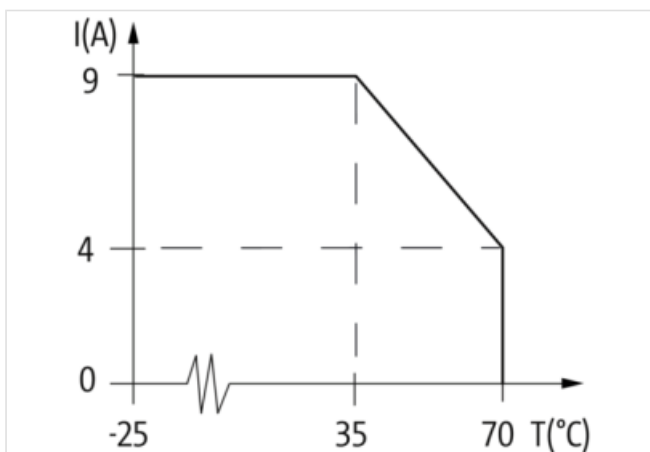
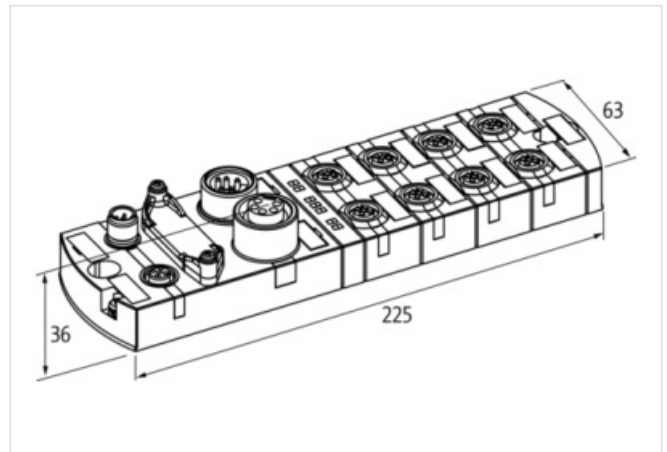
7/8", 5-pole, 2x max. 9 A

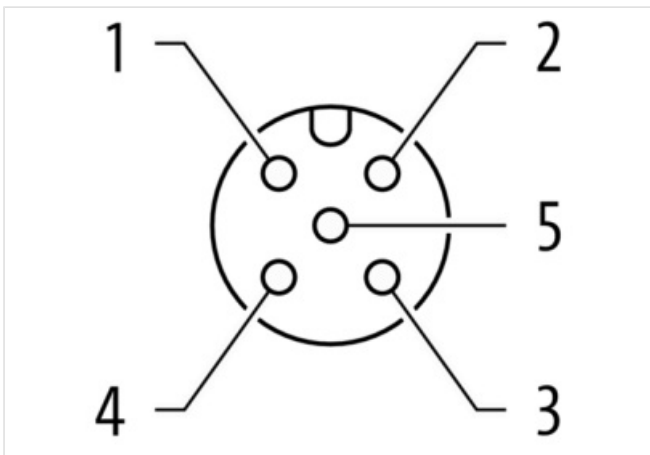
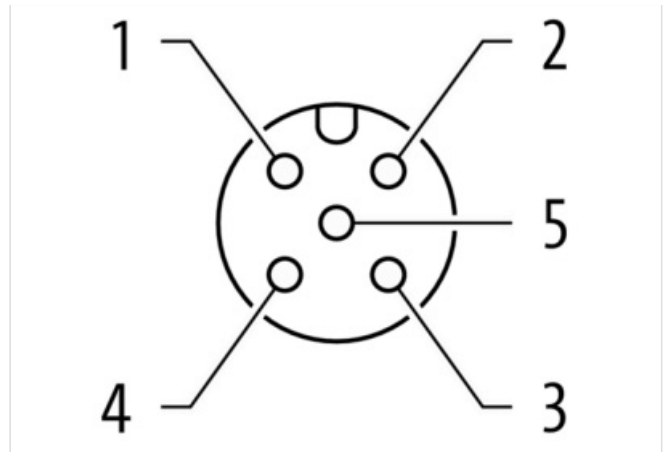
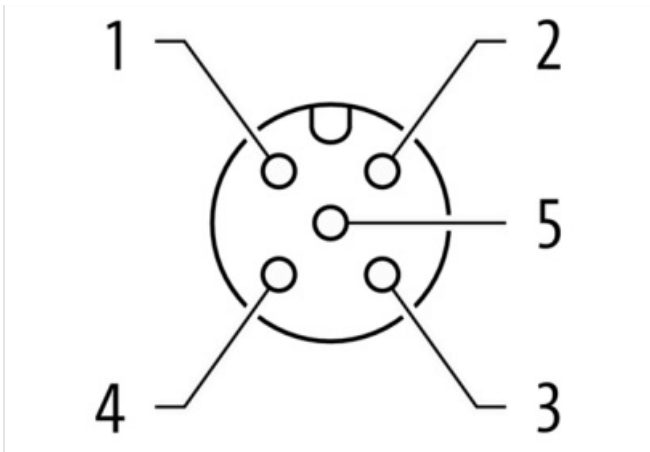
M12, 5-pole, A-coded

Connection cables are in the online shop under "Connection Technology".

Housing fully potted.

mounting compatible with I/O modules of the MVK series

[Link to Product](#)**Illustration**



Product may differ from Image



**Commercial data**

|                       |   |
|-----------------------|---|
| URL Webshop           | <a href="https://shop.murrelektronik.com/55076">https://shop.murrelektronik.com/55076</a> |
| GTIN                  | 4048879052023   |
| Customs tariff number | 85389099  |
| ECLASS-6.0            | 27242604  |
| ECLASS-6.1            | 27242604  |
| ECLASS-7.0            | 27242604  |
| ECLASS-7.1            | 27242604  |
| ECLASS-8.0            | 27242604  |
| ECLASS-8.1            | 27242604  |
| ECLASS-9.0            | 27242604  |
| ECLASS-9.1            | 27242604  |
| ECLASS-10.0.1         | 27242604  |
| ECLASS-10.1           | 27242604  |
| ECLASS-11.0           | 27242604  |
| ECLASS-11.1           | 27242604  |
| ECLASS-12.0           | 27242604  |
| ECLASS-13.0           | 27242604  |
| ECLASS-14.0           | 27242604  |

|                       |               |
|-----------------------|---------------|
| ETIM-5.0              | EC001604      |
| ETIM-6.0              | EC001604      |
| ETIM-7.0              | EC001604      |
| ETIM-8.0              | EC001604      |
| customs tariff number | 85389099      |
| EAN                   | 4048879052023 |
| Packaging unit        | 1             |

**Electrical data | Supply**

|                         |                |
|-------------------------|----------------|
| Norm operating voltage  | IEC/EN 61131-2 |
| Operating voltage US DC | 24 V           |
| Total current US max.   | 9 A            |
| Total current UA max.   | 9 A            |

**Electrical data | Input**

|                                  |       |
|----------------------------------|-------|
| Sensor current US per input max. | 0,2 A |
| Short-circuit protected          | Yes   |
| Overload resistant               | Yes   |

**Electrical data | Output**

|                             |     |
|-----------------------------|-----|
| Output current per pin max. | 2 A |
| Overload resistant          | Yes |
| Short-circuit protected     | Yes |

**Industrial communication | Bus data**

|                    |    |
|--------------------|----|
| Address range min. | 1  |
| Address range max. | 99 |

**Industrial communication | CANopen**

|                    |               |
|--------------------|---------------|
| CANopen addressing | Rotary switch |
|--------------------|---------------|

**Diagnostics**

|                    |                                  |
|--------------------|----------------------------------|
| Diagnostic         | No voltage, Under voltage        |
| Diagnostic via BUS | per module and channel           |
| Diagnostic via LED | per module and channel           |
| LED display        | Ethernet connection/data traffic |

**Device protection | Electrical**

|                                     |      |
|-------------------------------------|------|
| Degree of protection (EN IEC 60529) | IP67 |
|-------------------------------------|------|

**Mechanical data | Mounting data**

|                            |                       |
|----------------------------|-----------------------|
| Height                     | 39 mm                 |
| Width                      | 63 mm                 |
| Depth                      | 225 mm                |
| Suitable for mounting type | 2-hole screw mounting |

**Environmental characteristics | Climatic**

|  |                  |
|--|------------------|
| Operating temperature min.               | -25 °C           |
| Operating temperature max.               | 70 °C            |
| Ambient temperature (storage, transport) | -25 °C ... 70 °C |

**Connection type 6**

|                          |           |
|--------------------------|-----------|
| Connection type 1        | 0-3       |
| Connection type 2        | 4-7       |
| Connection type 3        | Bus In    |
| Connection type 4        | Bus Out   |
| Connection type 5        | Power In  |
| Connection type 6        | Power Out |
| Family construction form | M12       |
| No. of poles             | 5         |

|                          |              |
|--------------------------|--------------|
| Coding                   | A            |
| Gender                   | female       |
| Color contact carrier    | gray         |
| PIN 1                    | n.c.         |
| PIN 2                    | DO 04-07     |
| PIN 3                    | 0 V          |
| PIN 4                    | DO 00-03     |
| PIN 5                    | PE           |
| Family construction form | M12          |
| No. of poles             | 5            |
| Coding                   | A            |
| Gender                   | female       |
| Color contact carrier    | gray         |
| PIN 1                    | 24 V DC (US) |
| PIN 2                    | DI 04-07     |
| PIN 3                    | 0 V          |
| PIN 4                    | DI 00-03     |
| PIN 5                    | PE           |
| Family construction form | M12          |
| No. of poles             | 5            |
| Coding                   | A            |
| Gender                   | male         |
| Color contact carrier    | black        |
| PIN 1                    | PE           |
| PIN 2                    | n.c.         |
| PIN 3                    | CAN_PE       |
| PIN 4                    | CAN_HIGH     |
| PIN 5                    | CAN_LOW      |
| Family construction form | M12          |
| No. of poles             | 5            |
| Coding                   | A            |
| Gender                   | female       |
| Color contact carrier    | black        |
| PIN 1                    | PE           |
| PIN 2                    | n.c.         |
| PIN 3                    | CAN_PE       |
| PIN 4                    | CAN_HIGH     |
| PIN 5                    | CAN_LOW      |
| Family construction form | 7/8"         |
| No. of poles             | 5            |
| Gender                   | male         |
| Color contact carrier    | black        |
| PIN 1                    | 0 V          |
| PIN 2                    | 0 V          |
| PIN 3                    | PE           |
| PIN 4                    | 24 V DC (US) |
| PIN 5                    | 24 V DC (UA) |
| Family construction form | 7/8"         |
| No. of poles             | 5            |
| Gender                   | female       |
| Color contact carrier    | black        |
| PIN 1                    | 0 V          |
| PIN 2                    | 0 V          |
| PIN 3                    | PE           |

---

|       |              |
|-------|--------------|
| PIN 4 | 24 V DC (US) |
| PIN 5 | 24 V DC (UA) |