

IMPACT67 COMPACT MODULE, PLASTIC

CANopen, 16 dig In

Art.No.: 55075

Weight: 0.420 kg

Country of origin: DE

Model designation: IMPACT67 C DI16

Digital inputs

DI16

CAN 1 Mbit/s; M12, A-coded

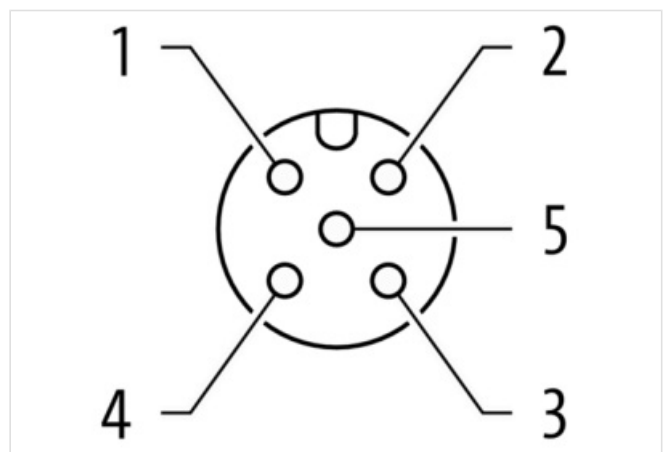
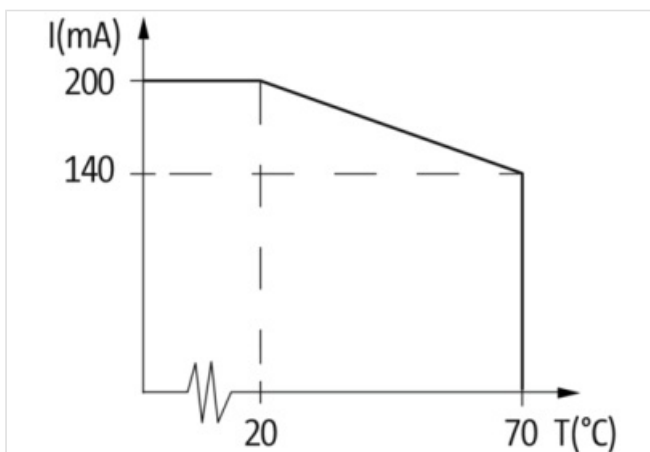
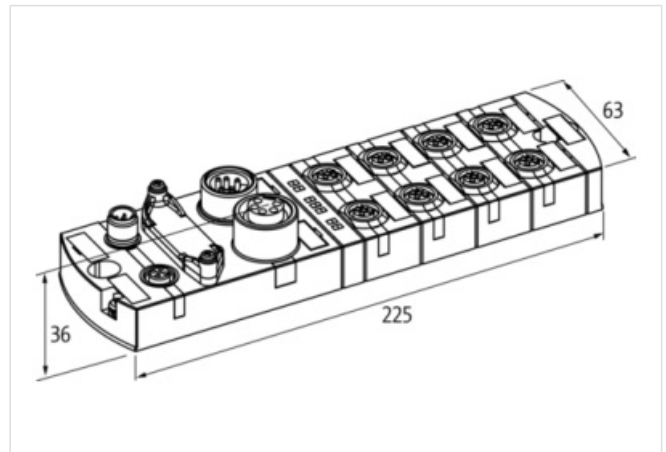
7/8", 5-pole, 2x max. 9 A

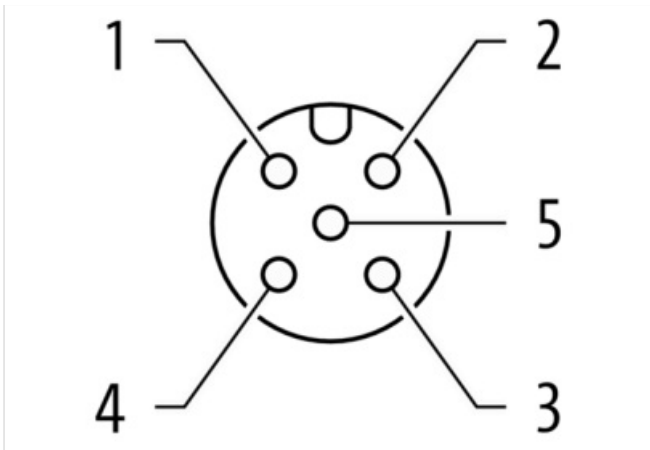
M12, 5-pole, A-coded

Connection cables are in the online shop under "Connection Technology".

Housing fully potted.

mounting compatible with I/O modules of the MVK series

[Link to Product](#)**Illustration**



Product may differ from Image



Commercial data

URL Webshop	https://shop.murrelektronik.com/55075
GTIN	4048879052030
Customs tariff number	85389099
ECLASS-6.0	27242604
ECLASS-6.1	27242604
ECLASS-7.0	27242604
ECLASS-7.1	27242604
ECLASS-8.0	27242604
ECLASS-8.1	27242604
ECLASS-9.0	27242604
ECLASS-9.1	27242604
ECLASS-10.0.1	27242604
ECLASS-10.1	27242604
ECLASS-11.0	27242604
ECLASS-11.1	27242604
ECLASS-12.0	27242604
ECLASS-13.0	27242604
ECLASS-14.0	27242604
ETIM-5.0	EC001599
ETIM-6.0	EC001599
ETIM-7.0	EC001599
ETIM-8.0	EC001599
customs tariff number	85389099
EAN	4048879052030
Packaging unit	1

Electrical data | Supply

Norm operating voltage	IEC/EN 61131-2
Operating voltage US DC	24 V
Total current US max.	9 A
Total current UA max.	9 A

Electrical data | Input

Sensor current US per input max.	0,2 A
----------------------------------	-------

Short-circuit protected	Yes
Overload resistant	Yes
Type input	for 3-wire sensors or mechanical switches, PNP
Industrial communication Bus data	
Address range min.	1
Address range max.	99
Industrial communication CANopen	
CANopen addressing	Rotary switch
Diagnostics	
Diagnostic	No voltage, Under voltage
Diagnostic via BUS	per module
Diagnostic via LED	per module and channel
LED display	Ethernet connection/data traffic
Device protection Electrical	
Degree of protection (EN IEC 60529)	IP67
Mechanical data Mounting data	
Height	39 mm
Width	63 mm
Depth	225 mm
Suitable for mounting type	2-hole screw mounting
Environmental characteristics Climatic	
Operating temperature min.	-25 °C
Operating temperature max.	70 °C
Ambient temperature (storage, transport)	-25 °C ... 70 °C
Connection types	
Connection type 1	0-7
Connection type 2	Bus In
Connection type 3	Bus Out
Connection type 4	Power In
Connection type 5	Power Out