

**IMPACT67 Pro EC DIO8 IOL8 M12L 5P**

EtherCAT, compact module, plastic

Art.No.: 54632

Weight: 0.470 kg

Country of origin: DE

Model designation: IMPACT67 Pro EC DIO8 IOL8 M12L 5P

Digital inputs/outputs

IO-Link Master V1.1

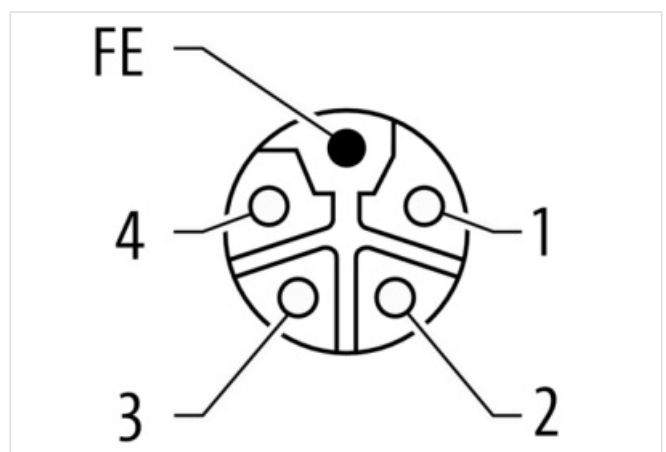
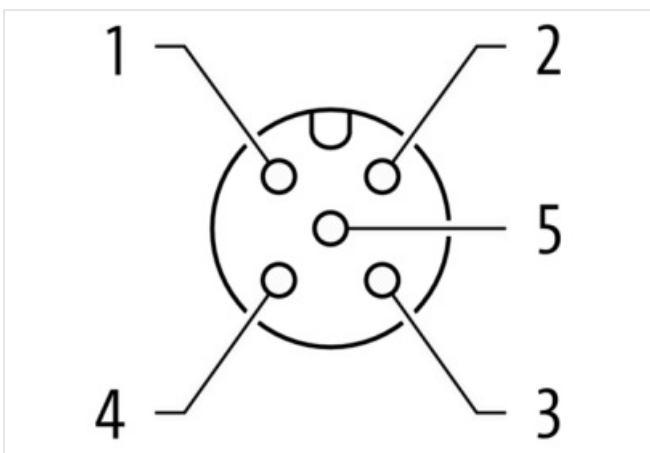
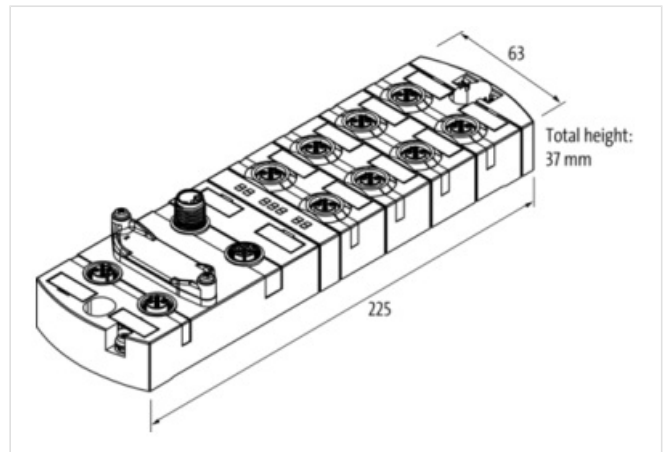
M12 Power, 5-pole, L-coded

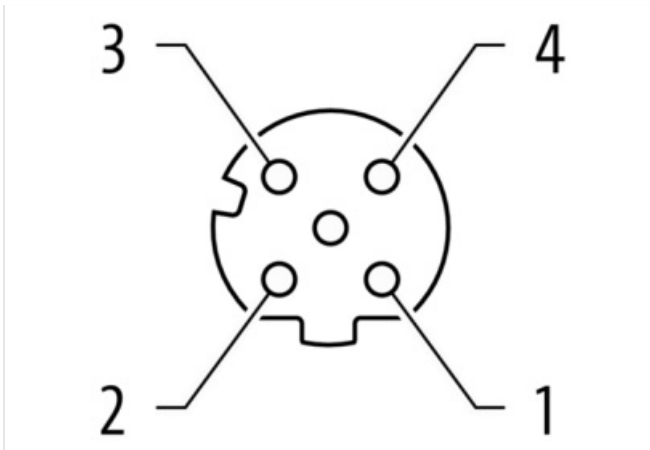
M12, 5-pole, A-coded

Housing fully potted.

Connection cables are in the online shop under "Connection Technology".

mounting compatible with I/O modules of the MVK series

[Link to Product](#)**Illustration**



Product may differ from Image

**Commercial data**

URL Webshop	<a href="https://shop.murrelektronik.com/54632">https://shop.murrelektronik.com/54632</a>
GTIN	4048879860017
Customs tariff number	85389099
ECLASS-6.0	27242604
ECLASS-6.1	27242604
ECLASS-7.0	27242604
ECLASS-7.1	27242604
ECLASS-8.0	27242604
ECLASS-8.1	27242604
ECLASS-9.0	27242604
ECLASS-9.1	27242604
ECLASS-10.0.1	27242604
ECLASS-10.1	27242604
ECLASS-11.0	27242604
ECLASS-11.1	27242604
ECLASS-12.0	27242604
ECLASS-13.0	27242604
ECLASS-14.0	27242604
ETIM-5.0	EC001599
ETIM-6.0	EC001599
ETIM-7.0	EC001599
ETIM-8.0	EC001599
customs tariff number	85389099
EAN	4048879860017
Packaging unit	1

**Electrical data | Supply**

Norm operating voltage	IEC/EN 61131-2
Operating voltage US DC	24 V
Total current US max.	16 A
Operating voltage UA DC	24 V
Total current UA max.	16 A

**Electrical data | Input**

The information in this Product-PDF has been compiled with the utmost care.

Liability for the correctness completeness and topicality of the information is restricted to gross negligence. Version: 2026-06-14

Murrelektronik Inc. | 1327 Northbrook Parkway, Suite 460 | Suwanee, GA 30024 | Fon +1 770 497-9292 | Fax +1 770 497-9391 | [shop@murrinc.com](mailto:shop@murrinc.com) | [shop.murrinc.com](http://shop.murrinc.com)

Sensor current US per input max.	2 A
Current carrying capacity max.	10 A
Short-circuit protected	Yes
Overload resistant	Yes
Type input	for 3-wire sensors or mechanical switches, IO-Link Devices, PNP

#### Electrical data | Output

Output current per pin max.	2 A
Max. current output per port	4 A
Actuator current UA per output max.	2 A
Total current outputs max.	10 A
Overload resistant	Yes
Short-circuit protected	Yes

#### Industrial Communication

Web interface	Yes
---------------	-----

#### Industrial communication | Bus data

Address setting type	automatic, Rotary switch
Sync-Manager (SM)	4

#### Industrial communication | Ethercat

Supported protocols	CANopen over EtherCAT (CoE), File Access over EtherCAT (FoE), Ethernet over EtherCAT (EoE), AoE
Function	ESM, EMCY
Sync-Manager (SM)	4
FMMU	8

#### Industrial communication | IO-Link

type	8x Master
Port Class	A, B
transmission rate	COM1, COM2, COM3
process data length input	32 bytes
process data length output	32 bytes
Automatic baudrate detection	automatic

#### Industrial communication | IIoT functions

JSON integration	REST-API, MQTT
OPC UA transport	UA TCP, UA Binary Encoding, UA Secure Conversation
Publishing interval OPC UA min.	100 ms
Number of sessions / clients OPC UA max.	5

#### Diagnostics

Actuator warning	per channel via LED and BUS
Temperature control	Yes
Cable break	per port
Diagnostic via BUS	per module and channel
Diagnostic via LED	per module and channel
LED display	Ethernet connection/data traffic
IO-Link events	Undervoltage supply, No voltage
Current Monitoring	Yes
Voltage monitoring	Yes

#### Device protection | Electrical

Degree of protection (EN IEC 60529)	IP67
-------------------------------------	------

#### Mechanical data | Mounting data

Height	37 mm
Width	63 mm
Depth	225 mm
Suitable for mounting type	2-hole screw mounting

**Environmental characteristics | Climatic**

Ambient temperature (operation)	-40 °C ... 70 °C
Ambient temperature (storage, transport)	-40 °C ... 85 °C

**Connection type 4**

Connection type 1	X0-X7
Connection type 2	XD1
Connection type 3	XD2
Connection type 4	XF1, XF2
Family construction form	M12
No. of poles	5
Coding	A
Gender	female
Color contact carrier	gray
PIN 1	24 V DC
PIN 2	DI / DO
PIN 3	0 V
PIN 4	DI / DO / IO-Link
PIN 5	0 V
Family construction form	M12
No. of poles	5
Coding	L
Gender	male
Color contact carrier	black
PIN 1	24 V DC (US)
PIN 2	0 V
PIN 3	0 V
PIN 4	24 V DC (UA)
PIN 5	PE
Family construction form	M12
No. of poles	5
Coding	L
Gender	female
Color contact carrier	black
PIN 1	24 V DC (US)
PIN 2	0 V
PIN 3	0 V
PIN 4	24 V DC (UA)
PIN 5	PE
Family construction form	M12
No. of poles	4
Coding	D
Gender	female
Color contact carrier	black
Mounting method	inserted, screwed
Tightening torque	0,6 Nm
PIN 1	TD +
PIN 2	RD +
PIN 3	TD -
PIN 4	RD -
PIN 5	n.c.