

IMPACT67 Pro E DIO8 IOL8 M12L 5P

Ethernet/IP, compact module, plastic

Art.No.: 54631

Weight: 0.470 kg

Country of origin: DE

Model designation: IMPACT67 Pro E DIO8 IOL8 M12L 5P

Digital inputs/outputs

Ethernet 10/100 Mbit/s; M12, D-coded

IO-Link Master V1.1

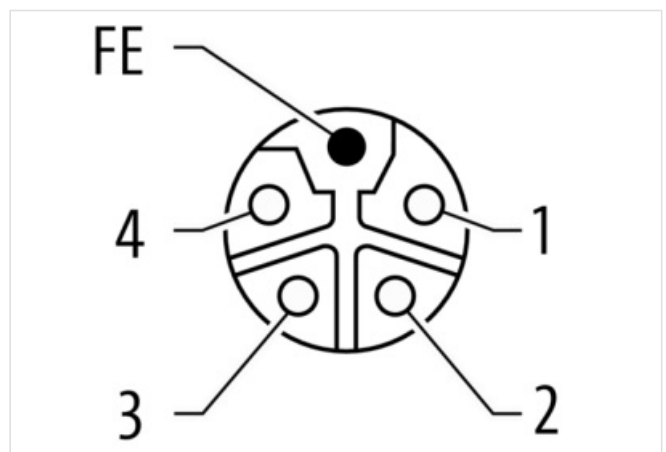
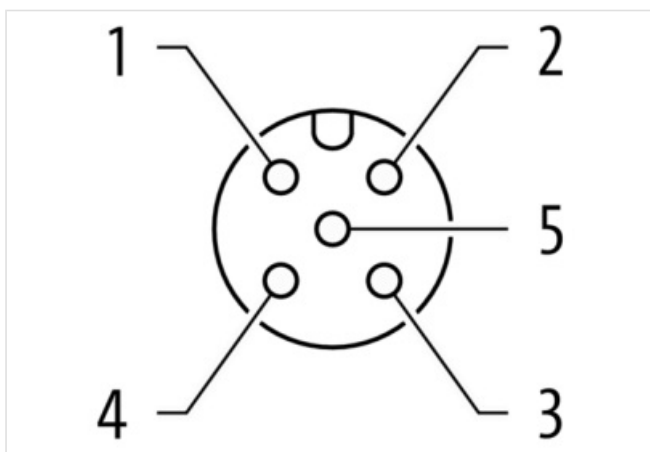
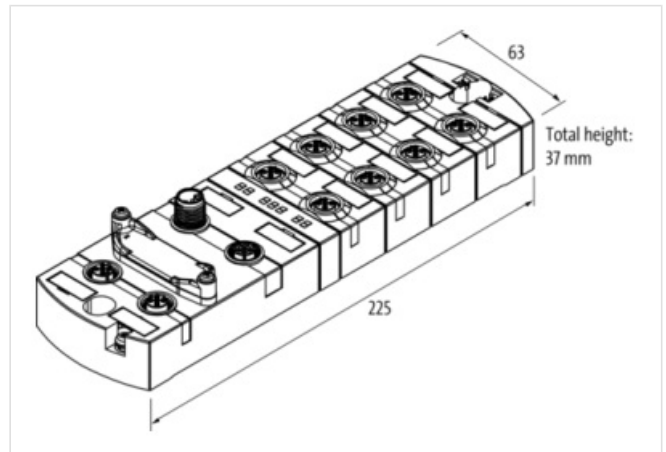
M12 Power, 5-pole, L-coded

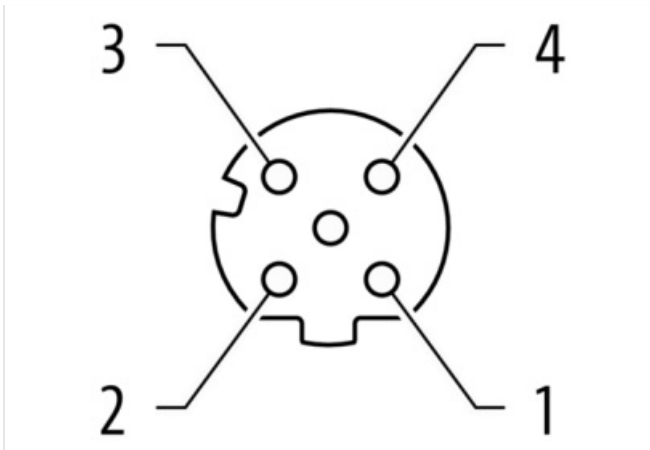
M12, 5-pole, A-coded

Housing fully potted.

Connection cables are in the online shop under "Connection Technology".

mounting compatible with I/O modules of the MVK series

[Link to Product](#)**Illustration**



Product may differ from Image



Commercial data

URL Webshop	https://shop.murrelektronik.com/54631
GTIN	4048879859974
Customs tariff number	85389099
ECLASS-6.0	27242604
ECLASS-6.1	27242604
ECLASS-7.0	27242604
ECLASS-7.1	27242604
ECLASS-8.0	27242604
ECLASS-8.1	27242604
ECLASS-9.0	27242604
ECLASS-9.1	27242604
ECLASS-10.0.1	27242604
ECLASS-10.1	27242604
ECLASS-11.0	27242604
ECLASS-11.1	27242604
ECLASS-12.0	27242604
ECLASS-13.0	27242604
ECLASS-14.0	27242604
ETIM-5.0	EC001599
ETIM-6.0	EC001599
ETIM-7.0	EC001599
ETIM-8.0	EC001599
customs tariff number	85389099
EAN	4048879859974
Packaging unit	1

Electrical data | Supply

Norm operating voltage	IEC/EN 61131-2
Operating voltage US DC	24 V
Total current US max.	16 A
Operating voltage UA DC	24 V
Total current UA max.	16 A

Electrical data | Input

The information in this Product-PDF has been compiled with the utmost care.

Liability for the correctness completeness and topicality of the information is restricted to gross negligence. Version: 2026-06-16

Murrelektronik Inc. | 1327 Northbrook Parkway, Suite 460 | Suwanee, GA 30024 | Fon +1 770 497-9292 | Fax +1 770 497-9391 | shop@murrinc.com | shop.murrinc.com

Sensor current US per input max.	2 A
Current carrying capacity max.	10 A
Short-circuit protected	Yes
Overload resistant	Yes
Type input	for 3-wire sensors or mechanical switches, IO-Link Devices, PNP

Electrical data | Output

Output current per pin max.	2 A
Max. current output per port	4 A
Actuator current UA per output max.	2 A
Total current outputs max.	10 A
Overload resistant	Yes
Short-circuit protected	Yes

Industrial Communication

Web interface	Yes
---------------	-----

Industrial communication | Ethernet/IP

Addressing	BOOTP, DIP switch, DHCP
CIP Sync	Yes
Device Level Ring (DLR)	Yes
Multiple connections	Yes
Composite Test Revision	CT16

Industrial communication | IO-Link

type	8x Master
Port Class	A, B
transmission rate	COM1, COM2, COM3
process data length input	32 bytes
process data length output	32 bytes
Automatic baudrate detection	automatic

Industrial communication | IIoT functions

JSON integration	REST-API, MQTT
OPC UA transport	UA TCP, UA Binary Encoding, UA Secure Conversation
Publishing interval OPC UA min.	100 ms
Number of sessions / clients OPC UA max.	5

Diagnostics

Actuator warning	per channel via LED and BUS
Temperature control	Yes
Cable break	per port
Diagnostic via BUS	per module and channel
Diagnostic via LED	per module and channel
LED display	Ethernet connection/data traffic
IO-Link events	Undervoltage supply, No voltage
Current Monitoring	Yes
Voltage monitoring	Yes

Device protection | Electrical

Degree of protection (EN IEC 60529)	IP67
-------------------------------------	------

Mechanical data | Mounting data

Height	37 mm
Width	63 mm
Depth	225 mm
Suitable for mounting type	2-hole screw mounting

Environmental characteristics | Climatic

Ambient temperature (operation)	-40 °C ... 70 °C
---------------------------------	------------------

Ambient temperature (storage, transport) -40 °C ... 85 °C

Connection type 4	
Connection type 1	X0-X7
Connection type 2	XD1
Connection type 3	XD2
Connection type 4	XF1, XF2
Family construction form	M12
No. of poles	5
Coding	A
Gender	female
Color contact carrier	gray
PIN 1	24 V DC
PIN 2	DI / DO
PIN 3	0 V
PIN 4	DI / DO / IO-Link
PIN 5	0 V
Family construction form	M12
No. of poles	5
Coding	L
Gender	male
Color contact carrier	black
PIN 1	24 V DC (US)
PIN 2	0 V
PIN 3	0 V
PIN 4	24 V DC (UA)
PIN 5	PE
Family construction form	M12
No. of poles	5
Coding	L
Gender	female
Color contact carrier	black
PIN 1	24 V DC (US)
PIN 2	0 V
PIN 3	0 V
PIN 4	24 V DC (UA)
PIN 5	PE
Family construction form	M12
No. of poles	4
Coding	D
Gender	female
Color contact carrier	black
Mounting method	inserted, screwed
Tightening torque	0,6 Nm
PIN 1	TD +
PIN 2	RD +
PIN 3	TD -
PIN 4	RD -
PIN 5	n.c.