

### MVK MPNIO DO16 galvanic separation

MVK PROFINET compact module, metal

Art.No.: 54532

Weight: 0.951 kg

Country of origin: DE

Model designation: MVK MPNIO DO16

Digital outputs

DO16 (IRT)

Ethernet 10/100 Mbit/s; M12, D-coded

7/8", 5-pole, max. 9 A, protection against reverse polarization

M12, 5-pole, A-coded

Fast-Start-Up (FSU)

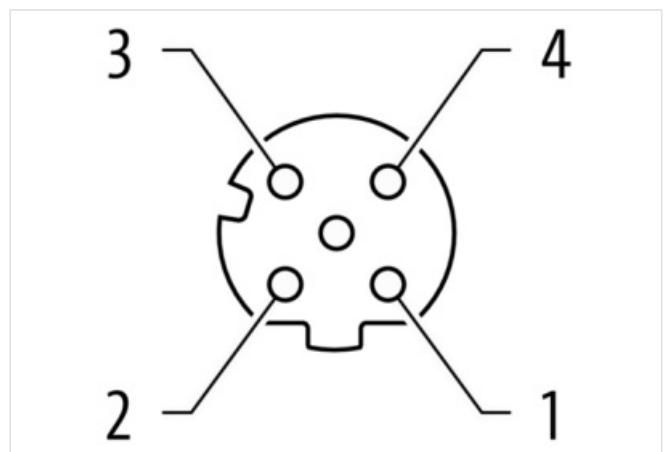
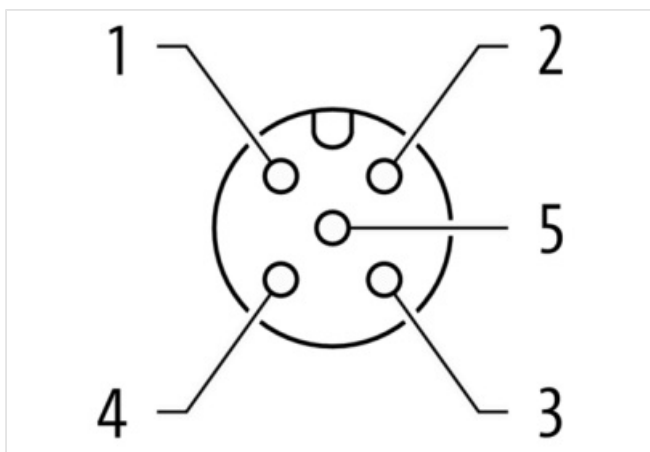
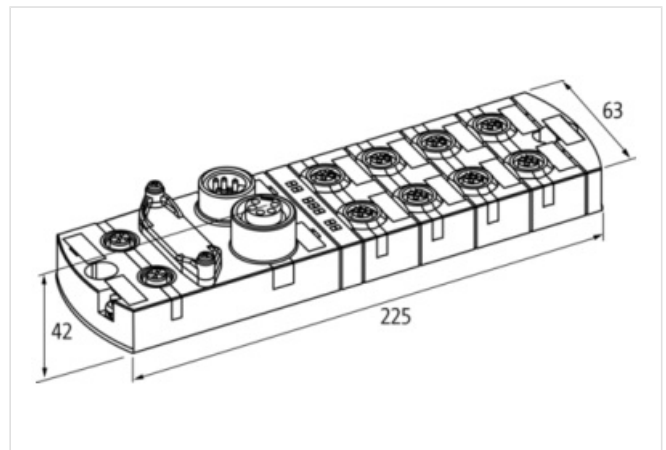
Galvanic isolation

Connection cables are in the online shop under "Connection Technology".

Housing fully potted.

### [Link to Product](#)

#### Illustration



Product may differ from Image



**Commercial data**

URL Webshop	<a href="https://shop.murrelektronik.com/54532">https://shop.murrelektronik.com/54532</a>
GTIN	4048879829373
Customs tariff number	85389099
ECLASS-6.1	27242604
ECLASS-7.0	27242604
ECLASS-7.1	27242604
ECLASS-8.0	27242604
ECLASS-8.1	27242604
ECLASS-9.0	27242604
ECLASS-9.1	27242604
ECLASS-10.0.1	27242604
ECLASS-10.1	27242604
ECLASS-11.0	27242604
ECLASS-11.1	27242604
ECLASS-12.0	27242604
ECLASS-13.0	27242604
ECLASS-14.0	27242604
customs tariff number	85389099
EAN	4048879829373
Packaging unit	1

**Electrical data | Supply**

Norm operating voltage	IEC/EN 61131-2
Total current US max.	9 A
Operating voltage UA DC	24 V
Total current UA max.	9 A

**Electrical data | Output**

Output current per pin max.	2 A
Overload resistant	Yes
Short-circuit protected	Yes

**Industrial communication | Bus data**

Supported protocol	Profinet
--------------------	----------

**Industrial communication | Profinet**

Conformance Class	C
addressing	DCP
Netload Class	III
Specification	V2.3
IRT-network communication	Yes
MRP client	Yes
Fast-Start-Up (FSU)	Yes
Fast start up time max.	0,5 s
Shared device/input	Yes
Number of active connections (IO controller) max.	2

**Diagnostics**

Actuator warning	per channel via LED and BUS
Short circuit diagnosis	Yes
Overload diagnosis	Yes
Cable break	per port
Diagnostic	No voltage, Under voltage
Diagnostic via BUS	per module and channel
Diagnostic via LED	per module and channel

LED display Ethernet connection/data traffic

**Device protection | Electrical**

Degree of protection (EN IEC 60529) IP67

**Mechanical data | Mounting data**

Height 39 mm

Width 63 mm

Depth 225 mm

Suitable for mounting type 2-hole screw mounting

**Environmental characteristics | Climatic**

Operating temperature min. -25 °C

Operating temperature max. 55 °C

Ambient temperature (storage, transport) -25 °C ... 70 °C

**Connection types**

Connection type 1 X0-X7

Connection type 2 XD1

Connection type 3 XD2

Connection type 4 XF1, XF2