

MVK MPNIO DI8 DO8 galvanic separation

MVK PROFINET compact module, metal

Art.No.: 54531

Weight: 0.951 kg

Country of origin: DE

Model designation: MVK MPNIO DI8 DO8

Digital inputs/outputs

DI8 DO8 (IRT)

Ethernet 10/100 Mbit/s; M12, D-coded

7/8", 5-pole, max. 9 A, protection against reverse polarization

M12, 5-pole, A-coded

Fast-Start-Up (FSU)

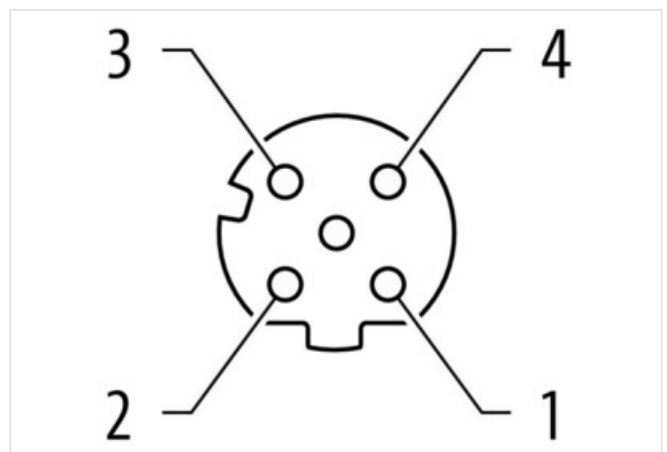
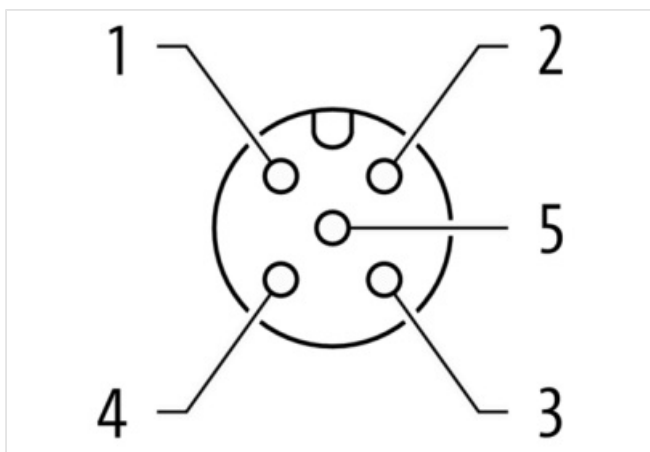
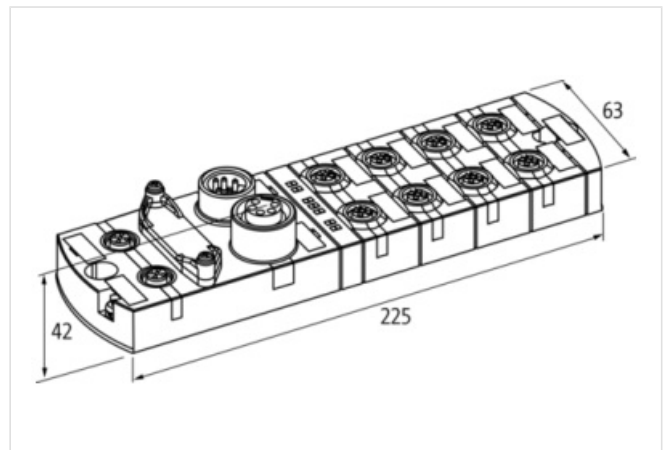
Galvanic isolation

Connection cables are in the online shop under "Connection Technology".

Housing fully potted.

[Link to Product](#)

Illustration



Product may differ from Image



Commercial data

URL Webshop	https://shop.murrelektronik.com/54531
GTIN	4048879798983
Customs tariff number	85389099
ECLASS-6.1	27242604
ECLASS-7.0	27242604
ECLASS-7.1	27242604
ECLASS-8.0	27242604
ECLASS-8.1	27242604
ECLASS-9.0	27242604
ECLASS-9.1	27242604
ECLASS-10.0.1	27242604
ECLASS-10.1	27242604
ECLASS-11.0	27242604
ECLASS-11.1	27242604
ECLASS-12.0	27242604
ECLASS-13.0	27242604
ECLASS-14.0	27242604
customs tariff number	85389099
EAN	4048879798983
Packaging unit	1

Electrical data | Supply

Norm operating voltage	IEC/EN 61131-2
Operating voltage US DC	24 V
Total current US max.	9 A
Operating voltage UA DC	24 V
Total current UA max.	9 A

Electrical data | Input

Sensor current US per input max.	0,2 A
Short-circuit protected	Yes
Overload resistant	Yes
Type input	for 3-wire sensors or mechanical switches, PNP

Electrical data | Output

Output current per pin max.	2 A
Overload resistant	Yes
Short-circuit protected	Yes

Industrial communication | Bus data

Supported protocol	Profinet
--------------------	----------

Industrial communication | Profinet

Conformance Class	C
addressing	DCP
Netload Class	III
Specification	V2.3
IRT-network communication	Yes
MRP client	Yes
Fast-Start-Up (FSU)	Yes
Fast start up time max.	0,5 s
Shared device/input	Yes
Number of active connections (IO controller) max.	2

Diagnostics

Actuator warning	per channel via LED and BUS
Short circuit diagnosis	Yes
Overload diagnosis	Yes
Cable break	per port
Diagnostic	No voltage, Under voltage
Diagnostic via BUS	per module and channel
Diagnostic via LED	per module and channel
LED display	Ethernet connection/data traffic

Device protection | Electrical

Degree of protection (EN IEC 60529)	IP67
-------------------------------------	------

Mechanical data | Mounting data

Height	39 mm
Width	63 mm
Depth	225 mm
Suitable for mounting type	2-hole screw mounting

Environmental characteristics | Climatic

Operating temperature min.	-25 °C
Operating temperature max.	55 °C
Ambient temperature (storage, transport)	-25 °C ... 70 °C

Connection types

Connection type 1	X0-X3
Connection type 2	X4-X7
Connection type 3	XD1
Connection type 4	XD2
Connection type 5	XF1, XF2