

## MIRO 6.2 OPTO-COUPLER MODULE

IN: 30 VDC - OUT: 48 VDC / 0,1 A / 500kHz

Art.No.: 526100

Weight: 0.020 kg

Country of origin: CZ

Model designation: MIRO OPTOKOPPLER 500KHZ 0,1A

Transistor 0.1 A

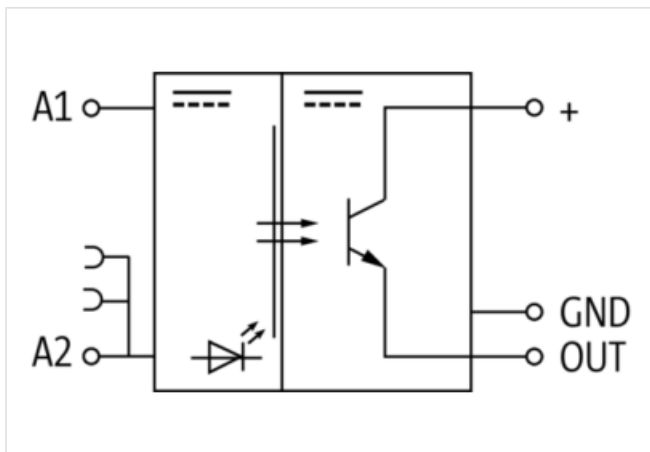
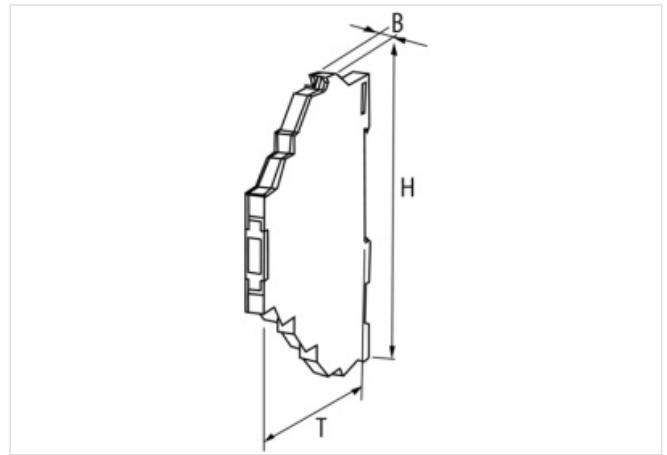
24 V DC

Switching frequency: max. 500 kHz

Spring clamp terminals

### [Link to Product](#)

#### Illustration



Product may differ from Image



#### Commercial data

URL Webshop	<a href="https://shop.murrelektronik.com/526100">https://shop.murrelektronik.com/526100</a>
GTIN	4048879024372
Customs tariff number	85414900

ECLASS-6.0	27371604
ECLASS-6.1	27371604
ECLASS-7.0	27371604
ECLASS-7.1	27371604
ECLASS-8.0	27371604
ECLASS-8.1	27371604
ECLASS-9.0	27371604
ECLASS-9.1	27371604
ECLASS-10.0.1	27371604
ECLASS-10.1	27371604
ECLASS-11.0	27371604
ECLASS-11.1	27371604
ECLASS-12.0	27371604
ECLASS-13.0	27371604
ECLASS-14.0	27371604
ETIM-5.0	EC001504
ETIM-6.0	EC001504
ETIM-7.0	EC001504
ETIM-8.0	EC001504
customs tariff number	85414900
EAN	4048879024372
Packaging unit	1

**Electrical data | Input**

Input voltage DC min.	10 V
Input voltage DC max.	30 V
Input voltage OFF DC min.	0 V
Input voltage OFF DC max.	7 V
Current input DC	5,5 mA

**Electrical data | Output**

Voltage drop AC max.	1,2 V
Voltage drop DC max.	1,2 V
Quiescent current OFF max.	0,25 mA
Switch on delay max.	0,4 µs
Switch off delay max.	0,1 µs
Voltage switching DC min.	5 V
Switching voltage DC max.	48 V
Switching current min.	0 mA
Switching current max.	0,1 A
Switching frequency ohmic max.	12,12 Hz

**Diagnostics**

Status indication LED	yellow
-----------------------	--------

**Device protection | Electrical**

Rated insulation voltage	2.750 V
--------------------------	---------

**Device protection | Media**

Flame resistance	flame retardant
------------------	-----------------

**Mechanical data | Material data**

housing	Plastic
Color housing	black

**Mechanical data | Mounting data**

Height	91 mm
Width	6,2 mm

Depth	70 mm
Mounting method	geschnappt
Suitable for mounting type	(EN 60715), mounting rail

#### Environmental characteristics | Climatic

Operating temperature min.	-20 °C
Operating temperature max.	60 °C

#### Connection type 8

Family construction form	terminal
No. of poles	1
Gender	female
Color contact carrier	black
Connection	Spring clamp terminals FK
PIN 1	14
Family construction form	terminal
No. of poles	1
Gender	female
Color contact carrier	black
Connection	Spring clamp terminals FK
PIN 1	14
Family construction form	terminal
No. of poles	1
Gender	female
Color contact carrier	black
Connection	Spring clamp terminals FK
PIN 1	14
Family construction form	terminal
No. of poles	1
Gender	female
Color contact carrier	black
Connection	Spring clamp terminals FK
PIN 1	14
Family construction form	terminal
No. of poles	1
Gender	female
Color contact carrier	black
Connection	Spring clamp terminals FK
PIN 1	14
Family construction form	terminal
No. of poles	1
Gender	female
Color contact carrier	black
Connection	Spring clamp terminals FK
PIN 1	14
Family construction form	terminal
No. of poles	1
Gender	female
Color contact carrier	black

---

Connection	Spring clamp terminals FK
PIN 1	14