

MIRO,TR,48VDC,SK OPTO-COUPLER MODULE

IN: 10...48 VDC - OUT: 5...48 VDC / 2 A

Art.No.: 52501

Weight: 0.028 kg

Country of origin: CZ

Model designation: MIRO,TR,48VDC,SK

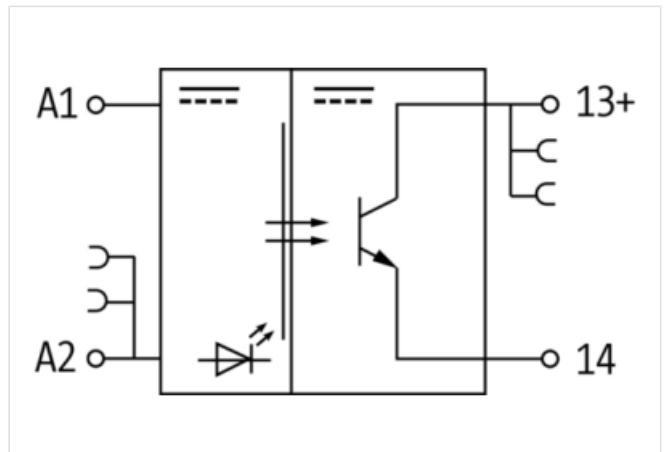
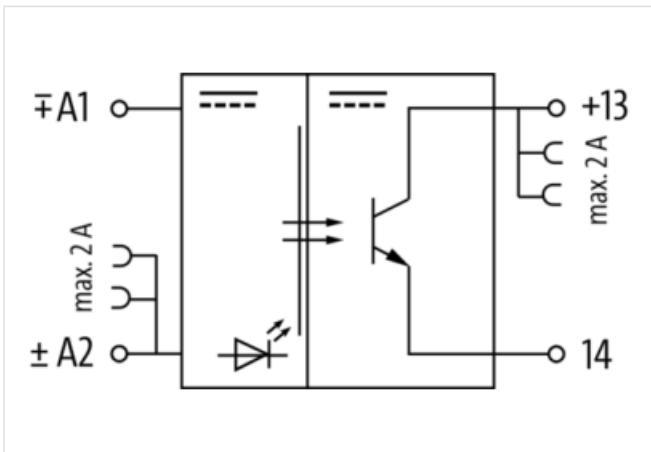
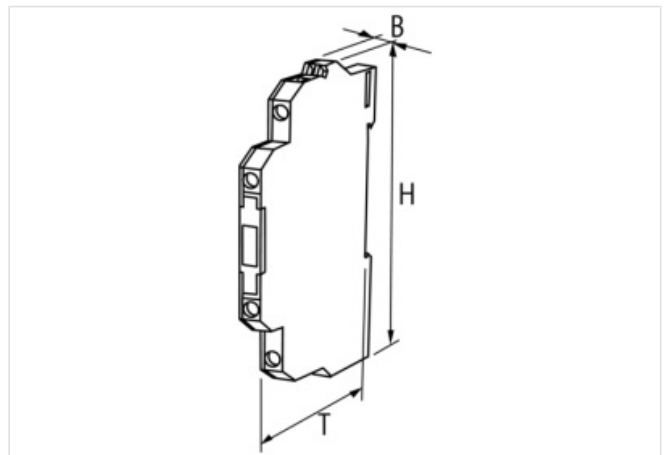
Transistor 2 A

24 V DC

Screw terminals

Link to Product

Illustration



Product may differ from Image



Commercial data

URL Webshop	https://shop.murrelektronik.com/52501
GTIN	4048879026932
Customs tariff number	85414900
ECLASS-6.0	27371604

ECLASS-6.1	27371604
ECLASS-7.0	27371604
ECLASS-7.1	27371604
ECLASS-8.0	27371604
ECLASS-8.1	27371604
ECLASS-9.0	27371604
ECLASS-9.1	27371604
ECLASS-10.0.1	27371604
ECLASS-10.1	27371604
ECLASS-11.0	27371604
ECLASS-11.1	27371604
ECLASS-12.0	27371604
ECLASS-13.0	27371604
ECLASS-14.0	27371604
ETIM-5.0	EC001504
ETIM-6.0	EC001504
ETIM-7.0	EC001504
ETIM-8.0	EC001504
customs tariff number	85414900
EAN	4048879026932
Packaging unit	1

Electrical data | Input

Input voltage DC min.	10 V
Input voltage DC max.	48 V
Input voltage OFF DC min.	0 V
Input voltage OFF DC max.	5 V
Current input DC	7 mA

Electrical data | Output

Voltage drop DC max.	0,3 V
Quiescent current OFF max.	0,01 mA
Switch on delay max.	1 ms
Switch off delay max.	5 ms
Voltage switching DC min.	5 V
Switching voltage DC max.	48 V
Switching current min.	1 mA
Switching current max.	2 A
Switching frequency ohmic max.	10 Hz
Switching frequency inductive max.	1 Hz

Diagnostics

Status indication LED	yellow
-----------------------	--------

Device protection | Electrical

Rated surge voltage	2,5 kV
---------------------	--------

Device protection | Media

Flame resistance	flame retardant
------------------	-----------------

Mechanical data | Material data

housing	Plastic
Color housing	black

Mechanical data | Mounting data

Height	78 mm
Width	6,2 mm
Depth	70 mm

Mounting method	geschnappt
Suitable for mounting type	(EN 60715), mounting rail

Environmental characteristics | Climatic

Operating temperature min.	-20 °C
Operating temperature max.	60 °C