

MIRO TR 24VDC SK OPTO-COUPLER MODULE

IN: 53 VDC - OUT: 48 VDC / 0,5 A

Art.No.: 52500

Weight: 0.028 kg

Country of origin: CZ

Model designation: MIRO,TR,24VDC,SK

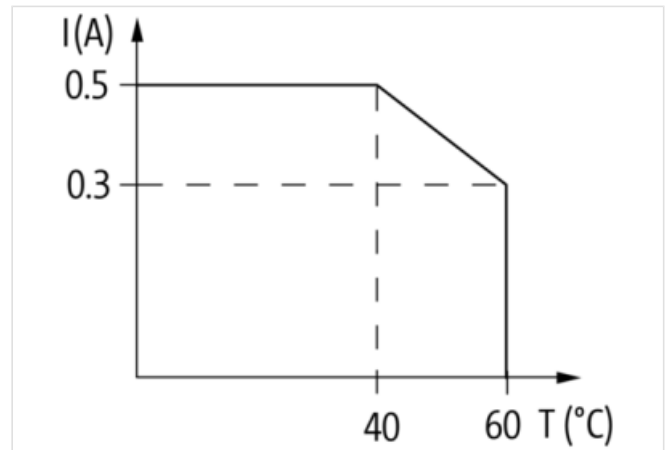
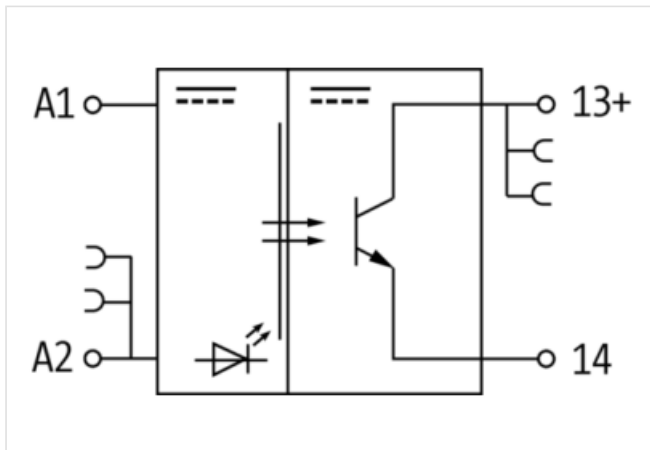
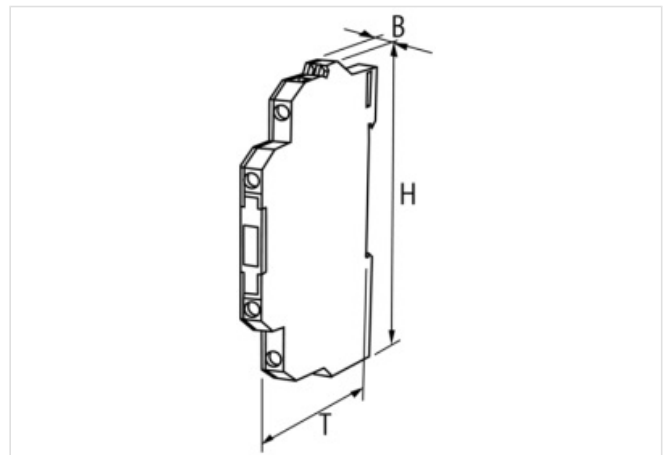
Transistor 0.5 A

24 V DC

Screw terminals

Link to Product

Illustration



Product may differ from Image



Commercial data

URL Webshop	https://shop.murrelektronik.com/52500
GTIN	4048879026949
Customs tariff number	85414900
ECLASS-6.0	27371604

The information in this Product-PDF has been compiled with the utmost care.

Liability for the correctness completeness and topicality of the information is restricted to gross negligence. Version: 2026-05-15

Murrelektronik Inc. | 1327 Northbrook Parkway, Suite 460 | Suwanee, GA 30024 | Fon +1 770 497-9292 | Fax +1 770 497-9391 | shop@murrinc.com | shop.murrinc.com

ECLASS-6.1	27371604
ECLASS-7.0	27371604
ECLASS-7.1	27371604
ECLASS-8.0	27371604
ECLASS-8.1	27371604
ECLASS-9.0	27371604
ECLASS-9.1	27371604
ECLASS-10.0.1	27371604
ECLASS-10.1	27371604
ECLASS-11.0	27371604
ECLASS-11.1	27371604
ECLASS-12.0	27371604
ECLASS-13.0	27371604
ECLASS-14.0	27371604
ETIM-5.0	EC001504
ETIM-6.0	EC001504
ETIM-7.0	EC001504
ETIM-8.0	EC001504
customs tariff number	85414900
EAN	4048879026949
Packaging unit	1

Electrical data | Input

Input voltage DC min.	10 V
Input voltage DC max.	53 V
Input voltage OFF DC min.	0 V
Input voltage OFF DC max.	5 V
Current input DC	6 mA

Electrical data | Output

Voltage drop DC max.	1,2 V
Quiescent current OFF max.	0,01 mA
Switch on delay max.	35 µs
Switch off delay max.	400 µs
Voltage switching DC min.	5 V
Switching voltage DC max.	48 V
Switching current min.	0,1 mA
Switching current max.	0,5 A
Switching frequency ohmic max.	1.000 Hz
Switching frequency inductive max.	100 Hz

Diagnostics

Status indication LED	yellow
-----------------------	--------

Device protection | Electrical

Rated insulation voltage	3.750 V
--------------------------	---------

Device protection | Media

Flame resistance	flame retardant
------------------	-----------------

Mechanical data | Material data

housing	Plastic
Color housing	black

Mechanical data | Mounting data

Height	78 mm
Width	6,2 mm
Depth	70 mm

Mounting method	geschnappt
Suitable for mounting type	(EN 60715), mounting rail

Environmental characteristics | Climatic

Operating temperature min.	-20 °C
Operating temperature max.	60 °C