

M12 male 90° / M12 female 0° A-cod. V2A

FEP 5xAWG22 bk 2m

Art.No.: 7003-40208-8280200

Weight: 0.098 kg

Country of origin: DE

Model designation: MSBL0-C-T828_2.0-S03

Advantages of our connectors:

Our connectors are versatile and specially optimised for industrial environments. All connectors are 100% tested during the manufacturing process to ensure the highest quality and reliability.

The contacts are gold-plated, which ensures optimum conductivity. Thanks to the high degree of protection, the connectors are ideal for demanding industrial environments. They are also vibration-resistant - this is ensured by the union nut with vibration protection.

Our connectors are resistant to oils and cooling lubricants, but resistance to aggressive media should be tested for each specific application. Different cable lengths available [on request](#)

If you are missing technical information? Please feel free to use our [dictionary](#) to find more technical details.

Product details:

Male 90° – female straight

M12 – M12, 4-pole

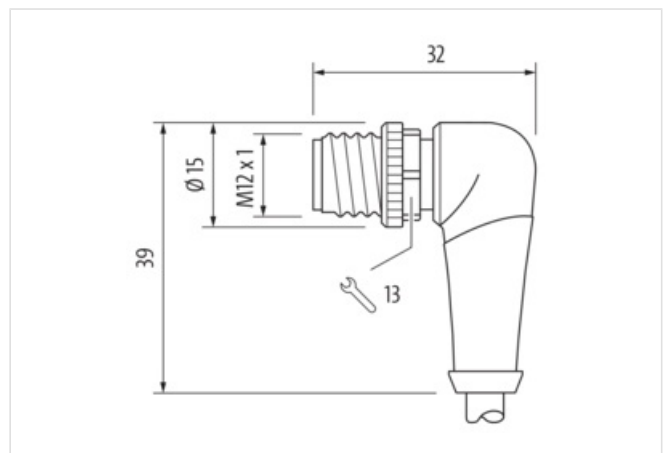
Stainless steel 1.4305 (V2A) PTFE coated

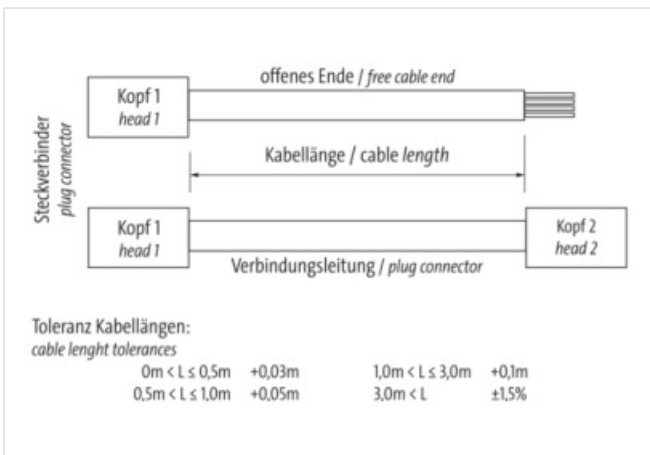
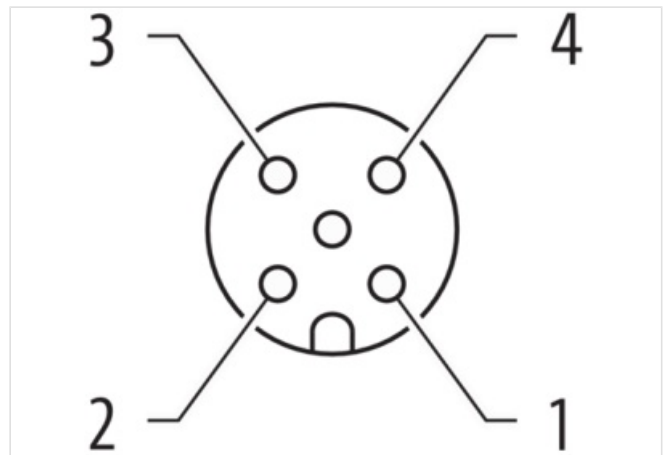
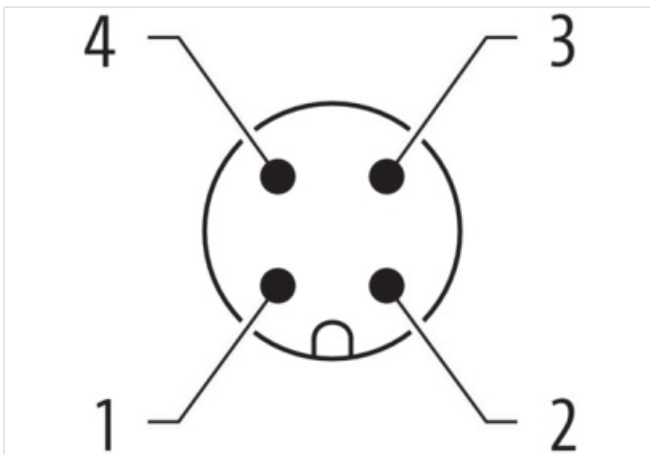
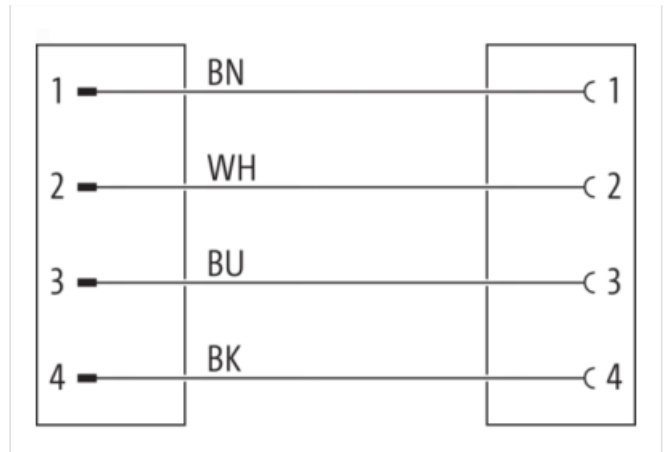
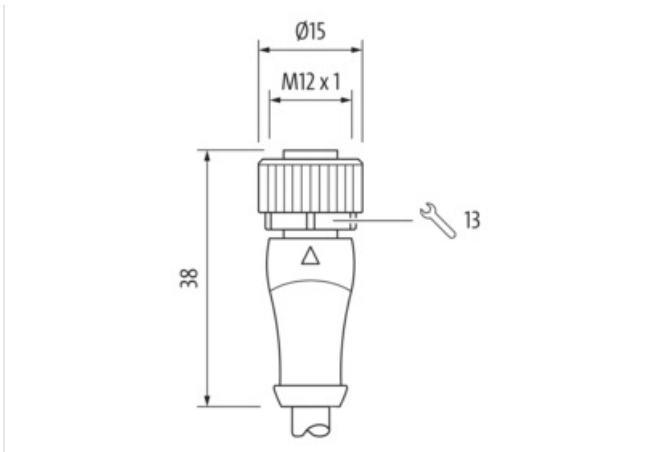
Art-No. 7005 - M12 Lite - (plastic hexagonal screw) on request

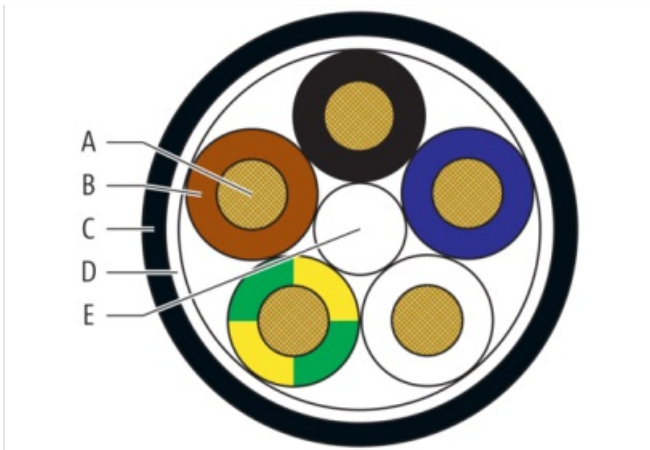
Plastic housings with good resistance against chemicals and oils.

The resistance to aggressive media should be individually tested for your application. Further details on request.

Further cable lengths on request.

[Link to Product](#)**Illustration**





Product may differ from Image

**Header**

| | |
|---------------------|----------------------|
| Material short text | MSBL0-C-T828_2.0-S03 |
| Cable length | 2,00 m |

Side 1

| | |
|---|---------|
| Family construction form | M12 |
| Coding | A |
| Threaded hole | M12 x 1 |
| Tightening torque | 0,6 Nm |
| Width across flats | SW13 |
| suitable for corrugated tube (internal Ø) | 10 mm |
| Degree of protection (EN IEC 60529) | IP67 |

Side 2

| | |
|--------------------------|---------|
| Family construction form | M12 |
| Coding | A |
| Threaded hole | M12 x 1 |
| Tightening torque | 0,6 Nm |

Commercial data

| | |
|---------------|---|
| URL Webshop | https://shop.murrelektronik.com/7003-40208-8280200 |
| GTIN | 4048879474702 |
| ECLASS-6.0 | 27279218 |
| ECLASS-6.1 | 27279218 |
| ECLASS-7.0 | 27279218 |
| ECLASS-7.1 | 27279218 |
| ECLASS-8.0 | 27279218 |
| ECLASS-8.1 | 27279218 |
| ECLASS-9.0 | 27060311 |
| ECLASS-9.1 | 27060311 |
| ECLASS-10.0.1 | 27060311 |
| ECLASS-10.1 | 27060311 |
| ECLASS-11.0 | 27060311 |
| ECLASS-11.1 | 27060311 |
| ECLASS-12.0 | 27060311 |

| | |
|-----------------------|---------------|
| ECLASS-13.0 | 27060311 |
| ECLASS-14.0 | 27060311 |
| ETIM-5.0 | EC001855 |
| ETIM-6.0 | EC001855 |
| ETIM-7.0 | EC001855 |
| ETIM-8.0 | EC001855 |
| customs tariff number | 85444290 |
| EAN | 4048879474702 |
| Packaging unit | 1 |

Electrical data | Supply

| | |
|------------------------------------|-------|
| Operating voltage AC max. | 250 V |
| Operating voltage DC max. | 250 V |
| Current operating per contact max. | 4 A |

Device protection | Electrical

| | |
|--|-------------------|
| Additional condition protection degree | inserted, screwed |
| Pollution Degree | 3 |
| Rated surge voltage | 2,5 kV |
| Material group (IEC 60664-1) | I |

Mechanical data | Material data

| | |
|---------------------|------------------------------|
| Material housing | PUR |
| Locking material | Stainless steel 1.4305 (V2A) |
| Coating locking nut | PTFE beschichtet |
| Material gasket | FKM |

Mechanical data | Mounting data

| | |
|-----------------|---------------------------------------|
| Mounting method | inserted, screwed, Shaking protection |
|-----------------|---------------------------------------|

Environmental characteristics | Climatic

| | |
|--|----------------------------|
| Operating temperature min. | -30 °C |
| Operating temperature max. | 85 °C |
| Additional condition temperature range | depending on cable quality |

Important installation notes

| | |
|------------------------|---|
| Note on bending radius | Attention: Observe the permissible bending radii when laying cables, as the IP protection class can be endangered by excessive bending forces. |
| Note on strain relief | Protect the connectors by suitable measures from mechanical loads, e.g. by the usage of cable ties. |

Installation | Cable

| | |
|--|---|
| Cable identification | 828 |
| Amount stranding | 1 |
| Stranding | 5 wires around core filler twisted |
| Banding | PTFE-foil |
| Filler | Yes |
| Wire arrangement | brown, black, blue, white, green-yellow |
| Cable weight | 40,8 g/m |
| Material wire insulation | FEP |
| Amount wires | 5 |
| Outer diameter insulation | 1,3 mm |
| Outer diameter tolerance core insulation | ± 0,1 mm |
| Shore hardness wire insulation | 55 ± 5 Shore D |
| Ingredient freeness wire insulation | CFC-free, halogen-free, lead-free |
| Amount strands (wire) | 19 |
| Diameter of single wires | 34 AWG |
| Conductor crosssection (wire) | 22 AWG |
| Material conductor wire | copper stranded wire, tinned |
| Outer-diameter (jacket) | 4,3 mm |

| | |
|--------------------------------------|-----------------------------------|
| Tolerance outer diameter (sheath) | ± 5 % |
| Material jacket | FEP |
| Shore hardness jacket | 57 ± 5 Shore A |
| Freedom from ingredients (jacket) | CFC-free, halogen-free, lead-free |
| Conductor resistance (wire) | 52.17 Ω/km @ 20 °C |
| Nominal voltage max. | 600 V |
| Withstand voltage (wire - wire) | 2 kV @ 60 s |
| Withstand voltage (wire - jacket) | 2 kV @ 60 s |
| Current load capacity (standard) | to DIN VDE 0298-4 |
| Current load capacity max. (wire) | 4,5 A |
| Operating temperature min. (static) | -100 °C |
| Operating temperature max. (static) | 180 °C |
| Operating temperature min. (dynamic) | -100 °C |
| Operating temperature max. (dynamic) | 180 °C |
| Bending radius (fixed) | 7.5 × Outer diameter |
| Bending radius (dynamic) | 15 × Outer diameter |