

**7/8" male 0° screw terminal**5-pol., max. 1,5mm<sup>2</sup>, 10 - 12mm

Art.No.: 7000-78101-0000000

Weight: 0.043 kg

Country of origin: DE

Model designation: 7/8"Stecker 5pol ger 10-12mm

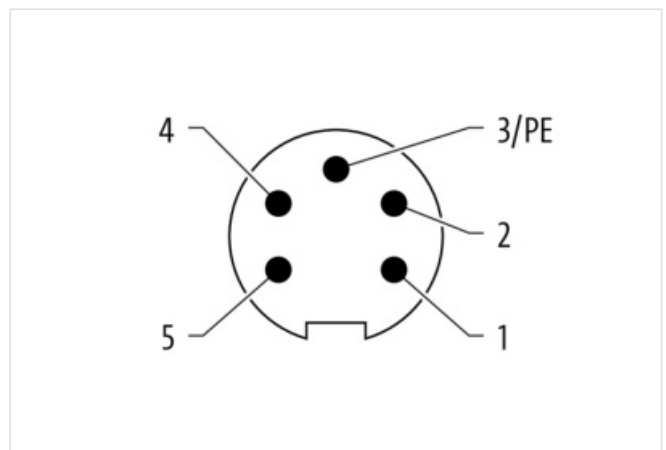
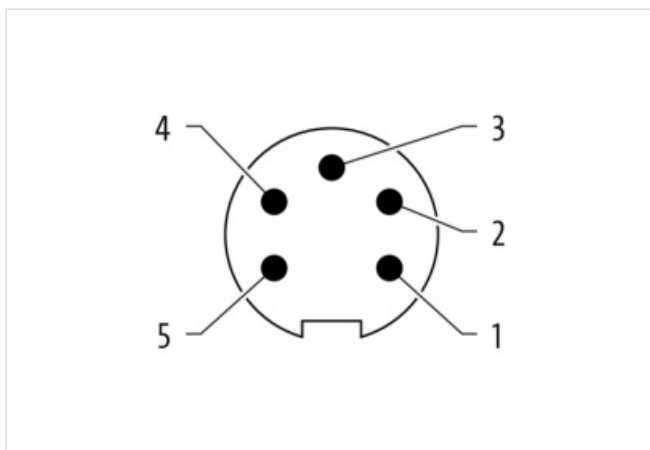
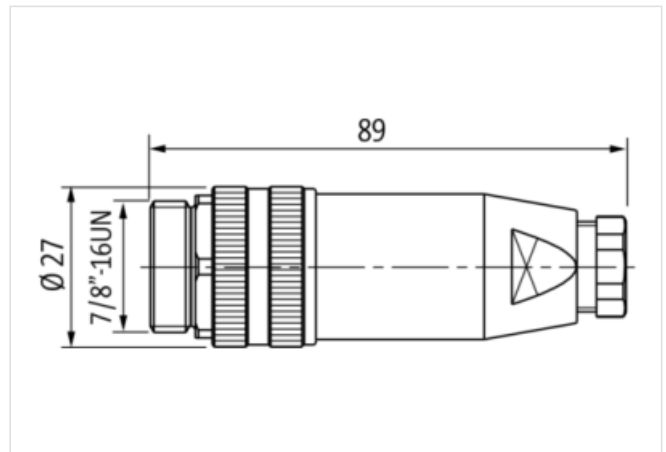
Male straight

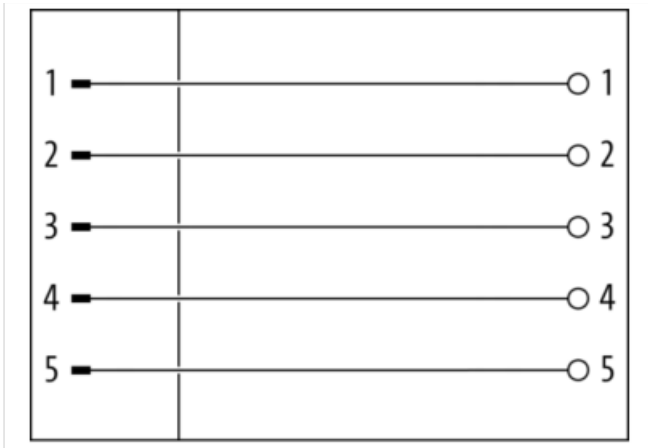
7/8" (5-pole)

Screw terminals

Plastic housings with good resistance against chemicals and oils.

The resistance to aggressive media should be individually tested for your application. Further details on request.

**[Link to Product](#)****Illustration**



Product may differ from Image

**Side 1**

|                          |                   |
|--------------------------|-------------------|
| Family construction form | 7/8"              |
| No. of poles             | 5                 |
| Gender                   | male              |
| Mounting method          | inserted, screwed |
| Threaded hole            | 7/8"              |
| Tightening torque        | 1,5 Nm            |
| Cable outlet             | straight          |

**Side 2**

|                 |                |
|-----------------|----------------|
| Mounting method | Field-wireable |
|-----------------|----------------|

**Commercial data**

|                       |   |
|-----------------------|---|
| URL Webshop           | <a href="https://shop.murrelektronik.com/7000-78101-0000000">https://shop.murrelektronik.com/7000-78101-0000000</a> |
| GTIN                  | 4048879134767   |
| ECLASS-6.0            | 27279218  |
| ECLASS-6.1            | 27260702  |
| ECLASS-7.0            | 27440102  |
| ECLASS-7.1            | 27440102  |
| ECLASS-8.0            | 27440102  |
| ECLASS-8.1            | 27440102  |
| ECLASS-9.0            | 27440116  |
| ECLASS-9.1            | 27440106  |
| ECLASS-10.0.1         | 27440106  |
| ECLASS-10.1           | 27440102  |
| ECLASS-11.0           | 27440106  |
| ECLASS-11.1           | 27440102  |
| ECLASS-12.0           | 27440116  |
| ECLASS-13.0           | 27440106  |
| ECLASS-14.0           | 27440106  |
| ETIM-5.0              | EC002635  |
| ETIM-6.0              | EC002635  |
| ETIM-7.0              | EC002635  |
| ETIM-8.0              | EC002635  |
| customs tariff number | 85366990  |

|  |   |
|--|---|
| EAN  | 4048879134767   |
| Packaging unit   | 1   |
| <b>Electrical data</b>                                     |   |
| Contact resistance max.                                    | 5 mΩ  |
| <b>Electrical data   Supply</b>                            |   |
| Operating voltage AC max.                                  | 250 V   |
| Operating voltage DC max.                                  | 250 V   |
| Current operating per contact max.                         | 9 A   |
| Operating voltage AC (UL-listed)                           | 600 V   |
| <b>Installation</b>  |   |
| Connection cross section max.                              | 1,5 mm <sup>2</sup>   |
| Cross section connection without wire end ferrule AWG max. | 16 AWG  |
| <b>Installation   Connection</b>                           |   |
| Connection   | Screw terminals SK  |
| Mating cycles min.   | 100   |
| <b>Device protection</b>                                   |   |
| Shielded   | No  |
| <b>Device protection   Electrical</b>                      |   |
| Degree of protection (EN IEC 60529)                        | IP67  |
| Additional condition protection degree                     | inserted, screwed   |
| Pollution Degree   | 3   |
| Overvoltage category (EN 60664-1)                          | III   |
| Overvoltage category (EN 60950-1)                          | III   |
| Rated surge voltage  | 4 kV  |
| Insulation resistance min.                                 | 10.000 MΩ   |
| Material group (IEC 60664-1)                               | III   |
| <b>Mechanical data   Mounting data</b>                     |   |
| Mounting method  | inserted, screwed, Shaking protection   |
| Clamping range min.  | 10 mm   |
| Clamping range max.  | 12 mm   |
| <b>Environmental characteristics   Climatic</b>            |   |
| Operating temperature min.                                 | -25 °C  |
| Operating temperature max.                                 | 85 °C   |
| <b>Important installation notes</b>                        |   |
| Note on bending radius                                     | <b>Attention:</b> Observe the permissible bending radii when laying cables, as the IP protection class can be endangered by excessive bending forces. |
| Note on strain relief                                      | Protect the connectors by suitable measures from mechanical loads, e.g. by the usage of cable ties.   |