

M12 female recept. A-cod. rear

PUR-wires 4x0.34 1m

Art.No.: 7000-13545-9710100

Weight: 0.029 kg

Country of origin: DE

Model designation: MSBFH-T971_1.0

Flange female

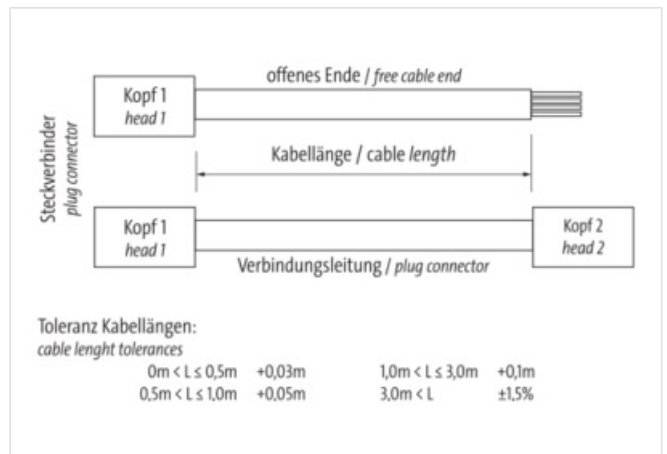
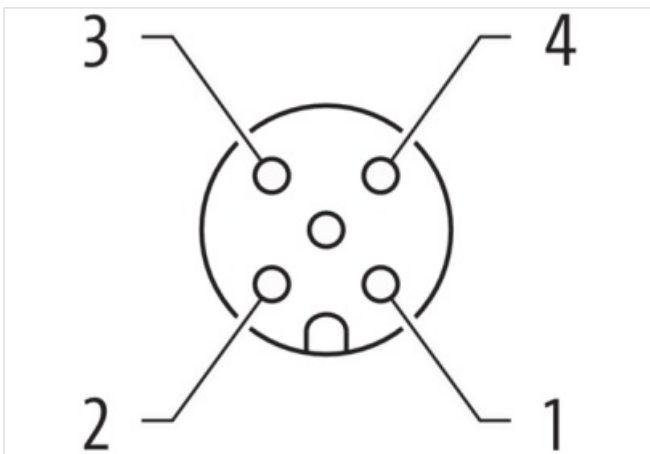
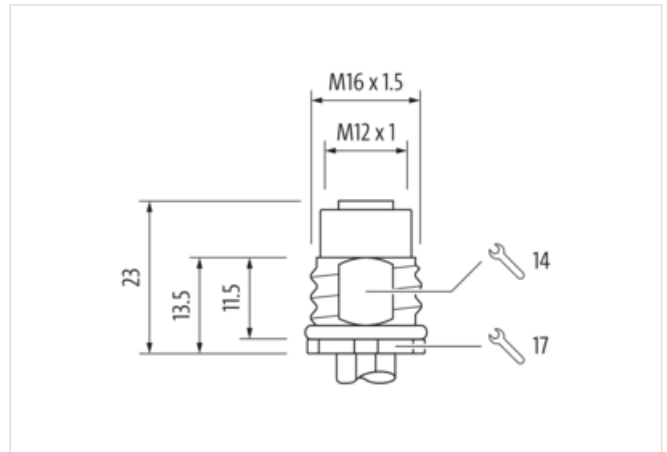
M12, 4-pole

Rear mounting

with multi-strand wire

[Link to Product](#)

Illustration



Product may differ from Image



Header

Cable length 1,00 m

Side 1

Family construction form	M12
No. of poles	4
Coding	A
Mounting method	inserted, screwed
Threaded hole	M12 x 1
Tightening torque	0,6 Nm
Material	Brass
Material contact	Copper alloy
Coating contact	gold plated
Degree of protection (EN IEC 60529)	IP67

Commercial data

URL Webshop	https://shop.murrelektronik.com/7000-13545-9710100
customs tariff number	85444290
EAN	4048879330008
Packaging unit	1

Electrical data | Supply

Operating voltage AC max.	250 V
Operating voltage DC max.	250 V
Current operating per contact max.	4 A

Diagnostics

Status indication LED	No
-----------------------	----

Installation | Connection

Mounting set	M16 x 1.5
Width across flats	SW19

Device protection | Electrical

Protection NEMA	6P, 4, 3
Additional condition protection degree	inserted, screwed
Pollution Degree	3
Rated surge voltage	2,5 kV
Material group (IEC 60664-1)	I

Mechanical data

Contour for corrugated hose	without
-----------------------------	---------

Mechanical data | Material data

Coating housing	nickel plated
Material screw connection	Brass
Coating of fitting	nickel plated
Locking material	Brass
Coating locking	nickel plated
Material gasket	FKM

Mechanical data | Mounting data

Mounting method	Schraubgewinde
Locking techniques	Schraubgewinde

Environmental characteristics | Climatic

Operating temperature min.	-30 °C
Operating temperature max.	85 °C
Additional condition temperature range	depending on cable quality

Important installation notes

Note on bending radius	Attention: Observe the permissible bending radii when laying cables, as the IP protection class can be endangered by excessive bending forces.
Note on strain relief	Protect the connectors by suitable measures from mechanical loads, e.g. by the usage of cable ties.

Conformity

Product standard	EN IEC 61076-2-101 (M12)
------------------	--------------------------

Approvals

UL 50E	Yes
--------	-----

Installation | Cable

Cable identification	971
----------------------	-----

Cable weight	33 g/m
--------------	--------

Material wire insulation	PUR
--------------------------	-----

Amount wires	4
--------------	---

Outer diameter insulation	1,3 mm
---------------------------	--------

Conductor crosssection (wire)	0,34 mm ²
-------------------------------	----------------------

Operating temperature min. (static)	-40 °C
-------------------------------------	--------

Operating temperature max. (static)	90 °C
-------------------------------------	-------

Operating temperature min. (dynamic)	-25 °C
--------------------------------------	--------

Operating temperature max. (dynamic)	90 °C
--------------------------------------	-------

Bending radius (fixed)	5 × Outer diameter
------------------------	--------------------