

**CUBE67 DIO16 DO16 E 16XM12 (1,6/2A)**

Art.No.: 56641

Weight: 0.600 kg

Country of origin: CZ

Model designation: Cube67 DIO16 DO16 E 16xM12 (1,6/2A)

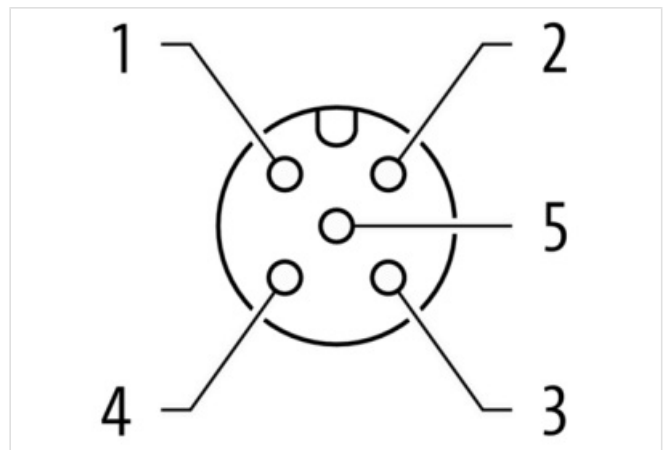
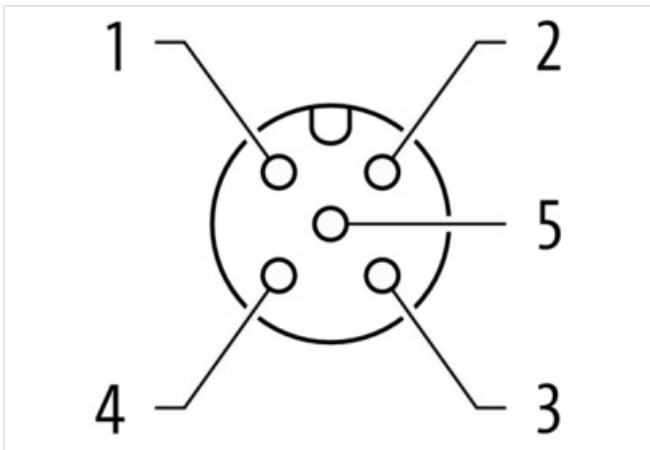
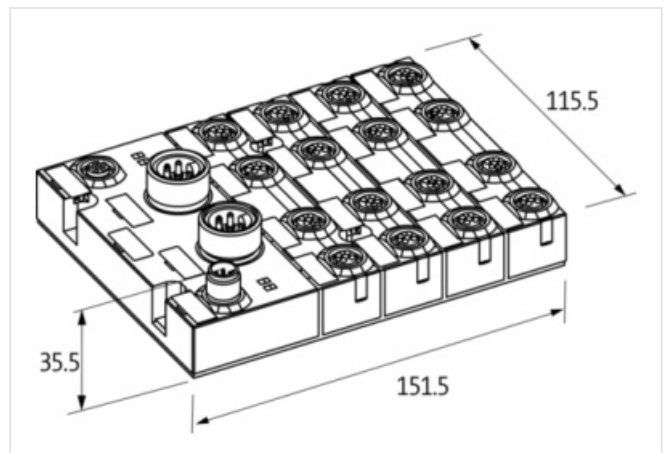
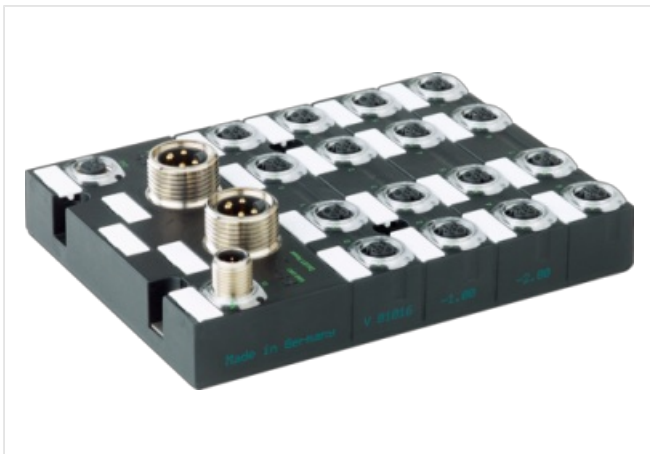
Expansion module

DIO16 - 1.6 A DO16 - 2 A (E) - 16x M12

Digital inputs/outputs (multifunctional)

Connection cables are in the online shop under "Connection Technology".

Housing fully potted.

**[Link to Product](#)****Illustration**

Product may differ from Image

**Commercial data**URL Webshop <https://shop.murrelektronik.com/56641>

GTIN 4048879048422

Customs tariff number 85389099

ECLASS-6.0	27242604
ECLASS-6.1	27242604
ECLASS-7.0	27242604
ECLASS-7.1	27242604
ECLASS-8.0	27242604
ECLASS-8.1	27242604
ECLASS-9.0	27242604
ECLASS-9.1	27242604
ECLASS-10.0.1	27242604
ECLASS-10.1	27242604
ECLASS-11.0	27242604
ECLASS-11.1	27242604
ECLASS-12.0	27242604
ECLASS-13.0	27242604
ECLASS-14.0	27242604
ETIM-5.0	EC001599
ETIM-6.0	EC001599
ETIM-7.0	EC001599
ETIM-8.0	EC001599
customs tariff number	85389099
EAN	4048879048422
Packaging unit	1

**Electrical data | Supply**

Operating voltage DC	24 V
Operating voltage US DC	24 V
Total current US max.	4 A
Total current UA max.	4 A
Current consumption max.	50 mA

**Electrical data | Input**

Sensor current US per input max.	0,2 A
Short-circuit protected	Yes
Overload resistant	Yes
filter time	1 ms
Type input	for 3-wire sensors or mechanical switches, PNP

**Electrical data | Output**

Current actuator side 1 max.	1,6 A
Current actuator side 2 max.	2 A
Factor coincidence per output	50 %
Load lamp side 1 max.	30 W
Load lamp side 2 max.	40 W

**Diagnostics**

Actuator warning	per channel via LED and BUS
Short circuit diagnosis	Yes
Overload diagnosis	Yes
Diagnostic	No voltage, Under voltage
Diagnostic via BUS	per module and channel
Diagnostic via LED	per module and channel
LED display	Ethernet connection/data traffic

**Device protection | Electrical**

Degree of protection (EN IEC 60529)	IP67
Overload resistant	Yes

**Mechanical data | Mounting data**

The information in this Product-PDF has been compiled with the utmost care.  
Liability for the correctness completeness and topicality of the information is restricted to gross negligence. Version: 2026-04-18

Height	151,5 mm
Width	115,5 mm
Depth	35,5 mm
Suitable for mounting type	4 hole screw mounting

#### Environmental characteristics | Climatic

Operating temperature min.	0 °C
Operating temperature max.	55 °C
Ambient temperature (storage, transport)	-20 °C ... 75 °C

#### Conformity

Product standard	IEC/EN 61131-2
------------------	----------------

#### Connection type 6

Connection type 1	0-7
Connection type 2	0-7
Connection type 3	Bus In
Connection type 4	Bus Out
Connection type 5	Power In (UA 0) (UA 1)
Connection type 6	Power In (UA 2) (UA 3)
Family construction form	M12
No. of poles	5
Coding	A
Gender	female
Color contact carrier	black
PIN 1	24 V DC (US)
PIN 2	DI / DO / Diag
PIN 3	0 V
PIN 4	DI / DO
PIN 5	PE
Family construction form	M12
No. of poles	5
Coding	A
Gender	female
Color contact carrier	black
PIN 1	n.c.
PIN 2	DO
PIN 3	0 V
PIN 4	DO
PIN 5	PE
Family construction form	M12
No. of poles	6
Coding	A
Gender	male
Color contact carrier	black
PIN 1	24 V DC (UA)
PIN 2	24 V DC (US)
PIN 3	0 V
PIN 4	Bus internal
PIN 5	Bus internal
PIN 6	0 V
Family construction form	M12
No. of poles	6
Coding	A
Gender	female
Color contact carrier	black

PIN 1	24 V DC (UA)
PIN 2	24 V DC (US)
PIN 3	0 V
PIN 4	Bus internal
PIN 5	Bus internal
PIN 6	0 V
Family construction form	7/8"
No. of poles	5
Gender	male
Color contact carrier	black
PIN 1	0 V
PIN 2	0 V
PIN 3	PE
PIN 4	24 V DC (UA 0)
PIN 5	24 V DC (UA 1)
Family construction form	7/8"
No. of poles	5
Gender	male
Color contact carrier	black
PIN 1	0 V
PIN 2	0 V
PIN 3	PE
PIN 4	24 V DC (UA 2)
PIN 5	24 V DC (UA 3)