

MASI67 I/O MODULE K3

8 digital inputs, 8 digital, passive safety outputs

Art.No.: 56415

Weight: 0.340 kg

Country of origin: CZ

Model designation: MASI67 DI8/0,34A DO8/1,6A AB K3 8xM12

Digital inputs/outputs

DI8 - 0.34 A DO8 - 1.6 A - 8x M12 (AB) (K3)

Output groups up to PLd (EN ISO 13849-1) can be switched off via safety relays

Double assignment of M12 females, PIN 2 + 4

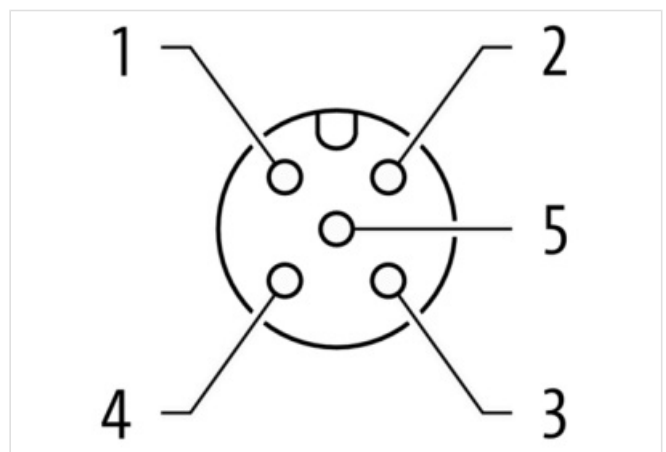
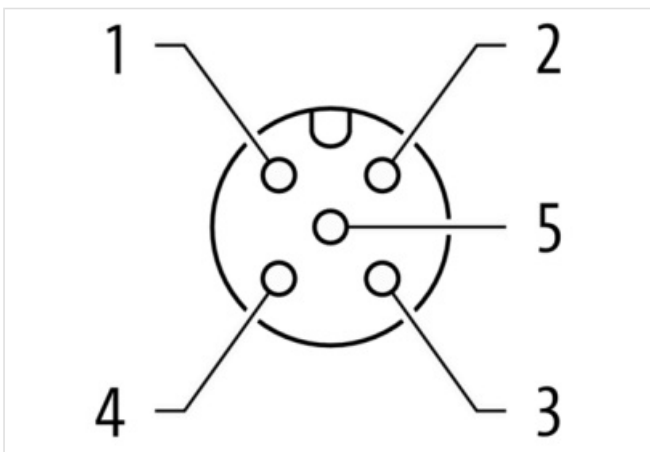
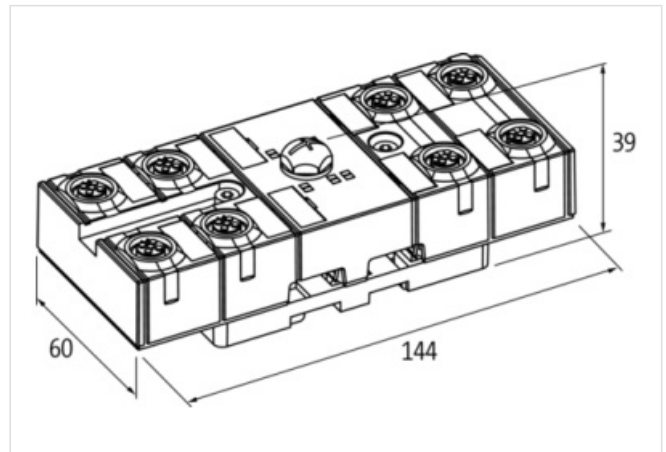
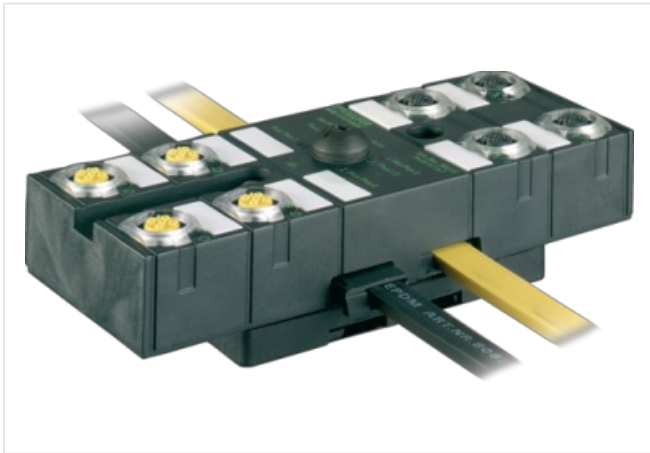
Connection cables are in the online shop under "Connection Technology".

Housing fully potted.

24 V DC external (18...30.2 V DC) EN 61131-2, connection via black AS-Interface profile cable, 2 safely separated supplies possible

[Link to Product](#)

Illustration



Product may differ from Image



Commercial data

The information in this Product-PDF has been compiled with the utmost care.

Liability for the correctness completeness and topicality of the information is restricted to gross negligence. Version: 2026-04-16

Murrelektronik Inc. | 1327 Northbrook Parkway, Suite 460 | Suwanee, GA 30024 | Fon +1 770 497-9292 | Fax +1 770 497-9391 | shop@murrinc.com | shop.murrinc.com

URL Webshop	https://shop.murrelektronik.com/56415
GTIN	4048879048989
Customs tariff number	85176200
ECLASS-6.0	27371604
ECLASS-6.1	27242604
ECLASS-7.0	27242604
ECLASS-7.1	27242604
ECLASS-8.0	27242604
ECLASS-8.1	27242604
ECLASS-9.0	27242604
ECLASS-9.1	27242604
ECLASS-10.0.1	27242604
ECLASS-10.1	27242604
ECLASS-11.0	27242604
ECLASS-11.1	27242604
ECLASS-12.0	27242604
ECLASS-13.0	27242604
ECLASS-14.0	27242604
ETIM-5.0	EC001599
ETIM-6.0	EC001599
ETIM-7.0	EC001599
ETIM-8.0	EC001599
customs tariff number	85176200
EAN	4048879048989
Packaging unit	1

Electrical data | Supply

Total current max.	8 A
Bus voltage AS-Interface DC min.	26,5 V
Bus voltage AS-Interface DC max.	31,6 V
Current consumption AS-i port max.	440 mA

Electrical data | Input

Current carrying capacity max.	0,34 A
Short-circuit protected	Yes
Overload resistant	Yes
Type input	for 3-wire sensors or mechanical switches, PNP

Electrical data | Output

Output current per pin max.	1,6 A
Overload resistant	Yes
Short-circuit protected	Yes

Industrial communication | Bus data

Address setting type	Addressing socket, Master
Slave address range	(0), 1 A...31 A, 1 B...31 B

Industrial communication | AS-Interface

Profile (IO.ID.ID2)	2x S-7.A.7
---------------------	------------

Diagnostics

Diagnostic	No voltage
Diagnostic via LED	per module
LED display	Ethernet connection/data traffic

Installation | Connection

Double assignment M12 female	Yes
------------------------------	-----

Device protection | Electrical

Degree of protection (EN IEC 60529) IP67

Mechanical data | Mounting data

Height	144 mm
Width	72 mm
Depth	39 mm
Mounting method	geschnappt, screwed
Suitable for mounting type	(EN 60715), mounting rail

Environmental characteristics | Climatic

Operating temperature min.	-20 °C
Operating temperature max.	60 °C
Ambient temperature (storage, transport)	-20 °C ... 70 °C

Connection type 2

Family construction form	M12
No. of poles	5
Coding	A
Gender	female
Color contact carrier	black
PIN 1	n.c.
PIN 2	DO
PIN 3	0 V
PIN 4	DO
PIN 5	PE
Family construction form	M12
No. of poles	5
Coding	A
Gender	female
Color contact carrier	black
PIN 1	Usens +
PIN 2	DI
PIN 3	Usens -
PIN 4	DI
PIN 5	n.c.