

### MASI67 I/O MODULE K3

4 digital inputs, 4 digital, passive safety outputs

Art.No.: 56414

Weight: 0.272 kg

Country of origin: CZ

Model designation: MASI67 DI4/0,2A DO4/1,6A AB K3 4xM12

Digital inputs/outputs

Output groups up to PLd (EN ISO 13849-1) can be switched off via safety relays

DI4 - 0.2 A DO4 - 1.6 A (C) - 4x M12 (AB) (K3)

Double assignment of M12 females, PIN 2 + 4

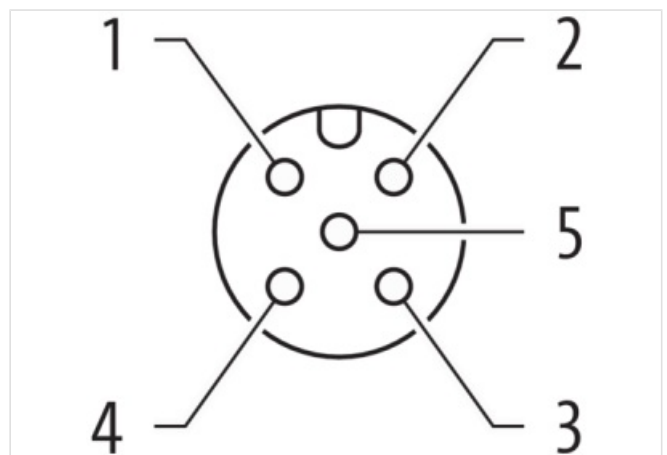
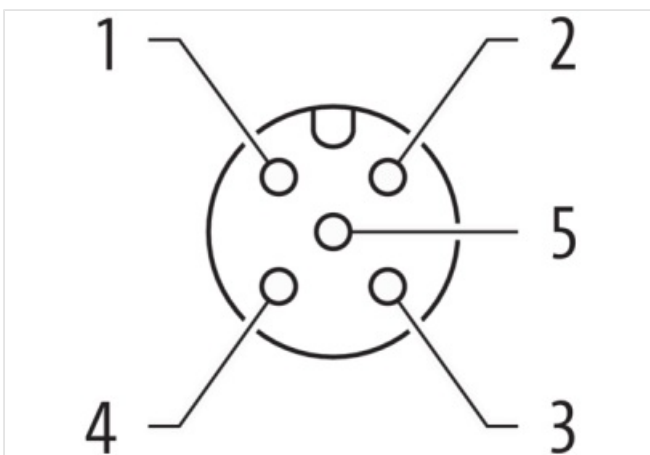
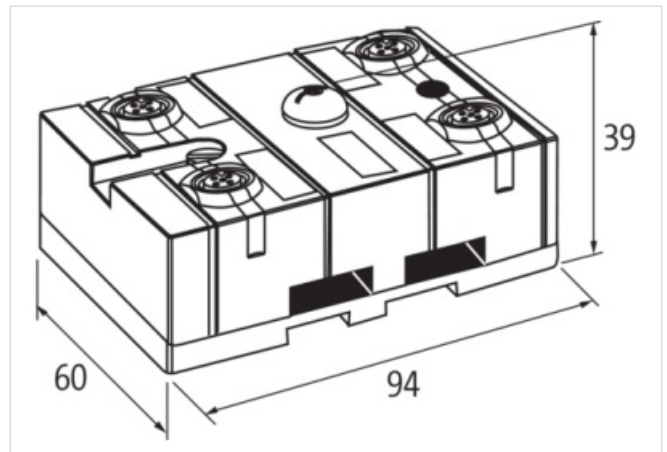
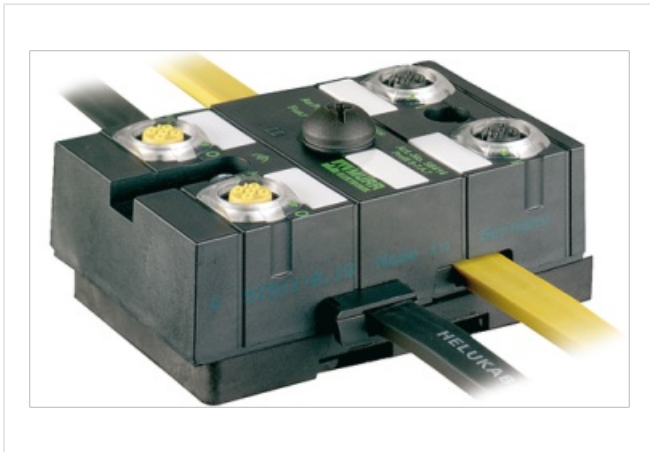
Connection cables are in the online shop under "Connection Technology".

Housing fully potted.

24 V DC external (18...30.2 V DC) EN 61131-2, connection via black AS-Interface profile cable

### [Link to Product](#)

#### Illustration



Product may differ from Image



#### Header

The information in this Product-PDF has been compiled with the utmost care.

Liability for the correctness completeness and topicality of the information is restricted to gross negligence. Version: 2026-02-19

Murrelektronik Inc. | 1327 Northbrook Parkway, Suite 460 | Suwanee, GA 30024 | Fon +1 770 497-9292 | Fax +1 770 497-9391 | shop@murrinc.com | shop.murrinc.com



**Device protection | Electrical**

Degree of protection (EN IEC 60529) IP67

**Mechanical data | Mounting data**

Height 94 mm

Width 60 mm

Depth 39 mm

Mounting method geschnappt, screwed

Suitable for mounting type (EN 60715), mounting rail

**Environmental characteristics | Climatic**

Operating temperature min. -20 °C

Operating temperature max. 60 °C

Ambient temperature (storage, transport) -20 °C ... 70 °C

**Connection type 2**

Family construction form M12

No. of poles 5

Coding A

Gender female

Color contact carrier black

PIN 1 n.c.

PIN 2 DO

PIN 3 0 V

PIN 4 DO

PIN 5 PE

Family construction form M12

No. of poles 5

Coding A

Gender female

Color contact carrier black

PIN 1 Usens +

PIN 2 DI

PIN 3 Usens -

PIN 4 DI

PIN 5 n.c.