

MASI67 I/O MODULE

8 digital inputs

Art.No.: 56401

Weight: 0.236 kg

Country of origin: CZ

Model designation: MASI67 DI8 AB 4xM12

Digital inputs

DI8 - 0.24 A - 4x M12 (AB)

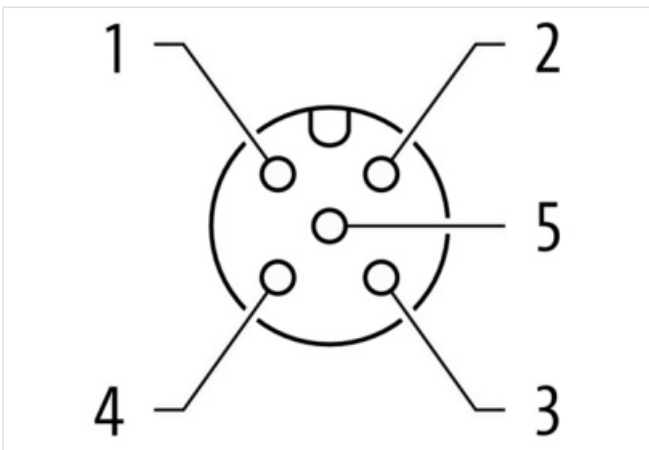
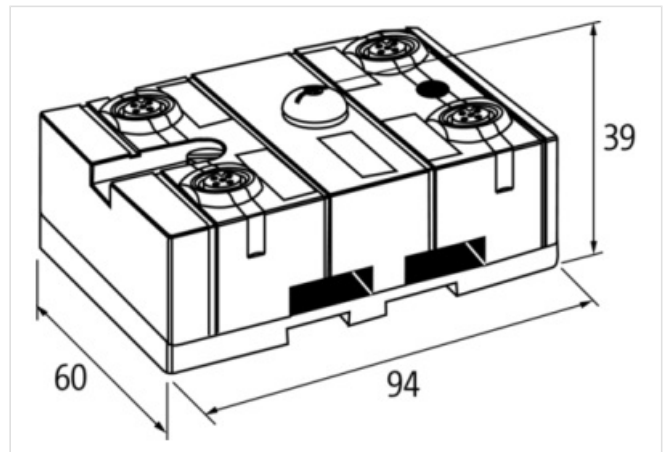
Double assignment of M12 females, PIN 2 + 4

Connection cables are in the online shop under "Connection Technology".

Housing fully potted.

Link to Product

Illustration



Product may differ from Image



Commercial data

URL Webshop

<https://shop.murrelektronik.com/56401>

GTIN

4048879049108

Customs tariff number	85176200
ECLASS-6.0	27242604
ECLASS-6.1	27242604
ECLASS-7.0	27242604
ECLASS-7.1	27242604
ECLASS-8.0	27242604
ECLASS-8.1	27242604
ECLASS-9.0	27242604
ECLASS-9.1	27242604
ECLASS-10.0.1	27242604
ECLASS-10.1	27242604
ECLASS-11.0	27242604
ECLASS-11.1	27242604
ECLASS-12.0	27242604
ECLASS-13.0	27242604
ECLASS-14.0	27242604
ETIM-5.0	EC001599
ETIM-6.0	EC001599
ETIM-7.0	EC001599
ETIM-8.0	EC001599
customs tariff number	85176200
EAN	4048879049108
Packaging unit	1

Electrical data | Supply

Bus voltage AS-Interface DC min.	26,5 V
Bus voltage AS-Interface DC max.	31,6 V
Current consumption AS-i port max.	290 mA

Electrical data | Input

Current carrying capacity max.	0,24 A
Short-circuit protected	Yes
Overload resistant	Yes
Type input	for 3-wire sensors or mechanical switches, PNP

Industrial communication | Bus data

Address setting type	Addressing socket, Master
Slave address range	(0), 1 A...31 A, 1 B...31 B

Industrial communication | AS-Interface

Profile (IO.ID.ID2)	2x S-0.A.2
---------------------	------------

Diagnostics

Diagnostic	No voltage
Diagnostic via LED	per module
LED display	Ethernet connection/data traffic

Installation | Connection

Double assignment M12 female	Yes
------------------------------	-----

Device protection | Electrical

Degree of protection (EN IEC 60529)	IP67
-------------------------------------	------

Mechanical data | Mounting data

Height	94 mm
Width	60 mm
Depth	39 mm
Mounting method	geschnappt, screwed
Suitable for mounting type	(EN 60715), mounting rail

Environmental characteristics | Climatic

Operating temperature min.	-20 °C
Operating temperature max.	60 °C
Ambient temperature (storage, transport)	-20 °C ... 70 °C

Connection type 1

Connection type 1	C D
Family construction form	M12
No. of poles	5
Coding	A
Gender	female
Color contact carrier	black
PIN 1	Usens +
PIN 2	DI
PIN 3	Usens -
PIN 4	DI
PIN 5	n.c.