

MVK MPNIO DO16 M12L 4P galvanic separation

MVK ProfiNet, metal

Art.No.: 55165

Weight: 0.925 kg

Country of origin: DE

Model designation: MVK MPNIO DO16 M12L 4P

Digital outputs

DO16 (IRT)

Ethernet 10/100 Mbit/s; M12, D-coded

M12 power, 4-pin, L-coded, 2x max. 12 A

M12, 5-pole, A-coded

Fast-Start-Up (FSU)

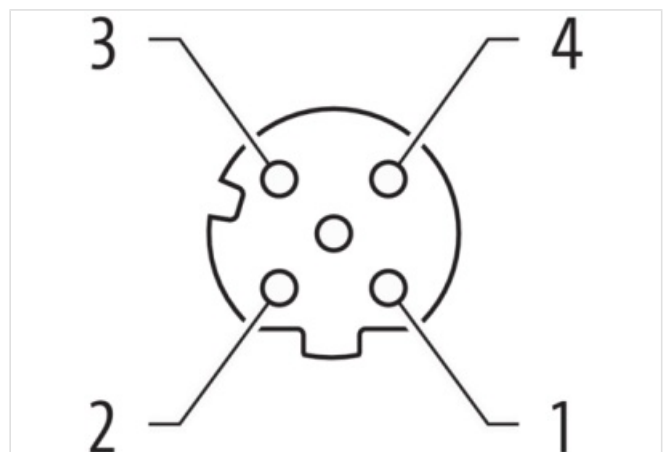
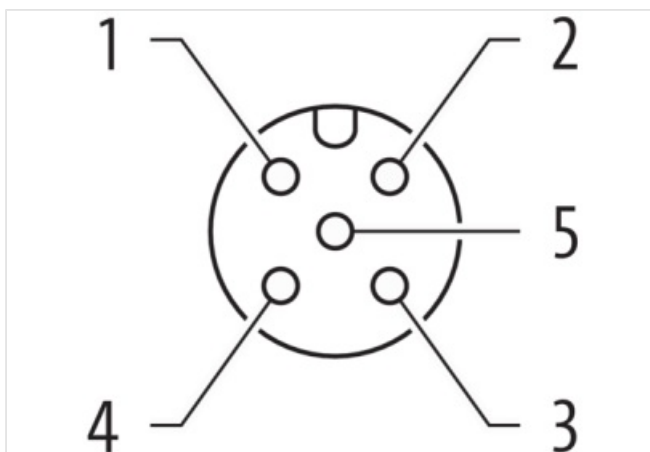
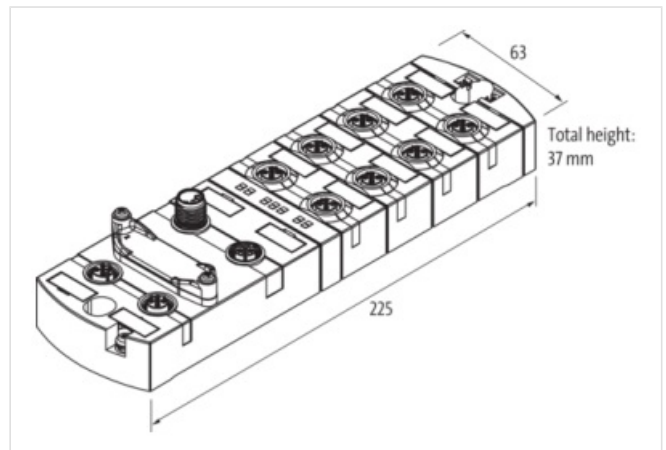
Galvanic isolation

Connection cables are in the online shop under "Connection Technology".

Housing fully potted.

[Link to Product](#)

Illustration



Product may differ from Image



Commercial data

Material short text	MVK MPNIO DO16 M12L 4P
URL Webshop	https://shop.murrelektronik.com/55165
GTIN	4065909041192
ECLASS-6.1	27242604
ECLASS-7.0	27242604
ECLASS-7.1	27242604
ECLASS-8.0	27242604
ECLASS-8.1	27242604
ECLASS-9.0	27242604
ECLASS-9.1	27242604
ECLASS-10.0.1	27242604
ECLASS-10.1	27242604
ECLASS-11.0	27242604
ECLASS-11.1	27242604
ECLASS-12.0	27242604
ECLASS-13.0	27242604
ECLASS-14.0	27242604
customs tariff number	85389099
EAN	4065909041192
Packaging unit	1

Electrical data | Supply

Norm operating voltage	IEC/EN 61131-2
Total current US max.	12 A
Operating voltage UA DC	24 V
Total current UA max.	12 A

Electrical data | Output

Output current per pin max.	2 A
Overload resistant	Yes
Short-circuit protected	Yes

Industrial communication | Bus data

Supported protocol	Profinet
--------------------	----------

Industrial communication | Profinet

Conformance Class	C
addressing	DCP
Netload Class	III
Specification	V2.3
IRT-network communication	Yes
MRP client	Yes
Fast-Start-Up (FSU)	Yes
Fast start up time max.	0,5 s
Shared device/input	Yes
Number of active connections (IO controller) max.	2

Diagnostics

Actuator warning	per channel via LED and BUS
Short circuit diagnosis	Yes
Overload diagnosis	Yes
Cable break	per port
Diagnostic	No voltage, Under voltage
Diagnostic via BUS	per module and channel
Diagnostic via LED	per module and channel

LED display Ethernet connection/data traffic

Device protection | Electrical

Degree of protection (EN IEC 60529) IP67

Mechanical data | Mounting data

Height	42 mm
Width	63 mm
Depth	225 mm
Suitable for mounting type	2-hole screw mounting

Environmental characteristics | Climatic

Operating temperature min.	-25 °C
Operating temperature max.	55 °C
Ambient temperature (storage, transport)	-25 °C ... 70 °C

Connection type 4

Connection type 1	X4-X7
Connection type 2	XD1
Connection type 3	XD2
Connection type 4	XF2
Family construction form	M12
No. of poles	5
Coding	A
Gender	female
Color contact carrier	black
PIN 1	n.c.
PIN 2	DO (UA)
PIN 3	0 V (UA)
PIN 4	DO (UA)
PIN 5	PE
Family construction form	M12
No. of poles	5
Coding	L
Gender	male
Color contact carrier	black
PIN 1	24 V DC (US)
PIN 2	0 V
PIN 3	0 V
PIN 4	24 V DC (UA)
PIN 5	n.c.
Family construction form	M12
No. of poles	4
Coding	L
Gender	female
Color contact carrier	black
PIN 1	24 V DC (US)
PIN 2	0 V
PIN 3	0 V
PIN 4	24 V DC (UA)
Family construction form	M12
No. of poles	4
Coding	D
Gender	female
Color contact carrier	black
Mounting method	inserted, screwed
Tightening torque	0,6 Nm

PIN 1	TD +
PIN 2	RD +
PIN 3	TD -
PIN 4	RD -
PIN 5	n.c.