

IMPACT67 COMPACT MODULE, PLASTIC

Profinet, 16 dig. Out

Art.No.: 55094

Weight: 0.440 kg

Country of origin: DE

Model designation: Impact67 PN DO16

Digital outputs

DO16 - 0.5 A

Ethernet 10/100 Mbit/s; M12, D-coded

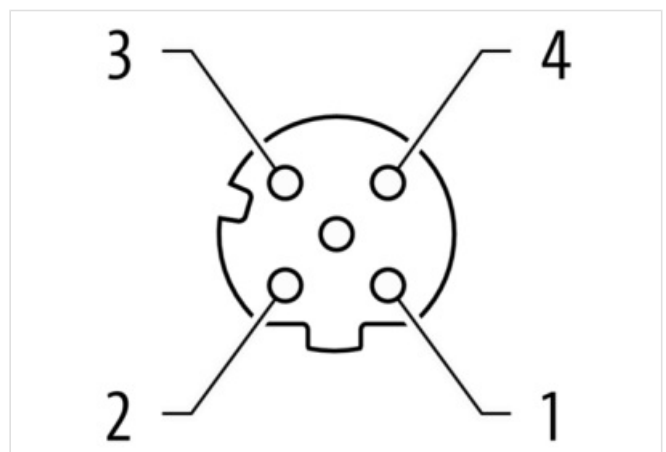
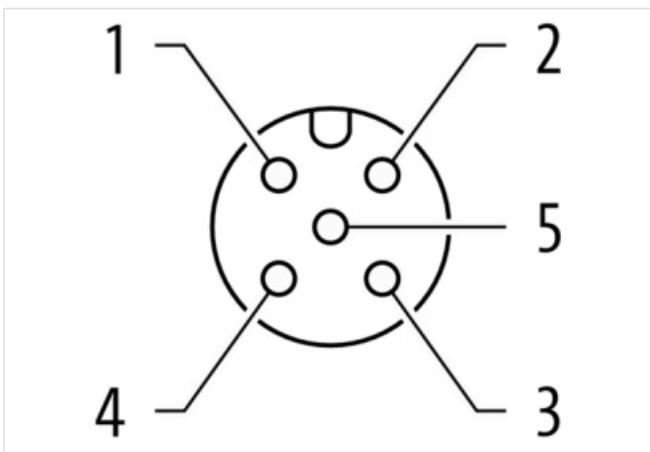
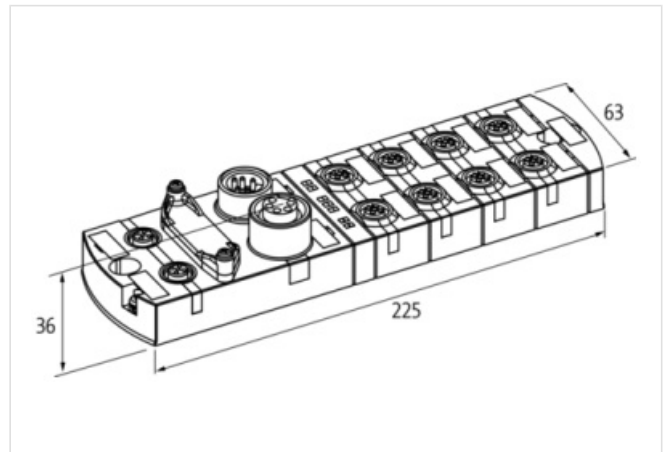
7/8", 5-pole, 2x max. 9 A

M12, 5-pole, A-coded

Connection cables are in the online shop under "Connection Technology".

Housing fully potted.

mounting compatible with I/O modules of the MVK series

[Link to Product](#)**Illustration**

Product may differ from Image

**Commercial data**

The information in this Product-PDF has been compiled with the utmost care.

Liability for the correctness completeness and topicality of the information is restricted to gross negligence. Version: 2026-04-16

Murrelektronik GmbH | Grabenstraße 29 | 71570 Oppenweiler | Fon +49 (71 91) 47-0 | Fax +49 (71 91) 47-491000 | shop@murrelektronik.com | shop.murrelektronik.com

URL Webshop	https://shop.murrelektronik.com/55094
GTIN	4048879051880
Customs tariff number	85389099
ECLASS-6.0	27242604
ECLASS-6.1	27242604
ECLASS-7.0	27242604
ECLASS-7.1	27242604
ECLASS-8.0	27242604
ECLASS-8.1	27242604
ECLASS-9.0	27242604
ECLASS-9.1	27242604
ECLASS-10.0.1	27242604
ECLASS-10.1	27242604
ECLASS-11.0	27242604
ECLASS-11.1	27242604
ECLASS-12.0	27242604
ECLASS-13.0	27242604
ECLASS-14.0	27242604
ETIM-5.0	EC001599
ETIM-6.0	EC001599
ETIM-7.0	EC001599
ETIM-8.0	EC001599
customs tariff number	85389099
EAN	4048879051880
Packaging unit	1

Electrical data | Supply

Total current US max.	9 A
Total current UA max.	9 A

Electrical data | Output

Output current per pin max.	0,5 A
Overload resistant	Yes
Short-circuit protected	Yes

Industrial communication | Profinet

addressing	DCP
------------	-----

Diagnostics

Diagnostic	No voltage, Under voltage
Diagnostic via BUS	per module and channel
Diagnostic via LED	per module and channel
LED display	Ethernet connection/data traffic

Device protection | Electrical

Degree of protection (EN IEC 60529)	IP67
-------------------------------------	------

Mechanical data | Mounting data

Height	39 mm
Width	63 mm
Depth	225 mm
Suitable for mounting type	2-hole screw mounting

Environmental characteristics | Climatic

Operating temperature min.	-25 °C
Operating temperature max.	55 °C
Ambient temperature (storage, transport)	-25 °C ... 70 °C

Connection type 4

Connection type 1	0-7
Connection type 2	Port1, Port2
Connection type 3	Power In
Connection type 4	Power Out
Family construction form	M12
No. of poles	5
Coding	A
Gender	female
Color contact carrier	black
PIN 1	n.c.
PIN 2	DO 10-17
PIN 3	0 V
PIN 4	DO 00-07
PIN 5	PE
Family construction form	M12
No. of poles	4
Coding	D
Gender	female
Color contact carrier	black
Mounting method	inserted, screwed
Tightening torque	0,6 Nm
PIN 1	TD +
PIN 2	RD +
PIN 3	TD -
PIN 4	RD -
PIN 5	n.c.
Family construction form	7/8"
No. of poles	5
Gender	male
Color contact carrier	black
PIN 1	0 V
PIN 2	0 V
PIN 3	PE
PIN 4	24 V DC (US)
PIN 5	24 V DC (UA)
Family construction form	7/8"
No. of poles	5
Gender	female
Color contact carrier	black
PIN 1	0 V
PIN 2	0 V
PIN 3	PE
PIN 4	24 V DC (US)
PIN 5	24 V DC (UA)