

AMMS 10-44/1 OPTO-COUPLER MODULE

IN: 53 VDC - OUT: 45 VDC / 1,2 A

Art.No.: 503398

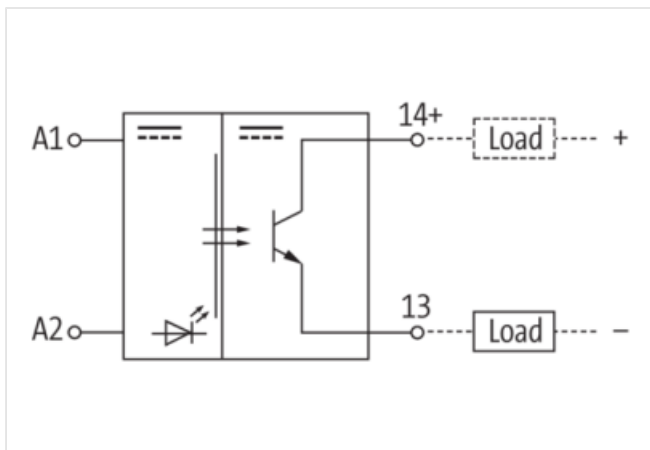
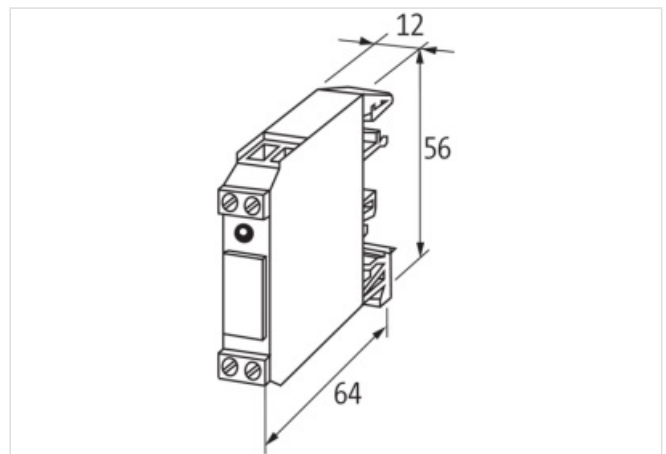
Weight: 0.024 kg

Country of origin: CZ

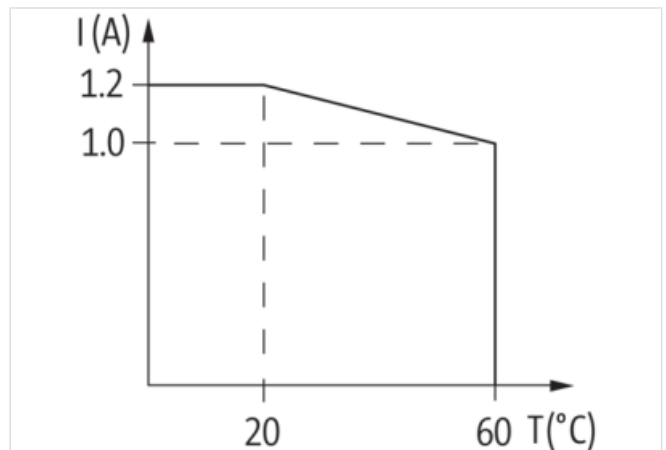
Model designation: OPTOKOPPLER DC-DC

Transistor 1.2 A

10...30 V DC

Link to Product**Illustration**

Product may differ from Image

**Header**

Material short text

OPTOKOPPLER DC-DC

Commercial data

URL Webshop

<https://shop.murrelektronik.com/503398>

GTIN

4048879025041

ECLASS-6.0	27371604
ECLASS-6.1	27371604
ECLASS-7.0	27371604
ECLASS-7.1	27371604
ECLASS-8.0	27371604
ECLASS-8.1	27371604
ECLASS-9.0	27371604
ECLASS-9.1	27371604
ECLASS-10.0.1	27371604
ECLASS-10.1	27371604
ECLASS-11.0	27371604
ECLASS-11.1	27371604
ECLASS-12.0	27371604
ECLASS-13.0	27371604
ECLASS-14.0	27371604
ETIM-5.0	EC001504
ETIM-6.0	EC001504
ETIM-7.0	EC001504
ETIM-8.0	EC001504
customs tariff number	85414900
EAN	4048879025041
Packaging unit	1

Electrical data | Input

Input voltage DC min.	10 V
Input voltage DC max.	30 V
Input voltage OFF DC min.	0 V
Input voltage OFF DC max.	3 V
Input current max.	8 mA

Electrical data | Output

Voltage drop DC max.	1,2 V
Quiescent current OFF max.	0,3 mA
Switch on delay max.	65 µs
Switch off delay max.	65 µs
Voltage switching DC min.	4,5 V
Switching voltage DC max.	30 V
Switching current min.	1 mA
Switching current max.	1,2 A
Switching frequency ohmic max.	500 Hz

Diagnostics

Status indication LED	red
-----------------------	-----

Device protection | Electrical

Rated insulation voltage	3.750 V
--------------------------	---------

Device protection | Media

Flame resistance	flame retardant
------------------	-----------------

Mechanical data | Material data

Material housing	Plastic
Color housing	black

Mechanical data | Mounting data

Mounting method	geschnappt
Suitable for mounting type	(EN 60715), mounting rail

Environmental characteristics | Climatic

Operating temperature min.	-20 °C
----------------------------	--------

Operating temperature max.	60 °C
----------------------------	-------

Connection type 2

Connection type 1	Input
-------------------	-------

Connection type 2	Output
-------------------	--------

Family construction form	terminal
--------------------------	----------

No. of poles	2
--------------	---

Gender	female
--------	--------

Connection	Screw terminals SK
------------	--------------------

PIN 1	A 1
-------	-----

PIN 2	A 2
-------	-----

Family construction form	terminal
--------------------------	----------

No. of poles	2
--------------	---

Gender	female
--------	--------

Connection	Screw terminals SK
------------	--------------------

PIN 1	13
-------	----

PIN 2	+ 14
-------	------